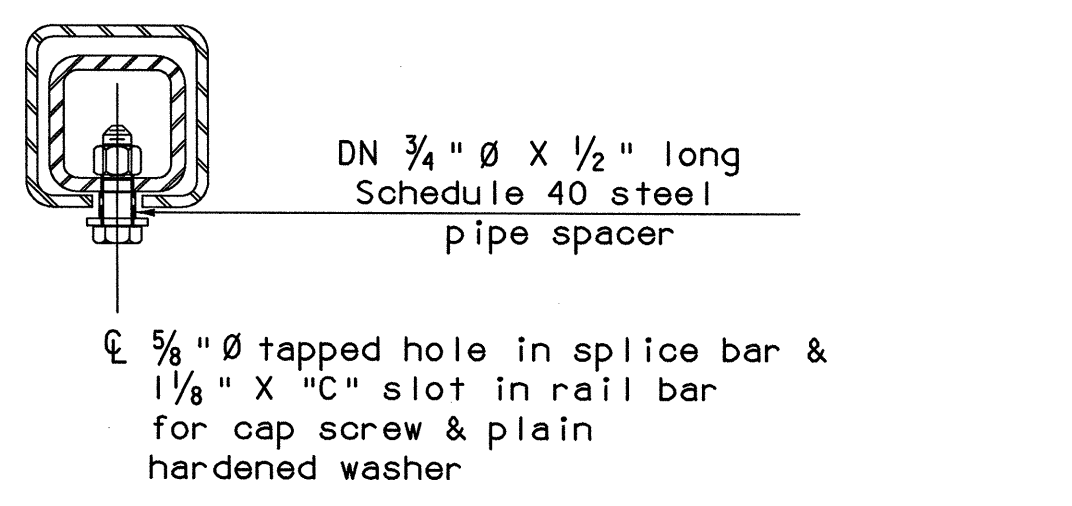


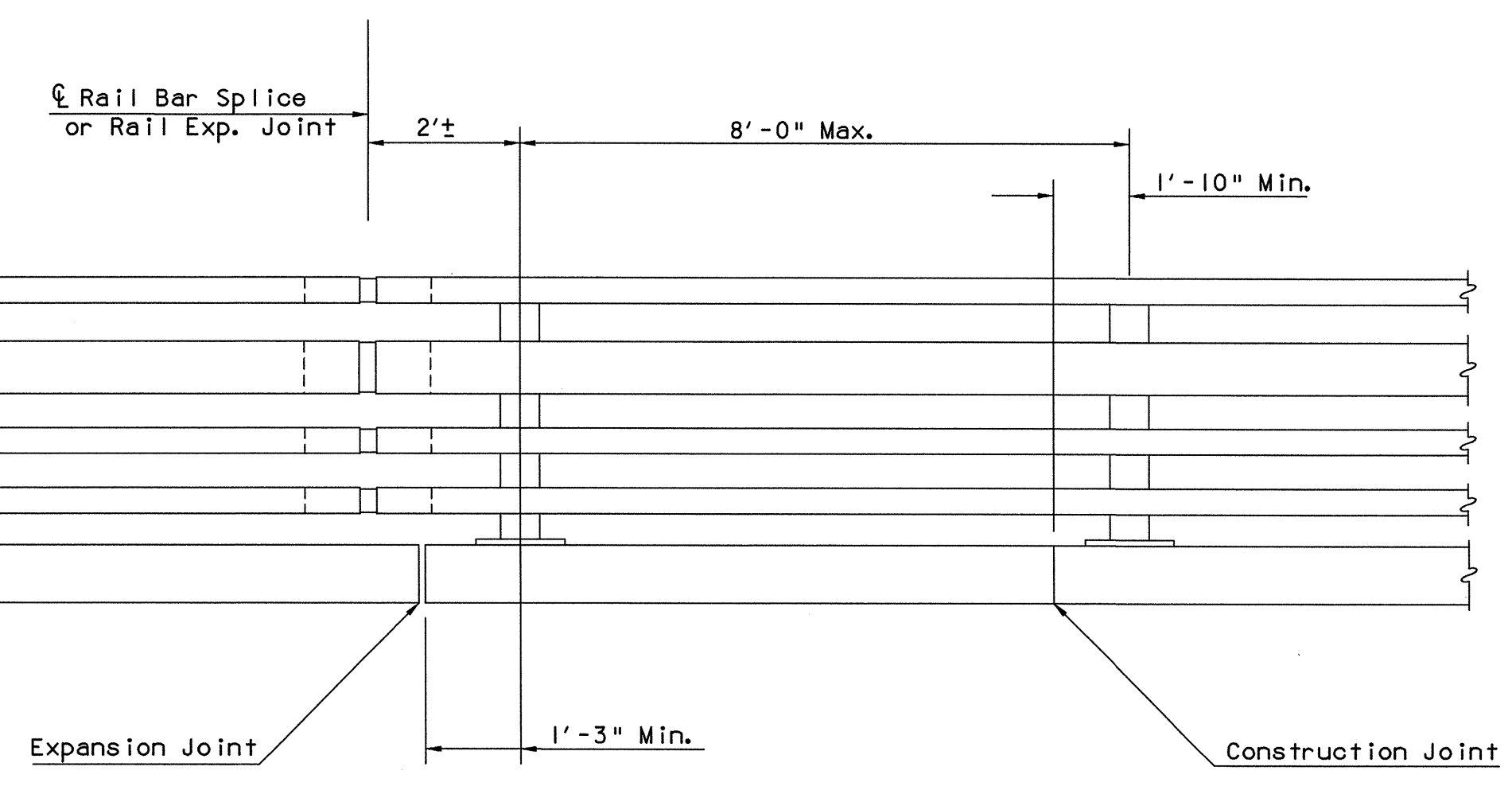
RAIL BAR SPLICE SECTION



EXPANSION JOINT SECTION
For details not shown, see "Rail Bar Splice Section"

SPLICE & EXPANSION JOINT TABLE					
T	A	B	C	L	X
Splice	4"	2"	--	20"	3/4"
≤ 4"	4"	2"	2 1/2"	20"	2 1/2"
> 4" ≤ 6 1/2"	5 1/2"	2 3/8"	3 1/2"	23 3/4"	4"
> 6 1/2" ≤ 9"	6 1/2"	3 3/8"	9"	27 3/4"	5"
> 9" ≤ 13"	8 1/2"	4 3/8"	11"	33 3/4"	7"

T = Total Movement * = Single Slot



BRIDGE RAILING ELEVATION

NOTES

- All work and materials shall conform to the provisions of Section 525 - Railings of the Standard Specifications for Construction.
- Tubing and posts shall meet the requirements of Section 732 - Railing materials of the Standard Specifications for Construction.
- All exposed cut or sheared edges shall be rounded to a 1/16" radius and be free of burrs.
- Rail posts shall be set normal to grade.
- Sections of rail bar shall be attached to a minimum of two [2] rail posts and preferably to four [4] posts.
- Rail bar expansion joints shall be provided in any rail bay spanning a superstructure expansion joint. Rail expansion joint width shall be "X" at 45 °F and will be adjusted in the field by the Engineer.
- All parts shall be galvanized after fabrication in accordance with AASHTO M111, except that hardware shall meet the requirements of AASHTO M232.
- Rail posts anchoring nuts shall be tightened to a snug fit and given an additional 1/8 turn.
- Rail bars shall be attached using 3/4" Ø full diameter body AASHTO M164 (Type 1) round head bolts inserted through the face of the bar. Holes in posts shall be 1/16" larger than the bolt size.
- Holes in rails for rail bar attachment may be field - drilled. Holes shall be coated with an approved zinc - rich paint prior to erection.
- If there is a conflict between these Standard Details and the Design Drawings, the requirements of the Design drawings shall be followed.
- Any bending of rail shall be by shop procedure only.
- The fabricator shall submit shop drawings including welding procedures to the Structures Section for approval in accordance with the provisions of 506.04, shop drawings. All welding shall conform with section 506.10.
- The drop-weight tear test in section 732 shall not apply to the structural tubing on this standard.
- See Standard BR3-97 for snow fence details. Adjust u-bolt spacing to accommodate 4-bar bridge rail.
- See sheet 12B for reinforcing details in sidewalk.
- See sheet 26 for bridge rail layout and additional notes and details.

MATERIALS

Rail bars.....ASTM A500, Grade B or ASTM A501
 Rail posts.....ASTM A709/A709M, Grade 50
 All other shapes & plates.....ASTM A709/A709M, Grade 36
 Anchor studs.....ASTM A449
 All other bolts [unless noted].....ASTM A307
 Nuts for AASHTO M164 bolts shall comply with AASHTO M291. Nuts for anchor studs shall comply with ASTM A563.
 Washers shall comply with AASHTO M293 (ASTM F436) specification.
 1/8" pad shall comply with standard specification subsection 731.01 or 731.02.

STATE OF VERMONT
AGENCY OF TRANSPORTATION

Town Of SOUTH BURLINGTON	Bridge No. 68
Highway No. U.S. 2	Log Sta.
	Surv. Sta.
U.S. 2 OVER I-89	
N.E.T.C. BRIDGE RAIL - 4 RAIL	
Designed By VAOT	Drawn By C. L. CILLEY
Checked By VAOT	Bridge Design Supervisor
Date 1/00	Date
Project SOUTH BURLINGTON	Project No. IM DECK (36)
VHB Cad Drawing No. BR-119	Date 1/00
Bridge Sheet No.	Sheet 24 of 75