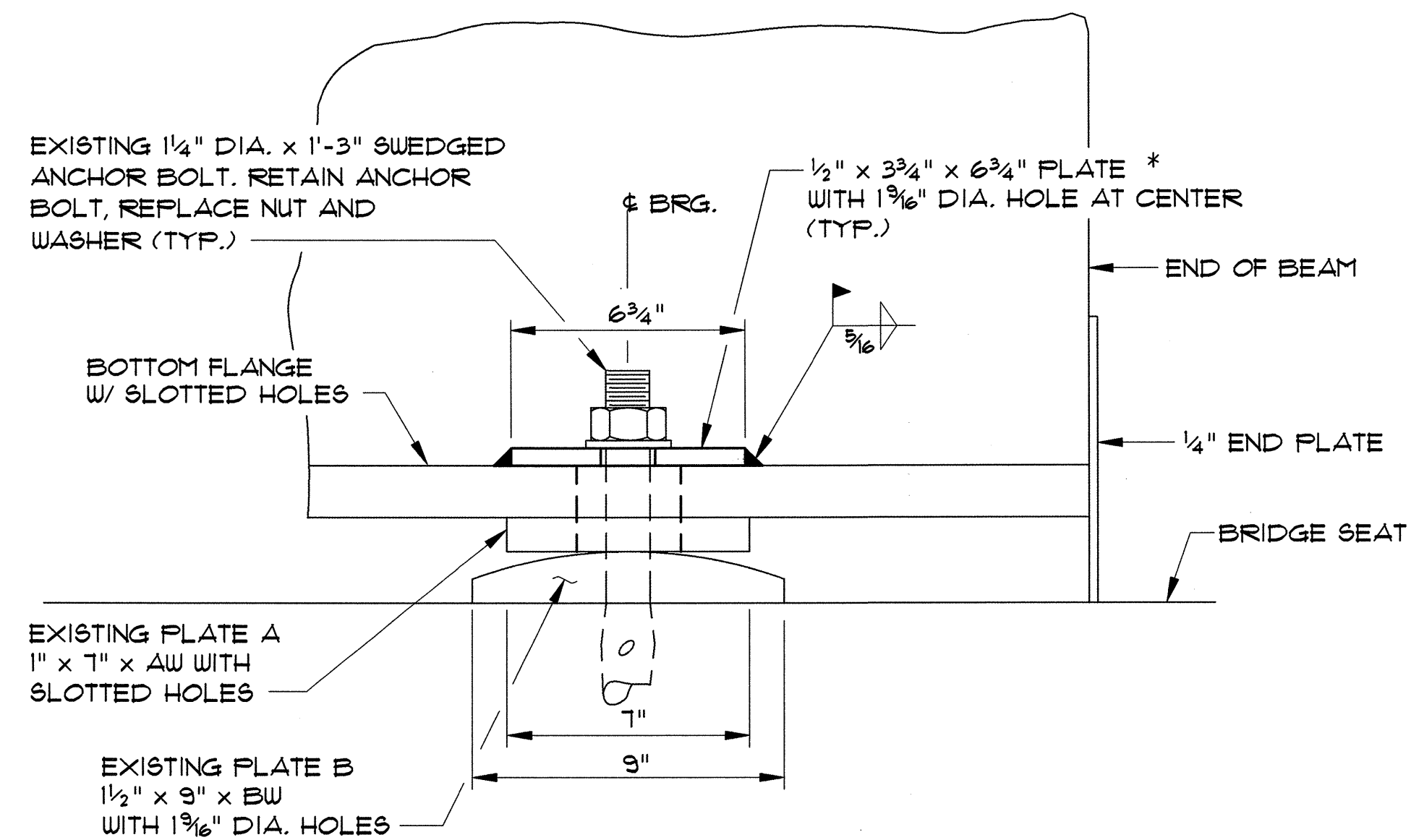
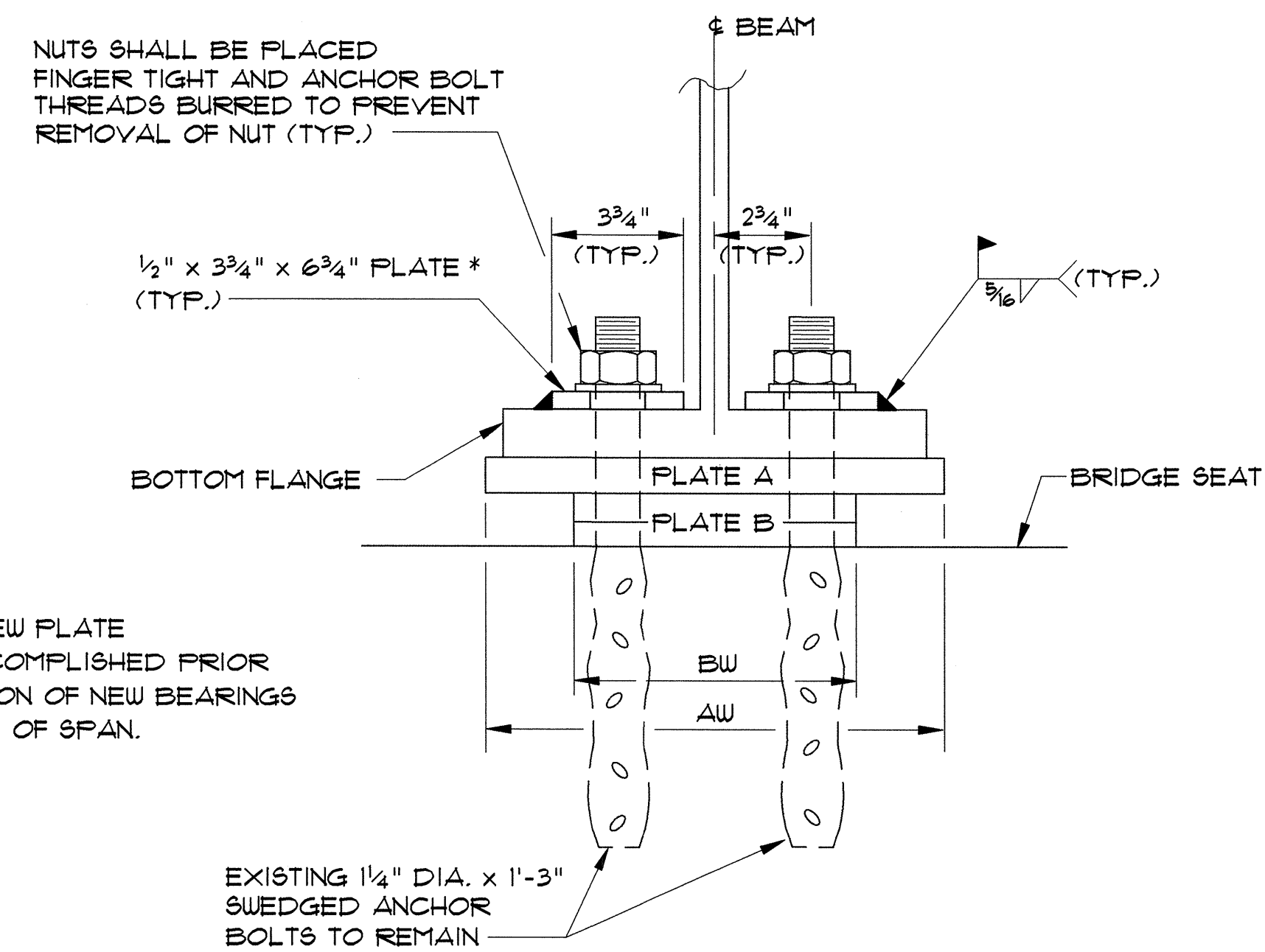


PLAN VIEW
NTS

BRIDGE NO.	ABUT. NO.	BEAM LINE	BEAM	SPAN LENGTH	BOTT. FLG. WIDTH (BFW)	PLATE A WIDTH (AW)	PLATE B WIDTH (BW)	Δ
68	1	1-13	36WF150	54'	12"	13"	10"	85°03'12"
TOTAL NO. OF BRGS. = 13								



SECTION A-A
NTS



* WELDING OF NEW PLATE SHALL BE ACCOMPLISHED PRIOR TO INSTALLATION OF NEW BEARINGS AT OTHER END OF SPAN.

SECTION B-B
NTS

**DETAILS FOR MODIFYING EXISTING EXPANSION BEARINGS
TO FIXED BEARINGS AT ABUTMENTS**

**STATE OF VERMONT
AGENCY OF TRANSPORTATION**

Town Of	SOUTH BURLINGTON	Bridge No.	68
Highway No.	U.S. 2	Log Sta.	
		Surv. Sta.	

U.S. 2 OVER I-89

BEARING TREATMENT DETAIL 'D'

Designed By	T.S. BRYANT	Drawn By	E.J. MASSE
Checked By	S.M. HODGDON	Bridge Design Supervisor	C.D. BAKER
Date	1/00	Date	1/00

PROJECT	SOUTH BURLINGTON	PROJECT NO.	IM DECK (36)
---------	------------------	-------------	--------------

VANASSE HANGEN BRUSTLIN, INC.

VHB Cad Drawing No.	50929BTD	Date	1/00
Bridge Sheet No.		Sheet	21 of 15