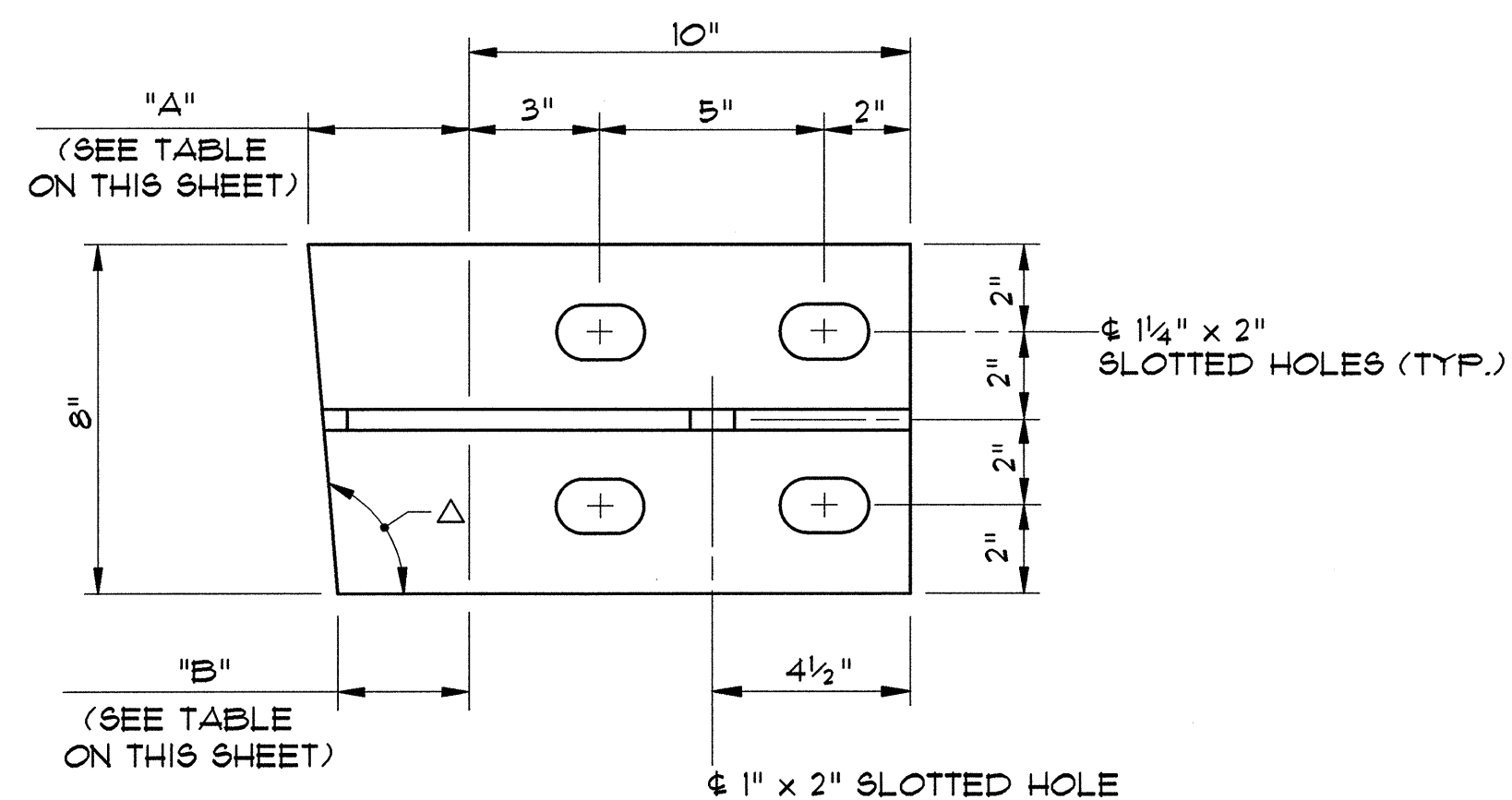


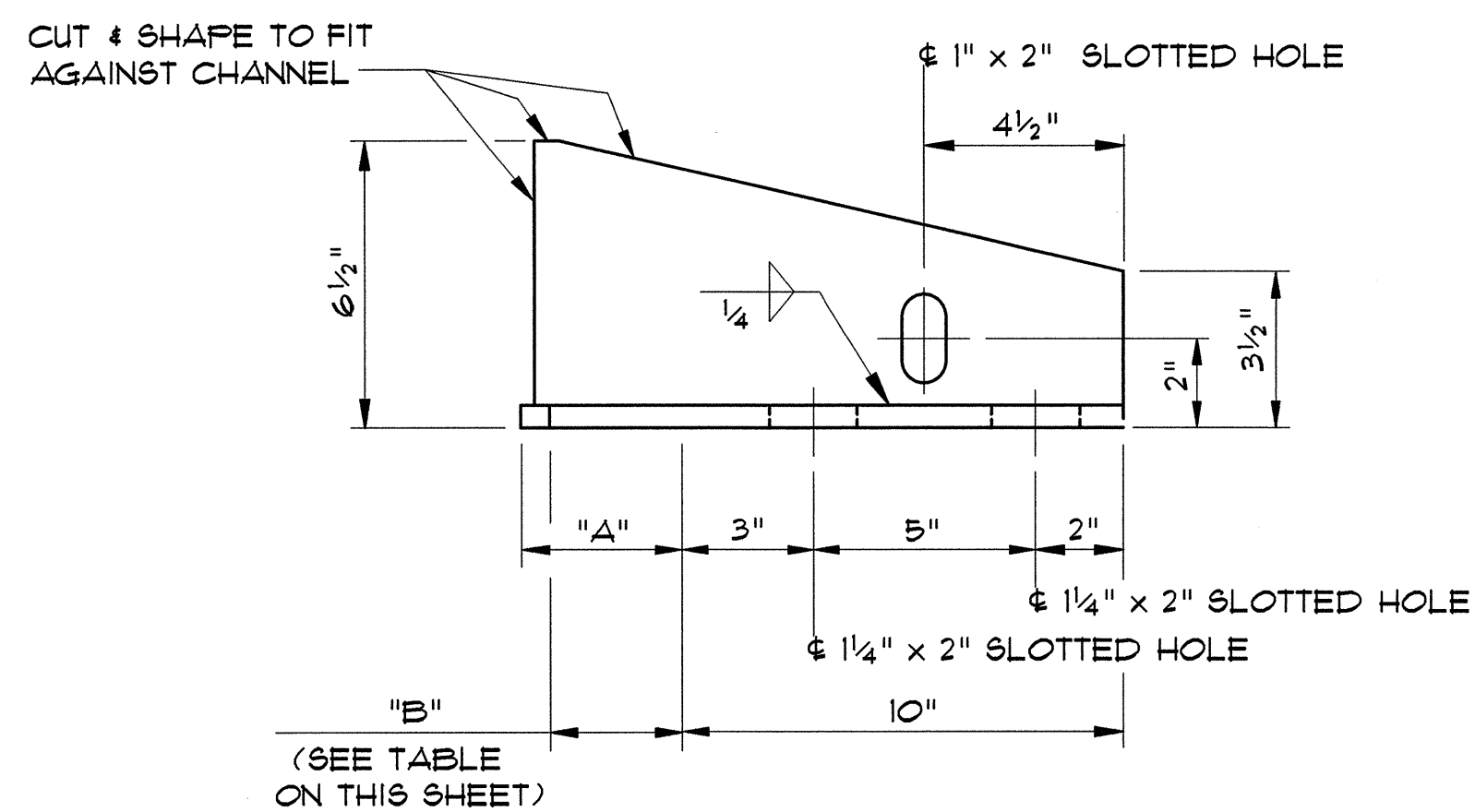
BEAM BRACKET PLAN

NTS



BEAM BRACKET PLAN

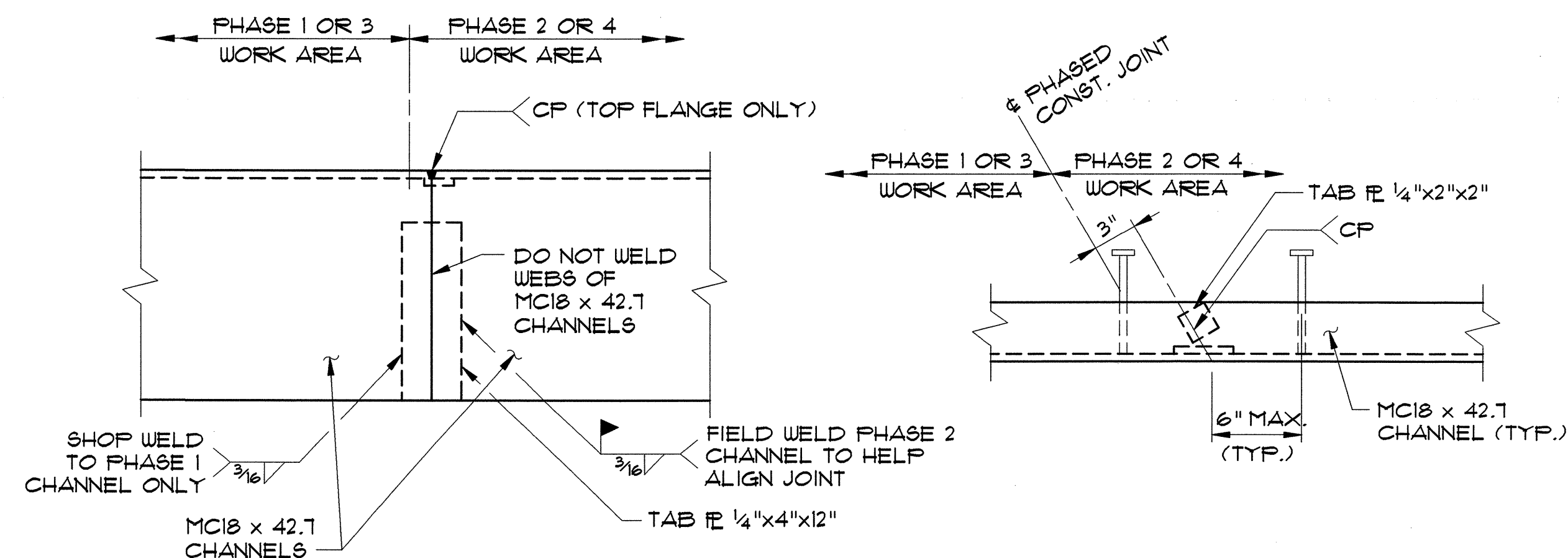
NTS



BEAM BRACKET ELEVATION

NTS

PIER NO.	SPAN NO.	SKEW ANGLE (Δ)	"A" DISTANCE	"B" DISTANCE
1	1	94°50'48"	3 3/8"	3"
	2	93°59'36"	3 3/8"	3"
2	2	93°59'36"	3 3/8"	3"
	3	93°00'24"	3 3/8"	3"
3	3	93°00'24"	3 3/8"	3"
	4	92°07'12"	3 1/4"	3"



**FIELD SPLICE DETAILS
AT PHASED CONSTRUCTION JOINTS**

NTS

PIER EXPANSION (ARMORED) JOINT NOTES:

1. THE FINAL FINISH OF THE EXPANSION DEVICE SHALL BE COVERED DURING THE PLACING OF THE CONCRETE HEADERS.
2. ALL STEEL COMPONENTS SHALL BE AASHTO M270 GRADE 36 GALVANIZED OR METALIZED PER SUBSECTION 506.15 (a) OR (b) OF THE GENERAL SPECIAL PROVISIONS FOR ALL PROJECTS UNLESS OTHERWISE NOTED.
3. ITEM 516.10, "BRIDGE EXPANSION JOINT (ARMORED JOINT)" SHALL INCLUDE FABRICATION OF THE COMPLETE JOINT ASSEMBLY INCLUDING ALL STEEL CHANNELS, PLATES, WELDED STUDS OR RODS, PVC DRAIN TUBES, AND ANY OTHER MISCELLANEOUS MATERIAL.
4. THE CHANNELS SHALL BE FURNISHED AS ONE CONTINUOUS PIECE (NO SPLICES), EXCEPT AT CHANGES IN CROSS SLOPE AND PHASED CONSTRUCTION JOINTS, WHERE THE CHANNEL FLANGES SHALL BE FIELD SPLICED AS SHOWN. THE CONTRACTOR SHALL GRIND THE FIELD WELD FLUSH AND APPLY COLD ZINC PAINT TO DAMAGED GALVANIZED SURFACES.
5. SEE DECK REHABILITATION NOTE 1 ON SHEET 9.

SHEET NOTES:

1. ALL PLATES SHALL BE 1/2" THICK, UNLESS OTHERWISE NOTED.
2. DIMENSIONS "A" AND "B" ARE BASED ON AN ASSUMED DIMENSION OF 3" FROM Φ PIER TO END OF BEAM. THE CONTRACTOR SHALL FIELD VERIFY THE Φ PIER TO END OF BEAM DIMENSION AND ADJUST DIMENSIONS "A" AND "B" AS NECESSARY.

**STATE OF VERMONT
AGENCY OF TRANSPORTATION**

Town Of	SOUTH BURLINGTON	Bridge No.	68
Highway No. U.S.	2	Log Sta.	
		Surv. Sta.	

U.S. 2 OVER I-89

PIER EXPANSION JOINT REPAIR DETAILS & NOTES

Designed By	B.J. MASSE	Drawn By	B.J. MASSE
Checked By	T.S. BRYANT	Date	1/00
		Bridge Design Supervisor	C.D. BAKER
		Date	1/00

PROJECT	SOUTH BURLINGTON	PROJECT NO.	IM DECK (36)
---------	------------------	-------------	--------------

VHB Cad Drawing No.	50929EJRN	Date	1/00
Bridge Sheet No.		Sheet	16 of 15

VANASSE HANGEN BRUSTLIN, INC.