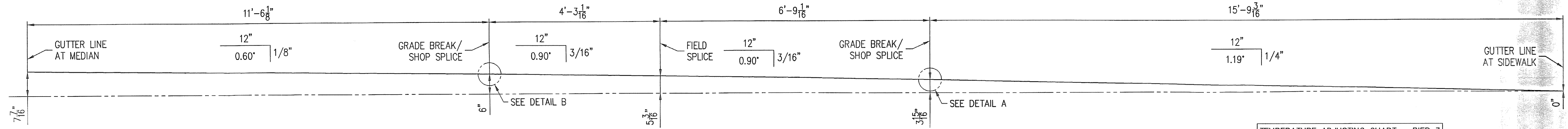


NOTE: DIMENSIONS ARE TAKEN ALONG HEEL OF CHANNEL.

NOTE: DIMENSIONS IN PLAN VIEW ARE GIVEN ALONG SLOPE

PLAN VIEW - EXPANSION JOINT
(PIER 3 - EASTBOUND)



ELEVATION VIEW
(ELEVATIONS TAKEN ALONG C/L OF JOINT)

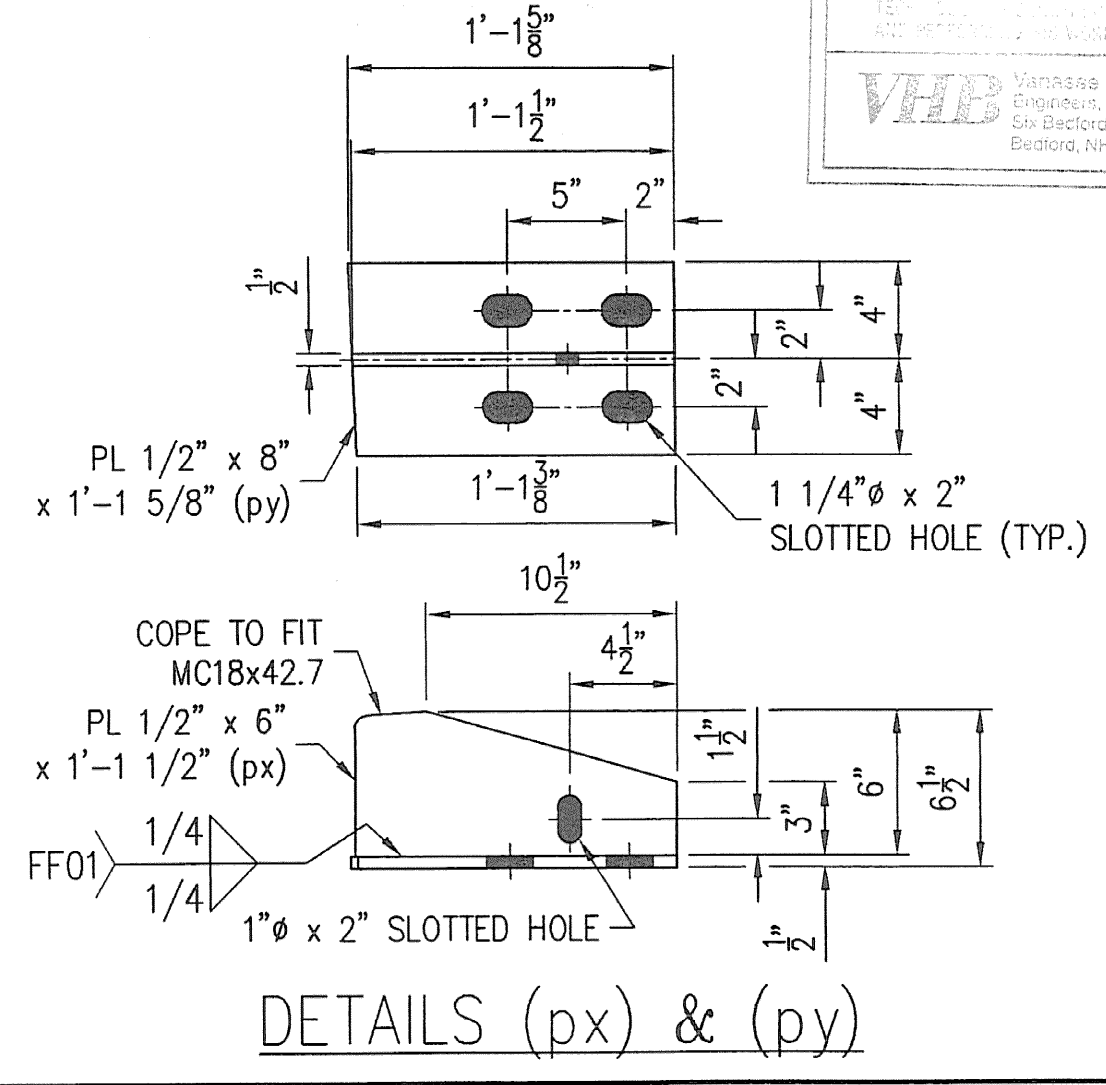
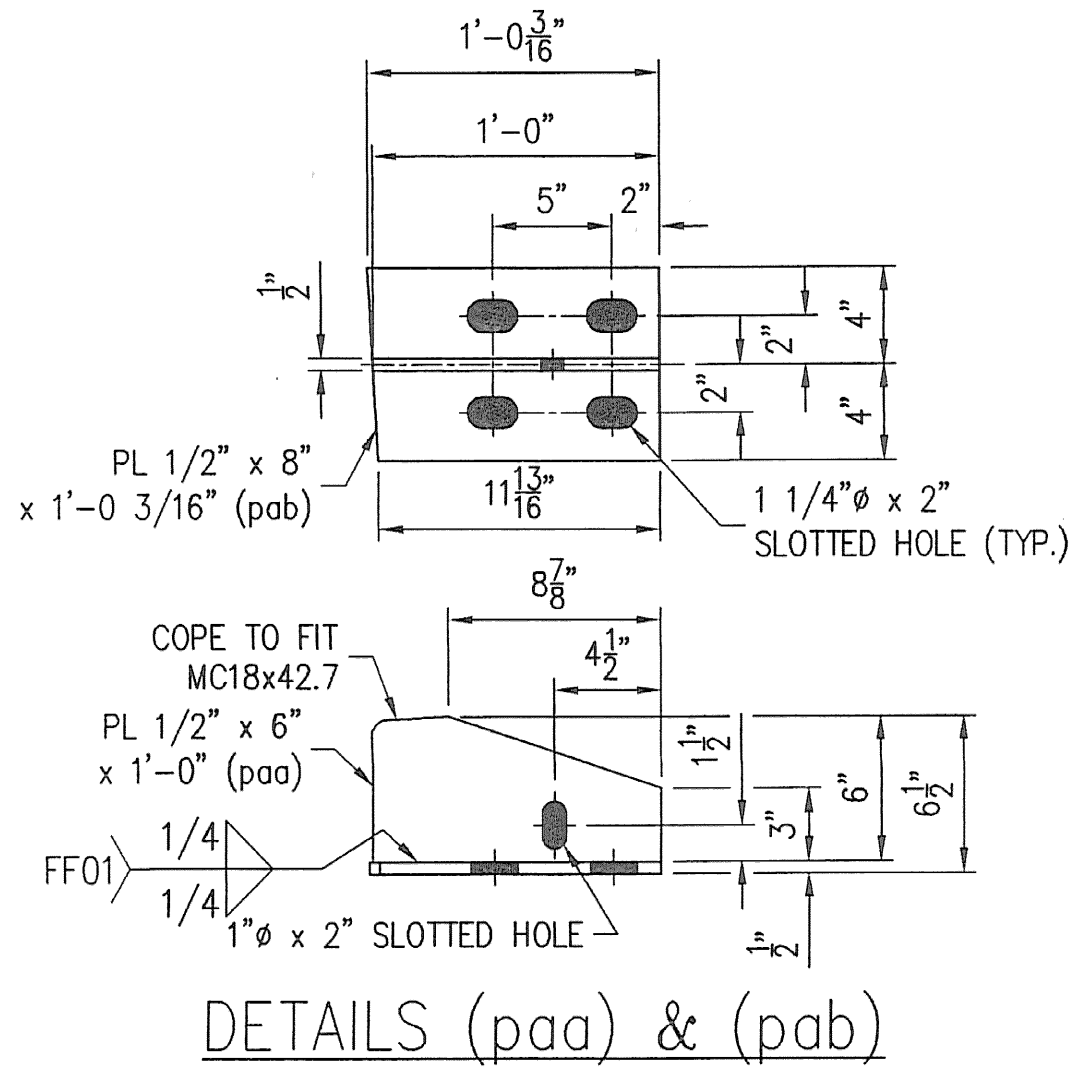
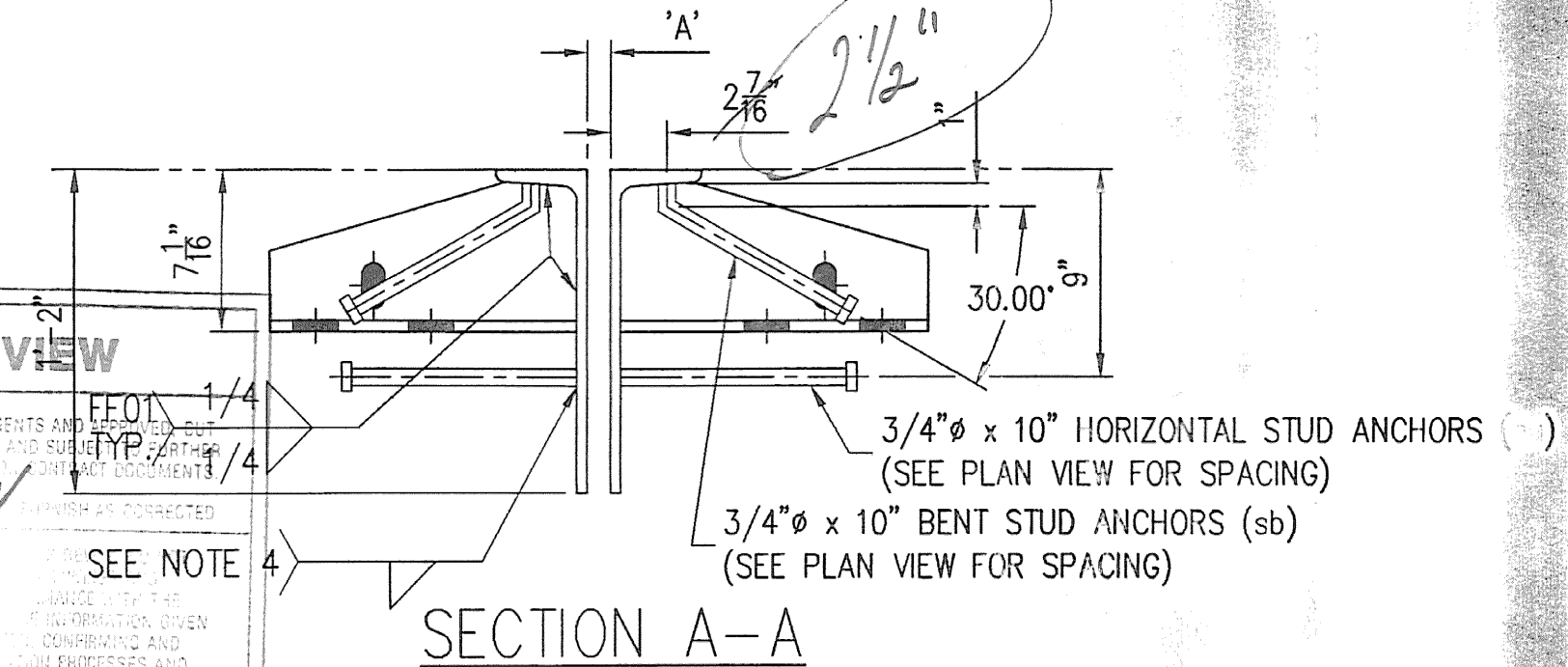
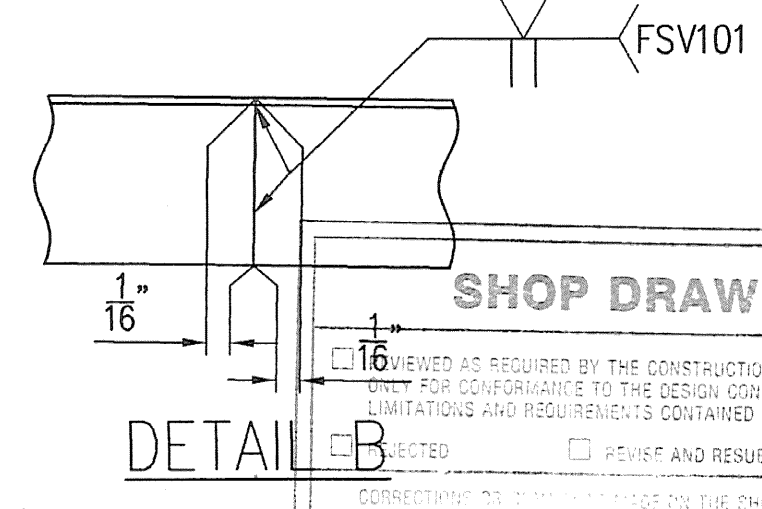
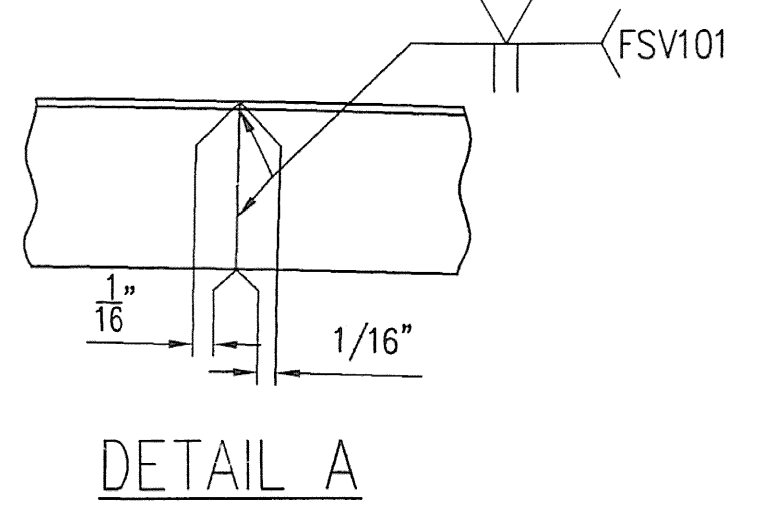
CONTRACTOR NOTE:
ALL SURFACES OF STEEL DECK JOINTS WHICH ARE TO HAVE CONCRETE PLACED AGAINST THEM, SHALL BE COATED WITH EPOXY BONDING COMPOUND. EPOXY BONDING COMPOUND TO BE PROVIDED BY THE CONTRACTOR.

APPROVER NOTE:
STOOL LENGTHS HAVE BEEN REVISED PER CONTRACTORS FIELD MEASUREMENTS TAKEN JANUARY 19, 2001.

| TEMPERATURE ADJUSTING CHART - PIER 3 | | | | |
|--------------------------------------|-----|-----|-----|-----|
| TEMPERATURE | 45° | 60° | 75° | 90° |
| DIM 'A' | 1 | 7/8 | 7/8 | 3/4 |

SEE SHEET 7 FOR GENERAL NOTES

| LINE NO. | NO. REQ'D. | DESCRIPTION | LENGTH | MK | REMARKS | WGHT. |
|----------|------------|-----------------------|-------------|-----|-----------------------------------|-------|
| 1 | 1 | EXPANSION JOINT ASS'Y | | 6A | HDG | |
| 2 | 1 | MC18x42.7 | 11'-6 1/8" | xc6 | REMOVE FLANGE | 11-8 |
| 3 | 1 | MC18x42.7 | 11'-6 5/16" | xb6 | REMOVE FLANGE | 11-8 |
| 4 | 1 | MC18x42.7 | 4'-3 1/4" | xc6 | REMOVE FLANGE | 11-8 |
| 5 | 1 | MC18x42.7 | 4'-3" | xd6 | REMOVE FLANGE | 11-8 |
| 6 | 3 | PL 1/2 x 6 | 1'-1 1/2" | px | SHAPE CUT / COPE TO FIT MC18x42.7 | 19-16 |
| 7 | 3 | PL 1/2 x 8 | 1'-1 3/8" | py | SHAPE CUT | 19-16 |
| 8 | 3 | PL 1/2 x 6 | 1'-0" | paa | SHAPE CUT / COPE TO FIT MC18x42.7 | 19-16 |
| 9 | 3 | PL 1/2 x 8 | 1'-0 1/16" | pab | SHAPE CUT | 19-16 |
| 10 | 18 | WS 3/4 x 10 | | sa | 17 | 29-19 |
| 11 | 18 | WS 3/4 x 10 | | sb | 17 / BEND | 29-19 |
| 12 | 2 | FB 1/4 x 2 | 0'-2" | fa | | 16-29 |
| 13 | 1 | FB 1/4 x 4 | 1'-0" | fb | | 16-36 |
| 14 | 1 | FB 1/4 x 4 | 1'-0" | fbb | | 16-36 |
| 15 | | | | | | |
| 16 | | | | | | |
| 17 | | | | | | |
| 18 | | | | | | |
| 19 | 1 | EXPANSION JOINT ASS'Y | | 6B | HDG | |
| 20 | 1 | MC18x42.7 | 6'-9 1/16" | x6 | REMOVE FLANGE | 11-8 |
| 21 | 1 | MC18x42.7 | 6'-9 3/16" | xq6 | REMOVE FLANGE | 11-8 |
| 22 | 1 | MC18x42.7 | 15'-9 7/16" | xh6 | REMOVE FLANGE | 11-8 |
| 23 | 1 | MC18x42.7 | 15'-9 3/16" | xk6 | REMOVE FLANGE | 11-8 |
| 24 | 3 | PL 1/2 x 6 | 1'-1 1/2" | px | SHAPE CUT / COPE TO FIT MC18x42.7 | 19-16 |
| 25 | 3 | PL 1/2 x 8 | 1'-1 3/8" | py | SHAPE CUT | 19-16 |
| 26 | 3 | PL 1/2 x 6 | 1'-0" | paa | SHAPE CUT / COPE TO FIT MC18x42.7 | 19-16 |
| 27 | 3 | PL 1/2 x 8 | 1'-0 1/16" | pab | SHAPE CUT | 19-16 |
| 28 | 26 | WS 3/4 x 10 | | sa | 25 | 29-19 |
| 29 | 27 | WS 3/4 x 10 | | sb | 26 / BEND | 29-19 |
| 30 | | | | | | |
| 31 | | | | | | |
| 32 | | | | | | |
| 33 | | | | | | |



SHOP DRAWING REVIEW

REVIEWED AS REQUIRED BY THE CONSTRUCTION CONTRACT DOCUMENTS AND PER THE REQUIREMENTS OF THE DESIGN SPECIFICATIONS FOR BRIDGE CONSTRUCTION AND THE REQUIREMENTS CONTAINED IN THE SUBSEQUENT REVISIONS.

DATE: 11/28/00

BY: [Signature]

FOR: [Signature]

| REV. | DESCRIPTION | DATE | BY |
|------|--------------------------------|----------|-----|
| 1 | GENERAL REVISION PER APPROVAL. | 11/28/00 | SLB |
| 2 | | | |
| 3 | | | |
| 4 | | | |
| 5 | | | |
| 6 | | | |
| 7 | | | |
| 8 | | | |
| 9 | | | |
| 10 | | | |
| 11 | | | |
| 12 | | | |
| 13 | | | |
| 14 | | | |
| 15 | | | |
| 16 | | | |
| 17 | | | |
| 18 | | | |
| 19 | | | |
| 20 | | | |
| 21 | | | |
| 22 | | | |
| 23 | | | |
| 24 | | | |
| 25 | | | |
| 26 | | | |
| 27 | | | |
| 28 | | | |
| 29 | | | |
| 30 | | | |
| 31 | | | |
| 32 | | | |
| 33 | | | |

ANY AND ALL BACKCHARGES WILL BE REJECTED UNLESS WRITTEN CONSENT IS GIVEN BY LEWIS ENGINEERING COMPANY PRIOR TO ANY WORK PERFORMED FOR OUR ACCOUNT. SUCH REJECTION MEANS THAT INVOICES WILL NOT BE HONORED OR DEDUCTIONS FROM PAYMENT WILL BE CHARGED BACK.

LEWIS ENGINEERING COMPANY
4201 NOREX DRIVE - CHASKA, MINNESOTA 55318 - (612) 388-3000

PROJECT - BRIDGE NO. 68 SOUTH BURLINGTON U.S. 2 OVER I-9
STATE PROJECT - IM DECK (36)
FEDERAL PROJECT -
CUSTOMER - J A McDONALD
LOCATION - CHITTENDEN COUNTY, VERMONT
DESCRIPTION - EXPANSION JOINT DETAILS EASTBOUND AT PIER 3

W.P. chkd JJK
Drawn By SLB
Chkd. By AJC
Date: 11/21/00

SHEET NO. 6 OF 8 Job. No. : 978.104.1