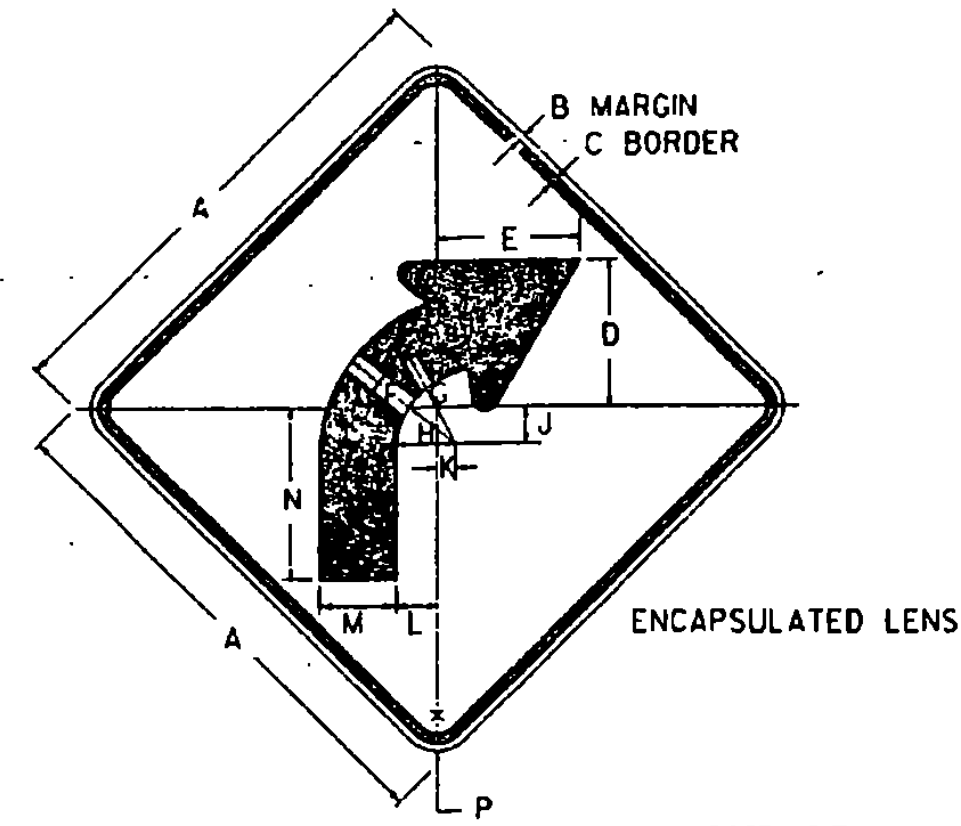


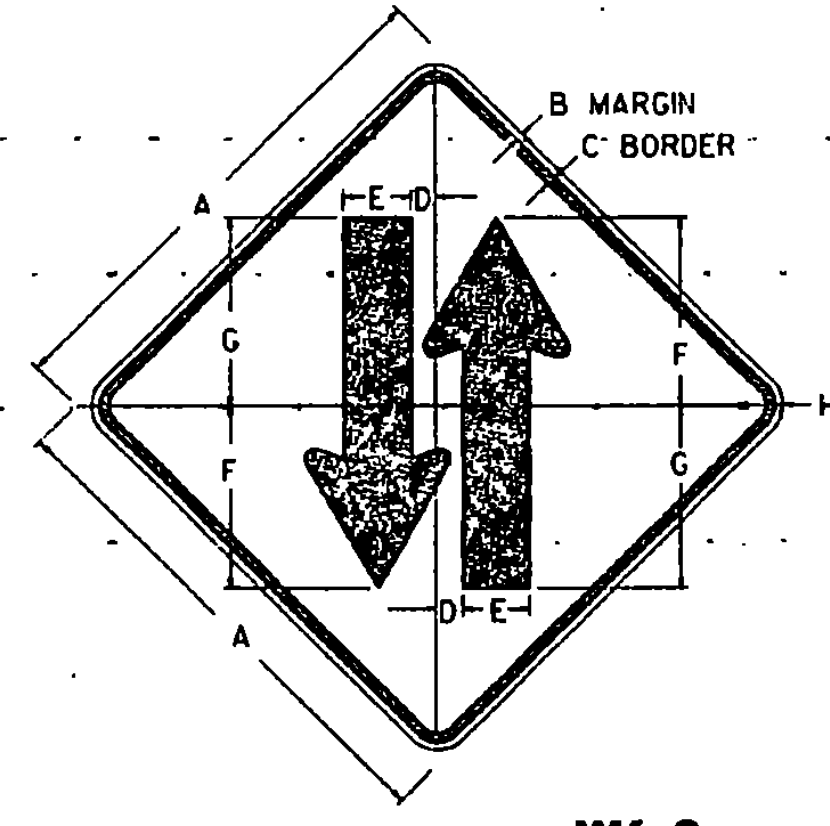
W1-1R

SIGN	DIMENSIONS (INCHES)												
	A	B	C	D	E	F	G	H	J	K	L	M	N
BIKE	18	3/8	3/8	7/4	2 1/4	2 3/8	5 1/8	3 3/4	1 1/8	1	5/8	2 1/2	1 1/2
MIN.	24	3/8	3/8	9 3/8	3	3 1/2	7 3/4	5	2 1/2	1 1/2	1 1/4	3 1/4	1 1/2
STD.	30	1/2	3/4	12	3 3/4	4 3/8	9 3/8	6 3/4	3	1 7/8	1	4 1/8	1 7/8
EXPWY.	36	5/8	7/8	14 3/8	4 1/2	5 1/4	11 3/8	7 1/2	3 3/8	2 1/4	1 1/4	4 3/8	2 1/4
SPECIAL	48	3/4	1 1/4	19 3/8	6	7	15 1/2	10	4 3/8	3	1 5/8	6 1/2	3



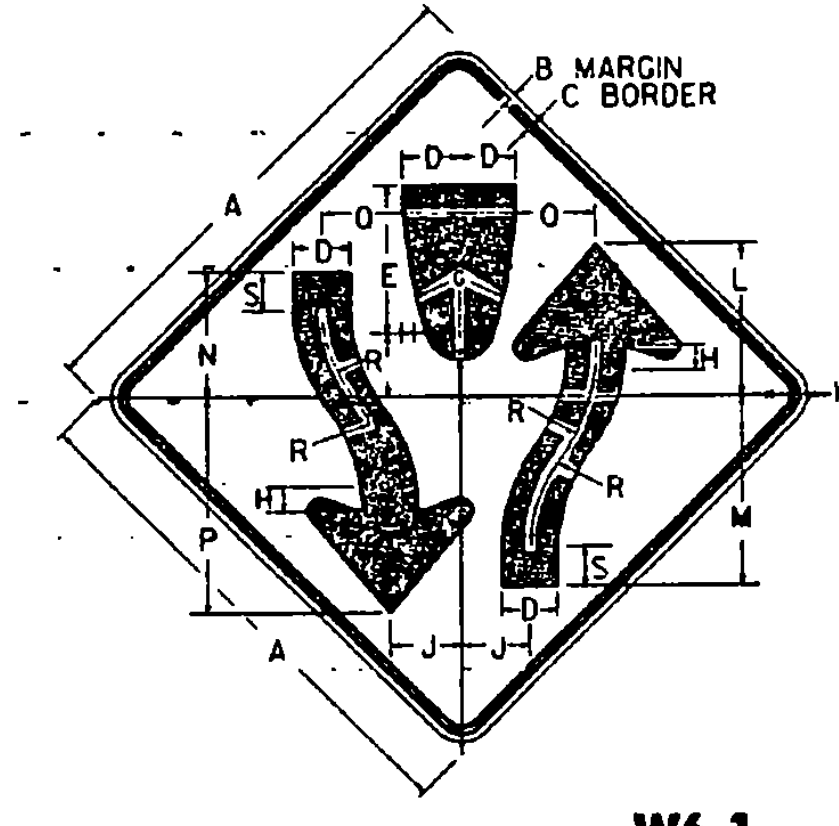
W1-2R

SIGN	DIMENSIONS (INCHES)													
	A	B	C	D	E	F	G	H	J	K	L	M	N	P
BIKE	18	3/8	3/8	5 3/8	5 1/2	6	4 3/4	3 3/8	1 3/4	1 1/4	2	2 3/8	6 1/4	1 1/2
MIN.	24	3/8	3/8	7 1/8	7 1/4	8	6 1/4	4 1/2	2 3/8	1 3/4	2 3/4	3 1/2	8 1/4	1 1/2
STD.	30	1/2	3/4	8 3/8	9 1/8	10	7 3/8	5 3/8	2 3/8	2 3/8	3 3/8	4 3/8	10 3/8	1 7/8
EXPWY.	36	5/8	7/8	10 3/8	10 3/8	12	9 3/8	6 3/4	3 1/2	2 3/8	4 1/8	5 1/4	12 3/8	2 1/4
FWY.	48	3/4	1 1/4	14 3/8	14 1/2	16	12 1/2	9	4 1/8	3 1/2	5 1/2	7	16 1/2	3



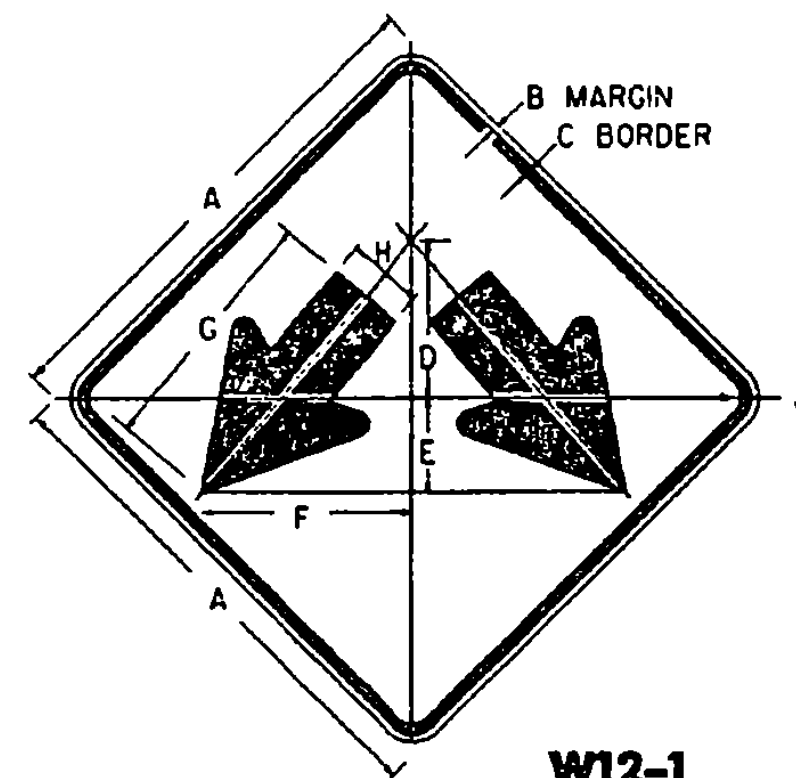
W6-3

SIGN	DIMENSIONS (INCHES)							
	A	B	C	D	E	F	G	H
MIN.	24	3/8	3/8	2	3	9	8 1/2	1 1/2
STD.	30	1/2	3/4	2 1/8	3 3/4	11 1/4	10 3/8	1 7/8
EXPWY.	36	5/8	7/8	2 3/8	4 1/2	13 1/2	12 3/4	2 1/4
SPECIAL	48	3/4	1 1/4	3 3/8	6	18	17	3



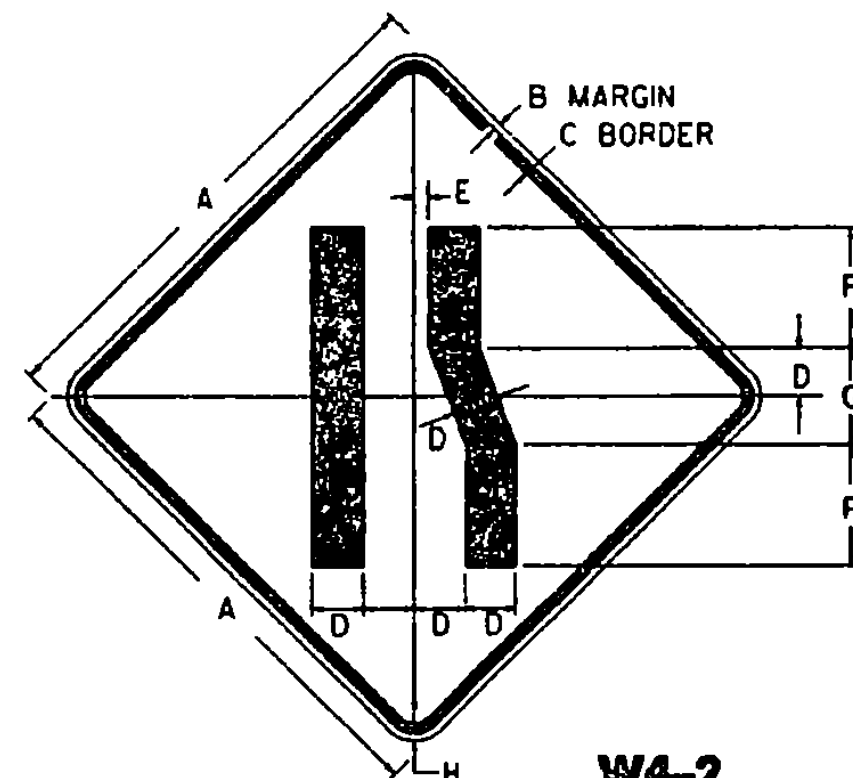
W6-1

SIGN	DIMENSIONS (INCHES)																
	A	B	C	D	E	F	G	H	J	K	L	M	N	P	Q	R	S
MIN.	30	1/2	3/4	3 3/8	8 3/8	4 1/8	25	1 1/8	4 1/8	1 7/8	10	11 3/8	7 1/4	13 1/8	7 3/8	8 3/8	2 1/8
STD. & EXPWY.	36	5/8	7/8	4	10	5	30	2	5	2 1/4	12	14	9 1/2	16 1/2	9 1/2	10	2 1/2
SPECIAL	48	3/4	1 1/4	5 1/4	13 3/8	6 3/8	39 3/8	2 3/8	6 3/8	3	16	18 1/8	12 3/8	22	12 3/8	13 3/8	3 3/8



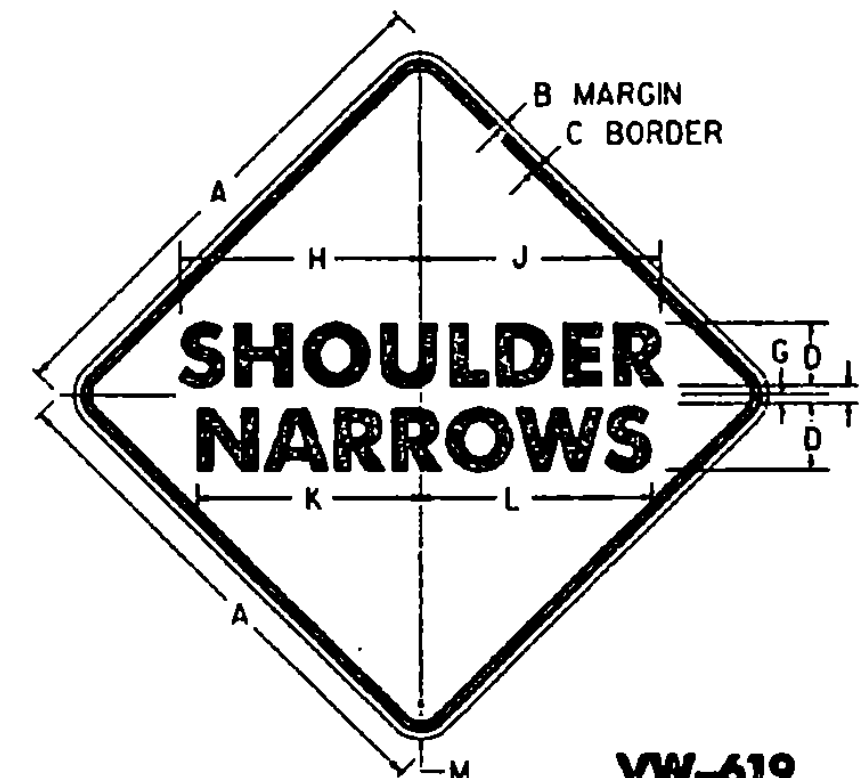
W12-1

SIGN	DIMENSIONS (INCHES)									
	A	B	C	D	E	F	G	H	J	
STD. & MIN.	24	3/8	5/8	8	4 1/8	9 3/4	11 3/8	3 3/8	1 1/2	
SPECIAL	30	1/2	3/4	10	5 1/4	12 3/8	14 3/8	4	1 7/8	
SPECIAL	36	5/8	7/8	12	6 3/8	14 3/8	17 1/2	4 3/4	2 1/4	



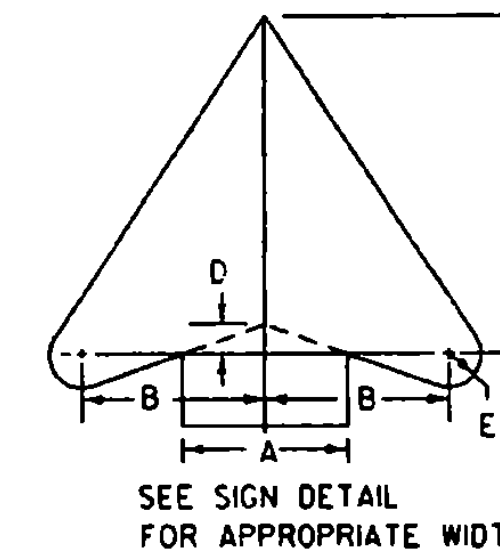
W4-2

SIGN	DIMENSIONS (INCHES)							
	A	B	C	D	E	F	G	H
MIN.	30	1/2	3/4	3 3/8	1 3/8	8 3/8	6 3/4	1 1/8
STD. & EXPWY.	36	5/8	7/8	4	1	10	8	2 1/4
FWY.	48	3/4	1 1/4	5 3/8	1 3/8	13 3/8	10 3/8	3



VW-619

SIGN	DIMENSIONS (INCHES)												
	A	B	C	D	E	F	G	H	J	K	L	M	
MIN & STD.	36	3/8	7/8	5C	3	6D	1	13 1/8	13 1/8	17 3/8	18 1/4	2 1/4	
EXPWY.	48	3/4	1 1/4	7D	3 1/2	7D	1	23 1/8	23 3/8	21 1/2	21 3/8	3	



DIMENSIONS (INCHES)					
A	B	C	D	E	
2 3/8	3	5 1/4	3/8	1/2	
3	3 1/2	6 1/8	1/8	3/8	
3 1/8	1 3/8	6 3/8	1/2	3/8	
3 3/4	3 3/4	6 3/8	1/2	3/8	
3 3/8	13 3/8	6 3/8	1/2	3/8	
3 1/2	4	7 1/8	3/8	3/8	
3 3/4	4 3/8	7 3/8	3/8	3/4	
4	4 3/8	8 1/8	3/8	3/8	
4 3/8	5	8 3/8	3/8	3/8	
4 1/2	5 3/8	9 3/8	3/8	3/8	
4 3/4	5 3/8	9 3/8	3/4	1	
5	5 3/4	10 1/8	3/4	1	
5 1/4	6	10 3/8	3/4	1 1/8	
6	6 3/8	12 3/8	3/4	1 3/8	
6 1/2	7 1/2	13 3/8	1	1 3/8	
7	8	14 3/8	1 1/8	1 3/8	
8	9 3/8	16 1/4	1 1/4	1 3/8	

COLORS

ALL THE WARNING SIGNS SHOWN ON THIS SHEET SHALL HAVE BLACK TEXT AND SYMBOLS ON REFLECTORIZED YELLOW BACKGROUND EXCEPT AS OTHERWISE NOTED. THE COLORS SHALL CONFORM WITH THE COLORS ADOPTED BY THE AMERICAN ASSOCIATION OF STATE HIGHWAY AND TRANSPORTATION OFFICIALS AND APPROVED BY THE DEPARTMENT OF TRANSPORTATION, FEDERAL HIGHWAY ADMINISTRATION.

MATERIALS

THE SIGN BASE MATERIALS USED FOR THE WARNING SIGNS SHOWN ON THIS SHEET MAY BE ANY OF THE FOLLOWING, OF THE MINIMUM THICKNESS NOTED.

FLAT SHEET ALUMINUM	24" x 12"	36" x 18"	48" x 24"
HIGH DENSITY OVERLAID PLYWOOD	30" x 24"	36" x 36"	48" x 36"
GALVANIZED FLAT SHEET STEEL	18" GAGE	16 GAGE	14 GAGE
	0.080"	0.100"	0.125"

THE TEXT, BORDER AND SYMBOLS SHALL BE LETTERING FILM, SILK SCREENED OR HAND PAINTED. WHEN HAND PAINTED, POOR WORKMANSHIP SHALL BE CAUSE FOR REJECTION. THE REFLECTIVE MATERIAL SHALL BE REFLECTIVE SHEETING APPLIED TO THE ENTIRE BACKGROUND OF THE SIGN. ENCAPSULATED LENS REFLECTIVE SHEETING SHALL BE USED FOR THE SIGN BACKGROUND WHERE NOTED.

TEXT DESIGN

LETTERS, DIGITS, SYMBOLS, SPACING, AND TEXT DIMENSIONS SHALL CONFORM WITH THE STANDARD ALPHABETS AND DESIGN PRESCRIBED IN THE MANUAL ON UNIFORM TRAFFIC CONTROL DEVICES.

SPECIFICATIONS

WARNING SIGNS SHALL MEET THE VERMONT STANDARD SPECIFICATIONS FOR 'TRAFFIC SIGNS'.

OTHER STDS. REQUIRED:

REVISIONS AND CORRECTIONS

OCT. 31, 1987 - DATE OF ORIGINAL ISSUE
AUG. 08, 1995 - MISC. NOTE CHANGES AND ADDED I.D. NUMBERS TO EACH DETAIL.

APPROVED FOR THIS PROJECT AND/OR DESIGN IMPLEMENTATION. FHWA FINAL APPROVAL PENDING.

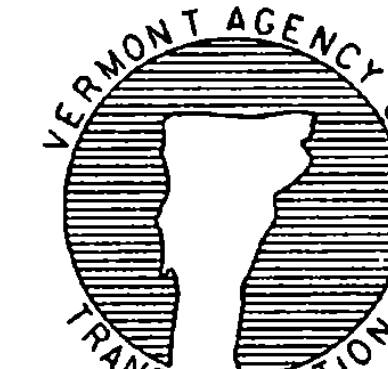
APPROVED

Stephen D. McArthur
DIRECTOR OF ENGINEERING

Dave A. Ross
TRAFFIC AND SAFETY ENGINEER

**WARNING SIGNS
DETAIL**

/traf/stc/side151.dgn : stde151



**STANDARD
E-151**