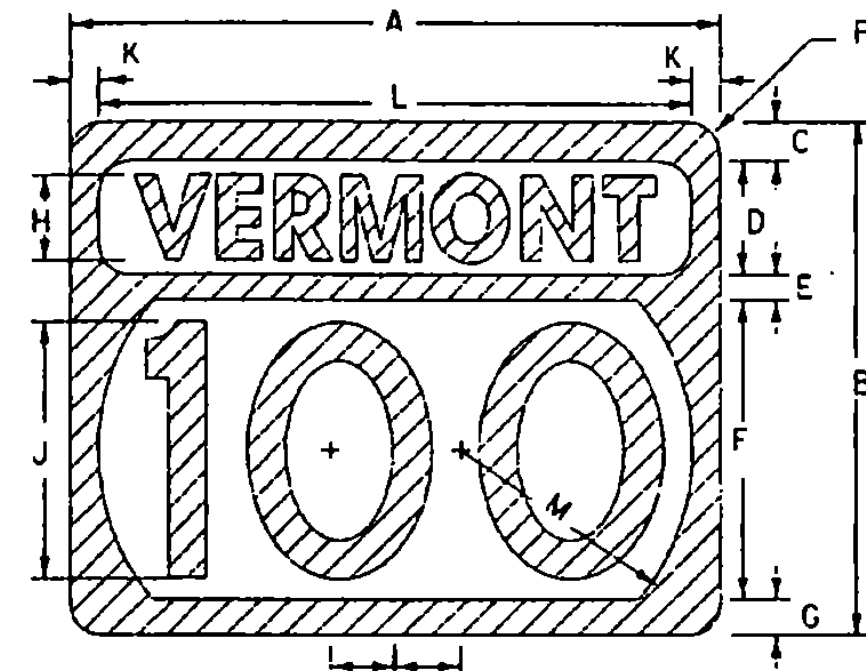
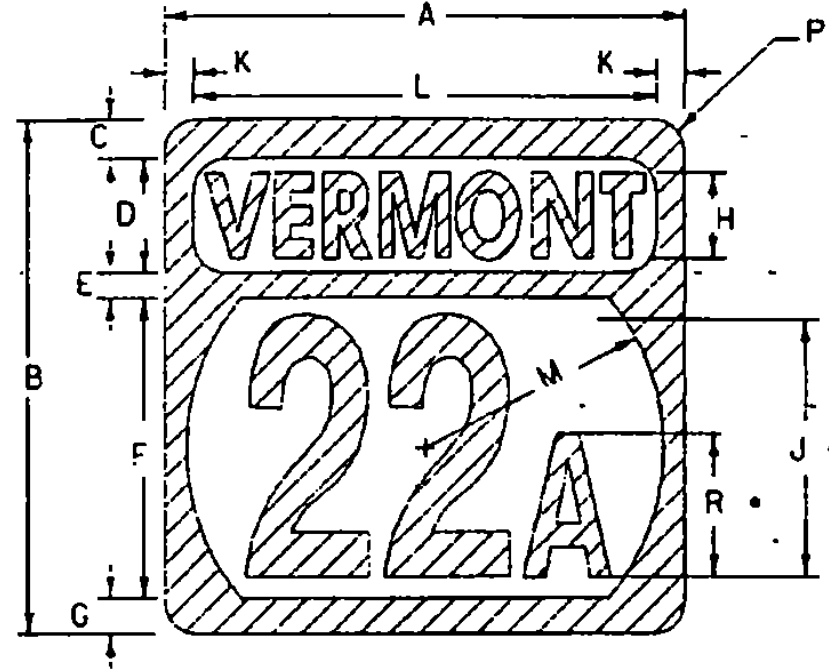


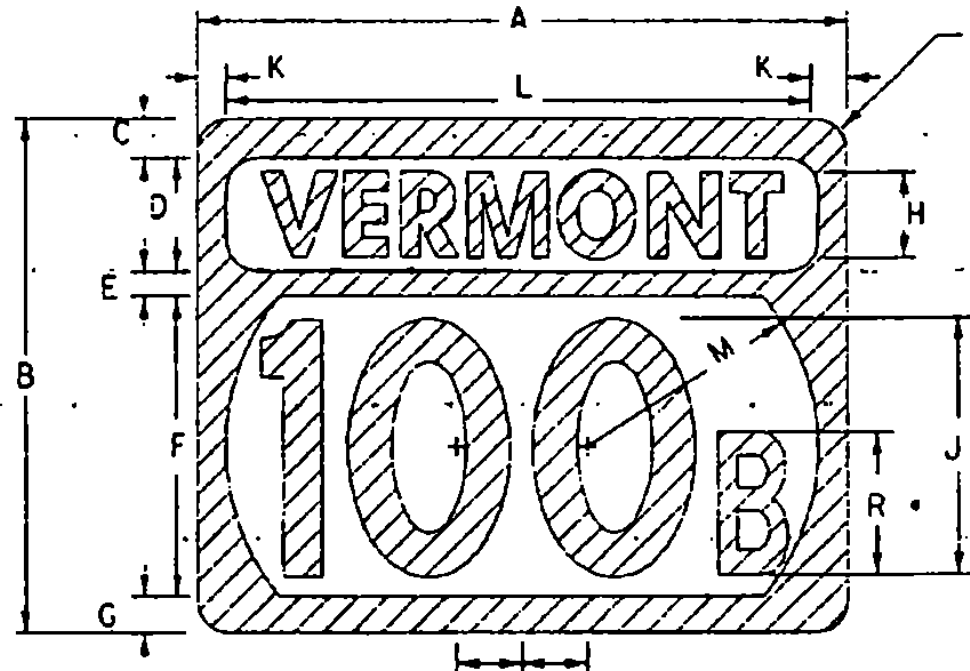
1 OR 2 DIGIT STATE ROUTE MARKER



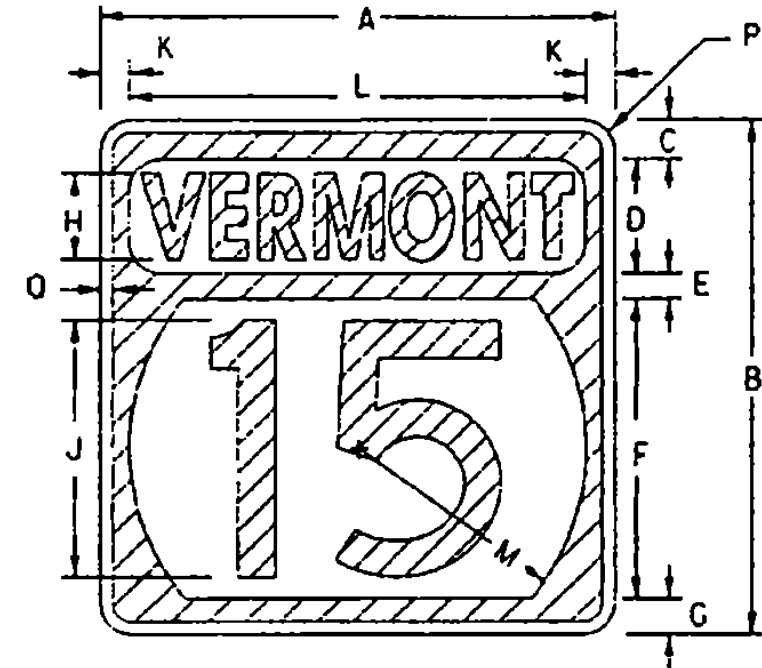
3 DIGIT STATE ROUTE MARKER



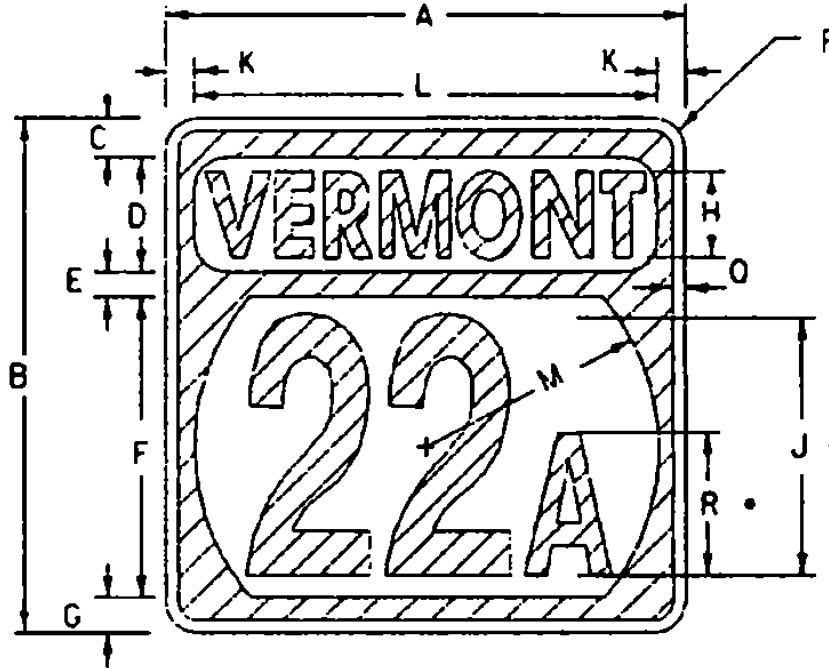
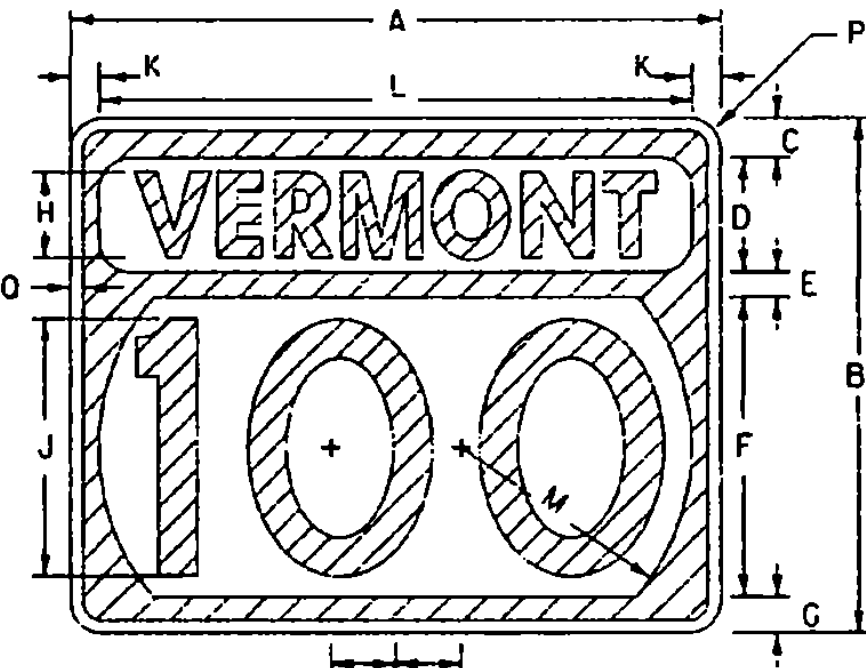
1 OR 2 DIGIT ALTERNATE STATE ROUTE MARKER



3 DIGIT ALTERNATE STATE ROUTE MARKER

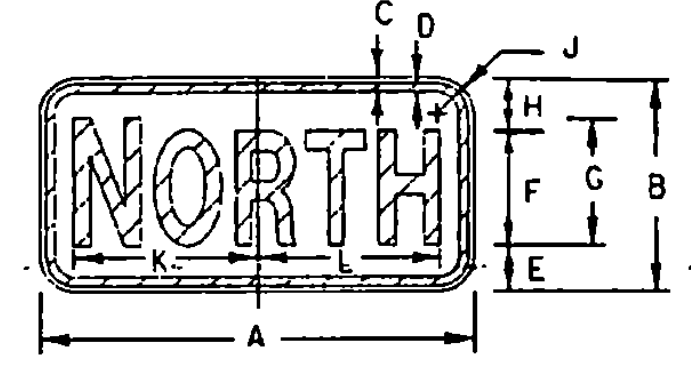


STATE ROUTE MARKER FOR GUIDE SIGN USE. (INTERSTATE TYPICAL)



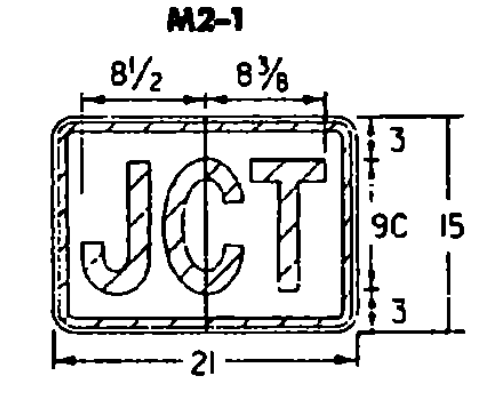
ALTERNATE STATE ROUTE MARKER FOR GUIDE SIGN USE. (INTERSTATE TYPICAL)

ALTERNATE ROUTE SIGNS: OPTICALLY SPACE NUMERALS ABOUT VERTICAL CENTERLINE AND REDUCE SPACING AS NECESSARY FOR EACH ROUTE

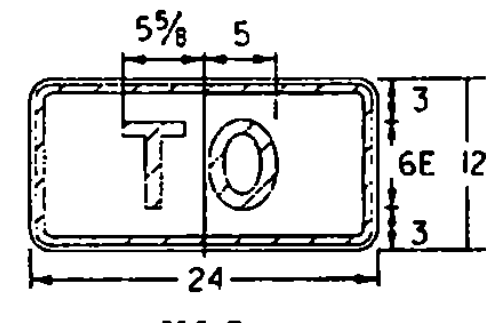
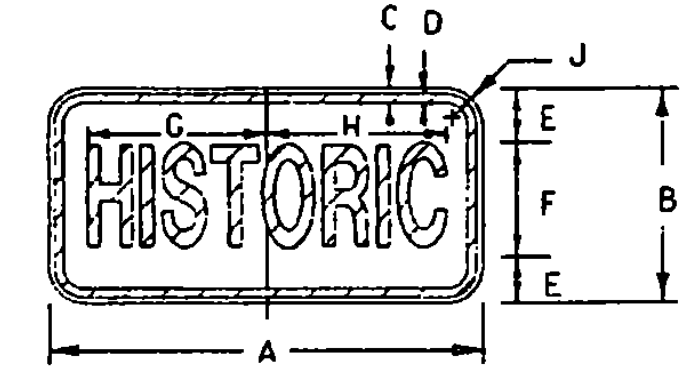


M3-1 M3-3 M3-2 M3-4

SIGN	DIMENSIONS (INCHES)																
	A	B	C	D	E	F	G	H	J	K	L	WEST					
MIN. & STD.	24	12	3/8	3/8	2 3/4	6C	7C	3/4	1 1/2	10 1/4	10 1/4	10 1/4	8 3/4	7 3/4	8 3/4	8 3/4	8 3/4
SPECIAL	30	15	3/8	3/8	3 1/4	8C	9C	3/4	1 1/2	12 3/4	12 3/4	12 3/4	10 3/4	11 1/4	11 1/4	11 1/4	11 1/4



CARDINAL DIRECTION MARKER



TRAILBLAZER

SIGN	DIMENSIONS (INCHES)									
	A	B	C	D	E	F	G	H	J	
MIN. & STD.	24	12	3/8	3/8	3 1/2	5B	10 1/8	9 3/8	1 1/2	
SPECIAL	30	15	3/8	3/8	4	7B*	12 3/8	12 3/8	1 1/2	

\* REDUCE SPACING 35%

**MATERIALS**

THE SIGN BASE MATERIAL MAY BE ANY OF THE FOLLOWING, WITH THE MINIMUM THICKNESSES AS NOTED:

- FLAT SHEET ALUMINUM
  - LESS THAN 24" X 24" 0.060"
  - WHEN USED ON GUIDE SIGNS 0.080"
  - 24" X 24", 30" X 24" 0.080"
  - 36" X 36", 45" X 36" 0.100"
- GALVANIZED FLAT SHEET STEEL
  - LESS THAN 24" X 24" 18 GAGE
  - WHEN USED ON GUIDE SIGNS 18 GAGE
  - 24" X 24", 30" X 24" 16 GAGE
  - 36" X 36", 45" X 36" 14 GAGE

THE REFLECTIVE MATERIAL SHALL BE WHITE REFLECTIVE SHEETING APPLIED TO THE ENTIRE BACKGROUND. THE TEXTS MAY BE LETTERING FILM, SILK SCREENED, OR HAND PAINTED.

**COLORS**

COLORS FOR GUIDE USE: TEXT AND SHIELD - GREEN (REFL.) BACKGROUND AND BORDER - WHITE (REFL.) STATE ROUTE MARKERS SHALL HAVE REFLECTIVE GREEN TEXT AND BORDERS ON REFLECTORIZED WHITE BACKGROUNDS. GREEN AREAS ARE INDICATED BY SINGLE LINE CROSSHATCHING

**LETTERING**

LETTERS AND DIGITS SHALL CONFORM WITH THE "STANDARD ALPHABET FOR HIGHWAY SIGNS AND PAVEMENT MARKINGS" ADOPTED BY THE U.S. DEPARTMENT OF TRANSPORTATION AND FHWA.

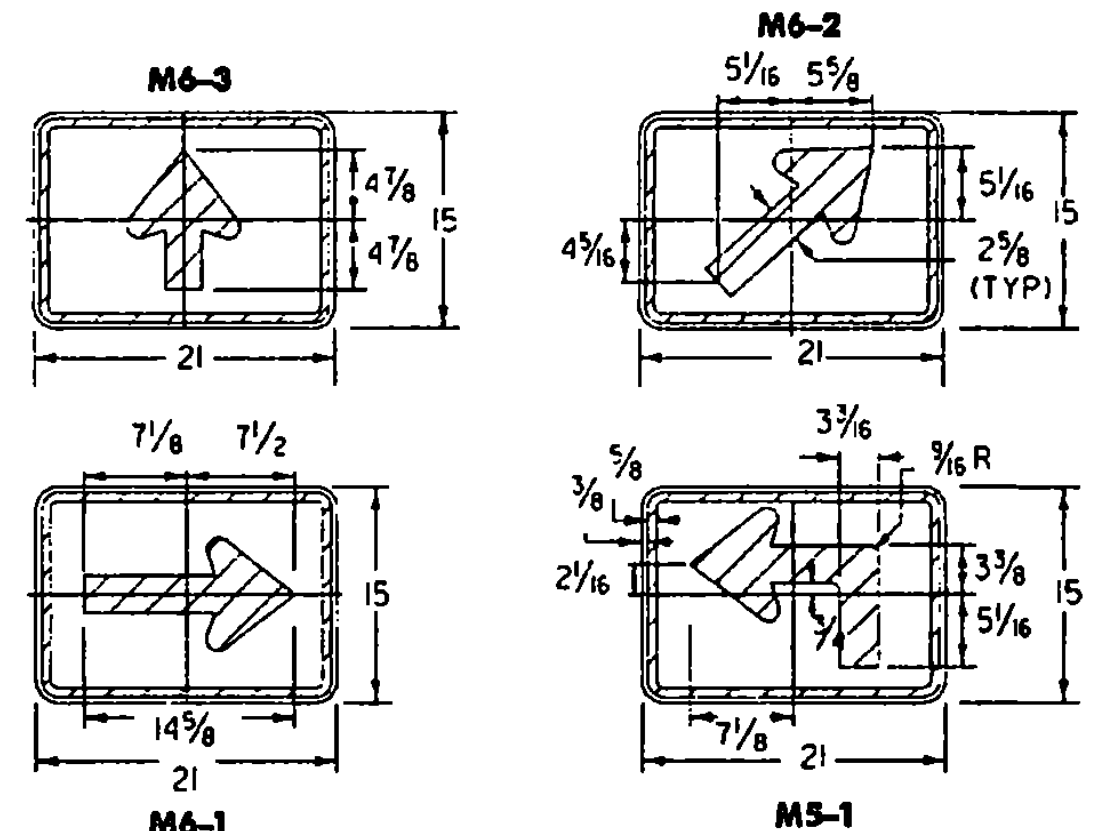
**SPECIFICATIONS**

STATE ROUTE MARKERS AND AUXILIARY ROUTE MARKERS SHALL MEET THE STANDARD STATE SPECIFICATIONS FOR TRAFFIC SIGNS.

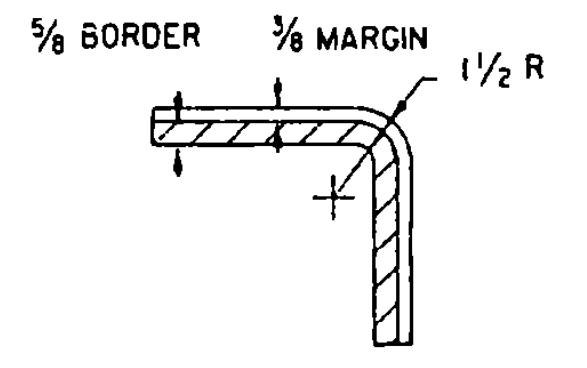
**DESIGNS**

THE DESIGNS OF STATE ROUTE MARKERS AND AUXILIARY MARKERS SHALL CONFORM WITH THE REQUIREMENTS SET FORTH IN THE "MANUAL ON UNIFORM TRAFFIC CONTROL DEVICES" ADOPTED BY THE U.S. DEPARTMENT OF TRANSPORTATION AND FHWA.

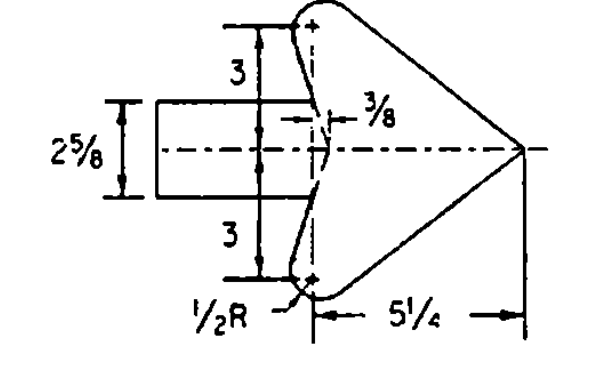
SIGN	DIMENSIONS (INCHES)															
	A	B	C	D	E	F	G	H	J	K	L	M	N	P	O	R
1,2-digits	24	24	1 1/2	6	1	14	1 1/2	4C	12D	1	22	11	-	1 1/2	1 1/2	7B
1,2-digits	36	36	2 3/8	8	1 3/4	21	2 3/8	6C	18D	2	32	16 1/2	-	2 1/4	1 1/8	10B
3.-digits	30	24	1 1/2	6	1	14	1 1/2	4D	12D	1	28	11	3	1 1/2	1 1/2	7B
3.-digits	45	36	2 3/8	8	1 3/4	21	2 3/8	6D	18D	2	41	16 1/2	4 1/2	2 1/4	1 1/8	10B



DIRECTION ARROW OR ADVANCE TURN ARROWS



TYPICAL RADIUS DETAIL



TYPICAL ARROW DETAIL

(ALL DIMENSIONS IN INCHES)

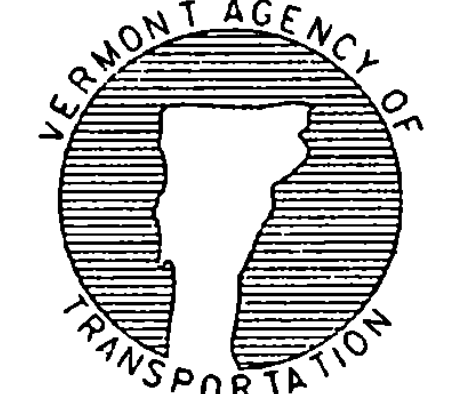
REVISIONS AND CORRECTIONS  
AUG. 08, 1995 - DATE OF ORIGINAL ISSUE

APPROVED

*Stephen A. MacArthur*  
DIRECTOR OF ENGINEERING

*David A. Rorr*  
TRAFFIC AND SAFETY ENGINEER

STATE ROUTE MARKER SIGN DETAILS



STANDARD E-136 B

APPROVED FOR THIS PROJECT AND/OR DESIGN IMPLEMENTATION. FHWA FINAL APPROVAL PENDING.