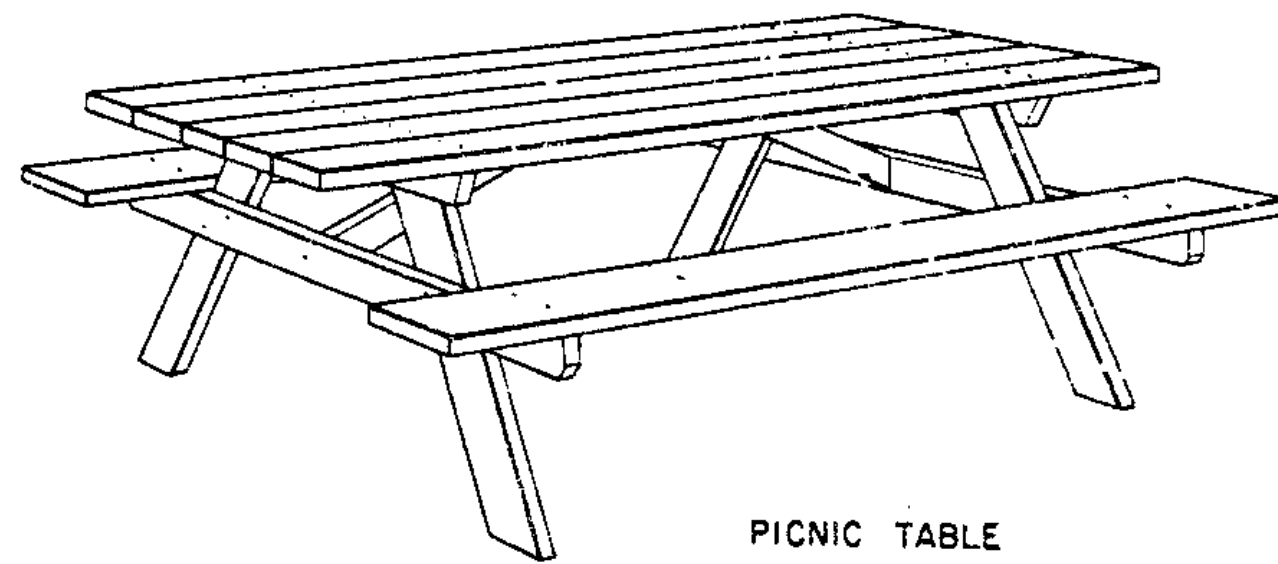
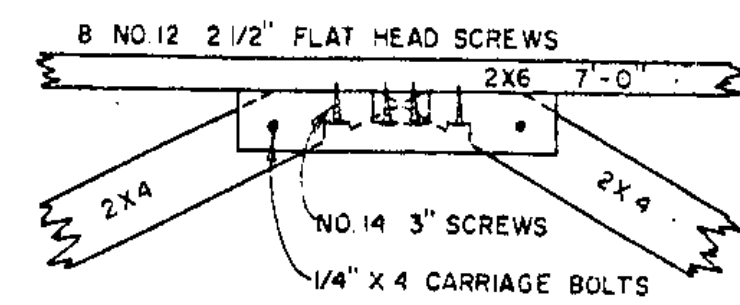
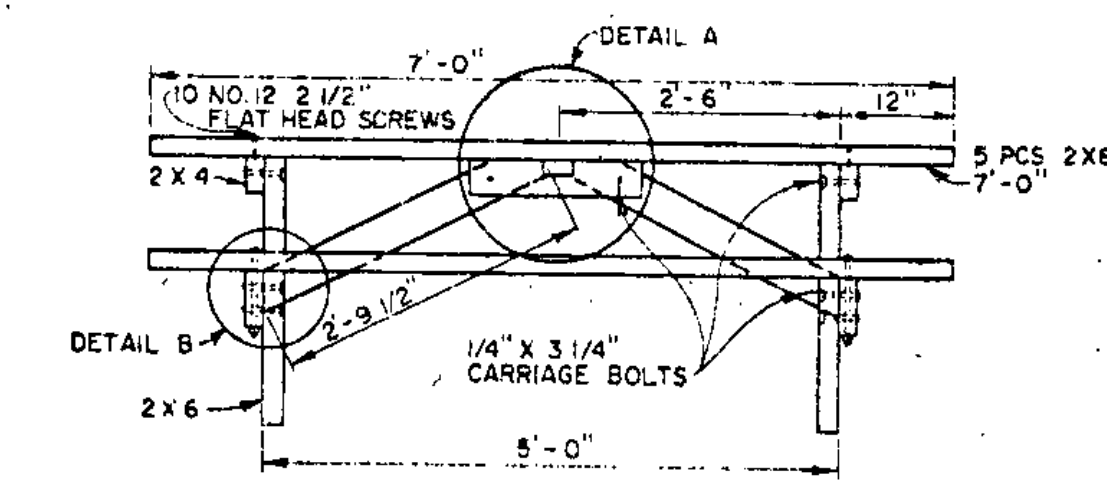


MATERIAL	HARDWARE
5 4 S & FASSED EDGES	GALVANIZED
2 PCS 2 X 10 7'-0"	8 1/4" X 8" CARRIAGE BOLTS
3 PCS 2 X 6 7'-0"	2 1/4 X 4 1/2"
2 PCS 2 X 6 4'-7"	4 1/4 X 3 1/4"
4 PCS 2 X 6 2'-10 3/4"	2 NO 14 X 3" WOOD SCREWS
2 PCS 2 X 4 2'-9 1/2"	28 NO 12 2 1/2"
1 PC 2 X 4 2'-6"	28 1/4 STD. WASHERS
1 PC 2 X 4 2'-3"	
1 PC 2 X 4 2'-3"	

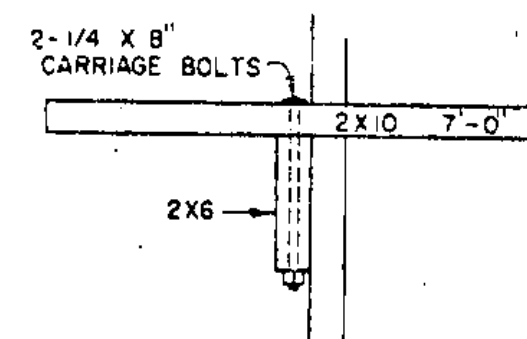
SIZES INDICATED TO BE NOMINAL



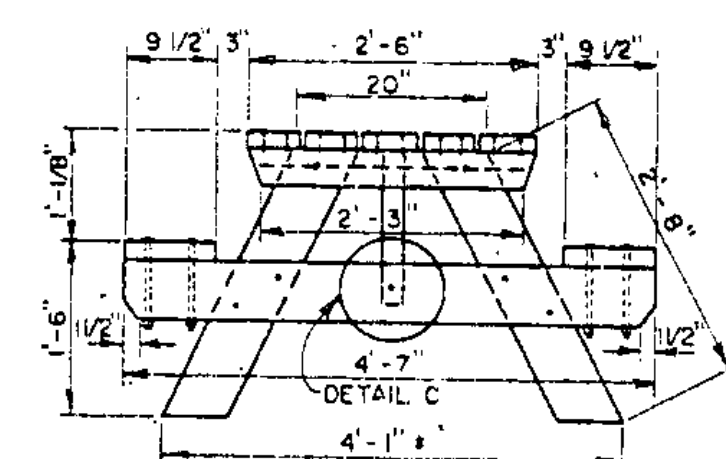
PICNIC TABLE



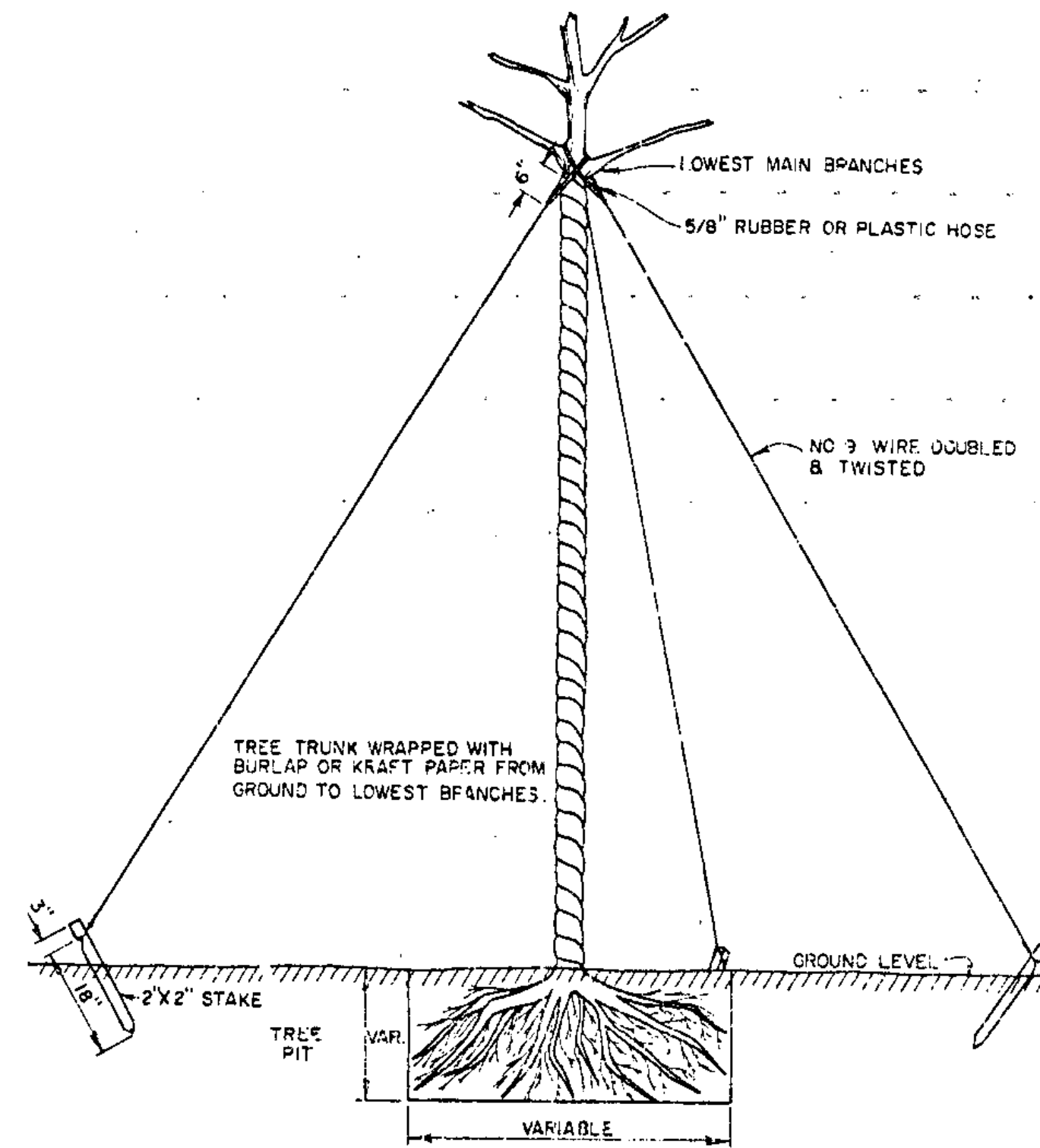
DETAIL A



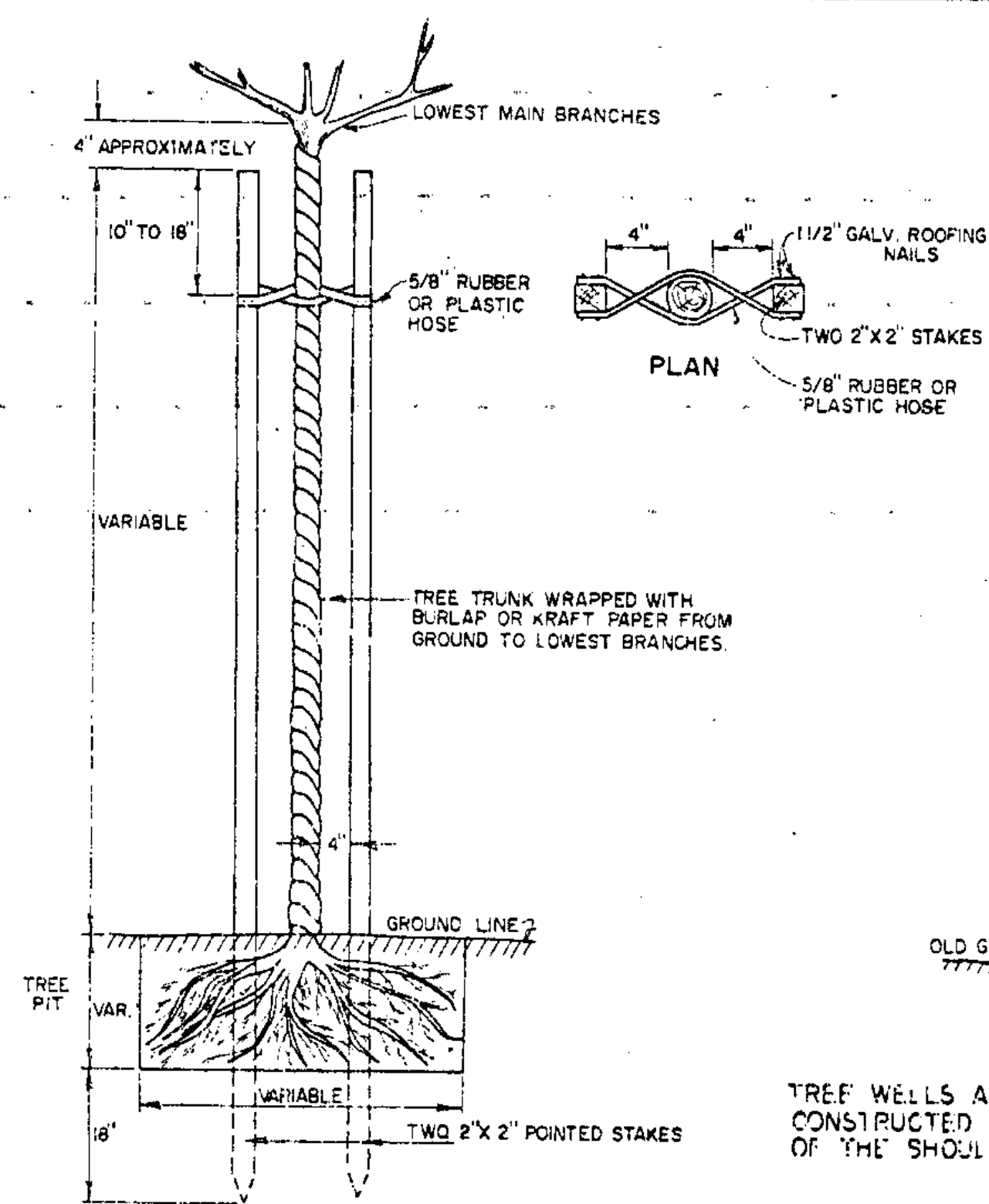
DETAIL B



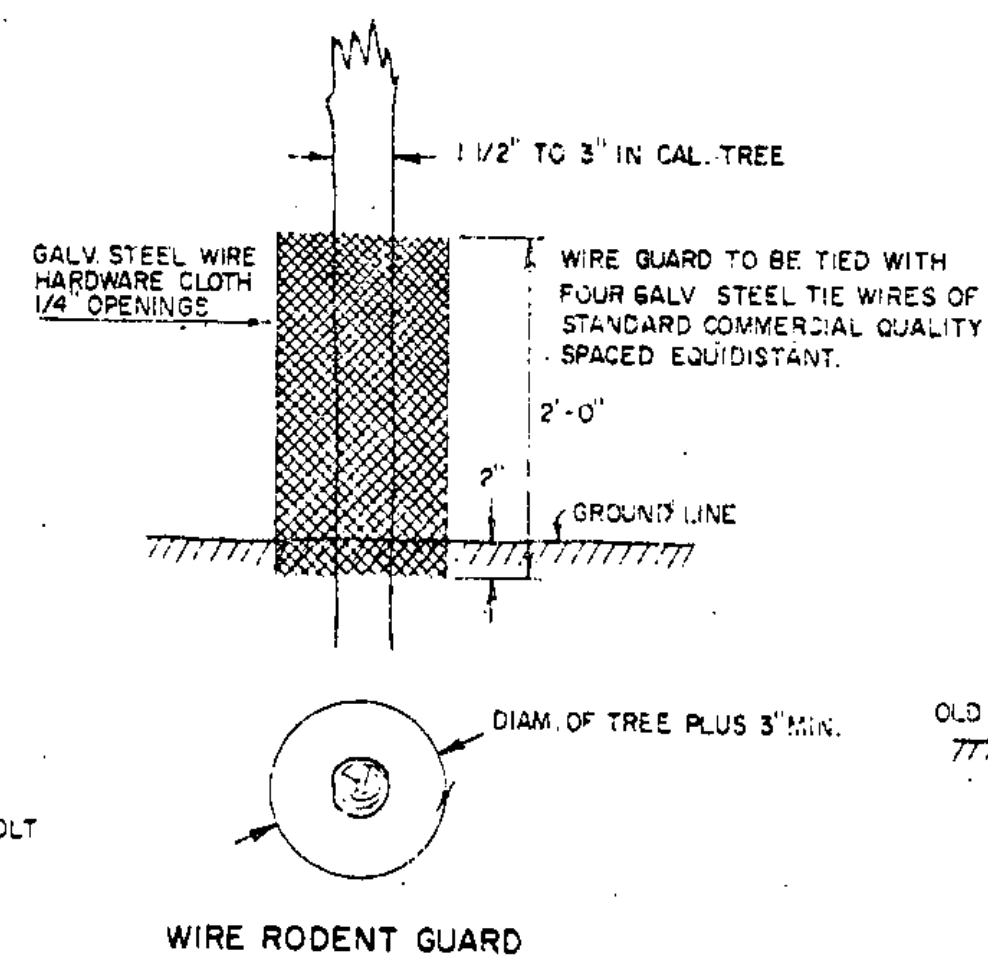
DETAIL C



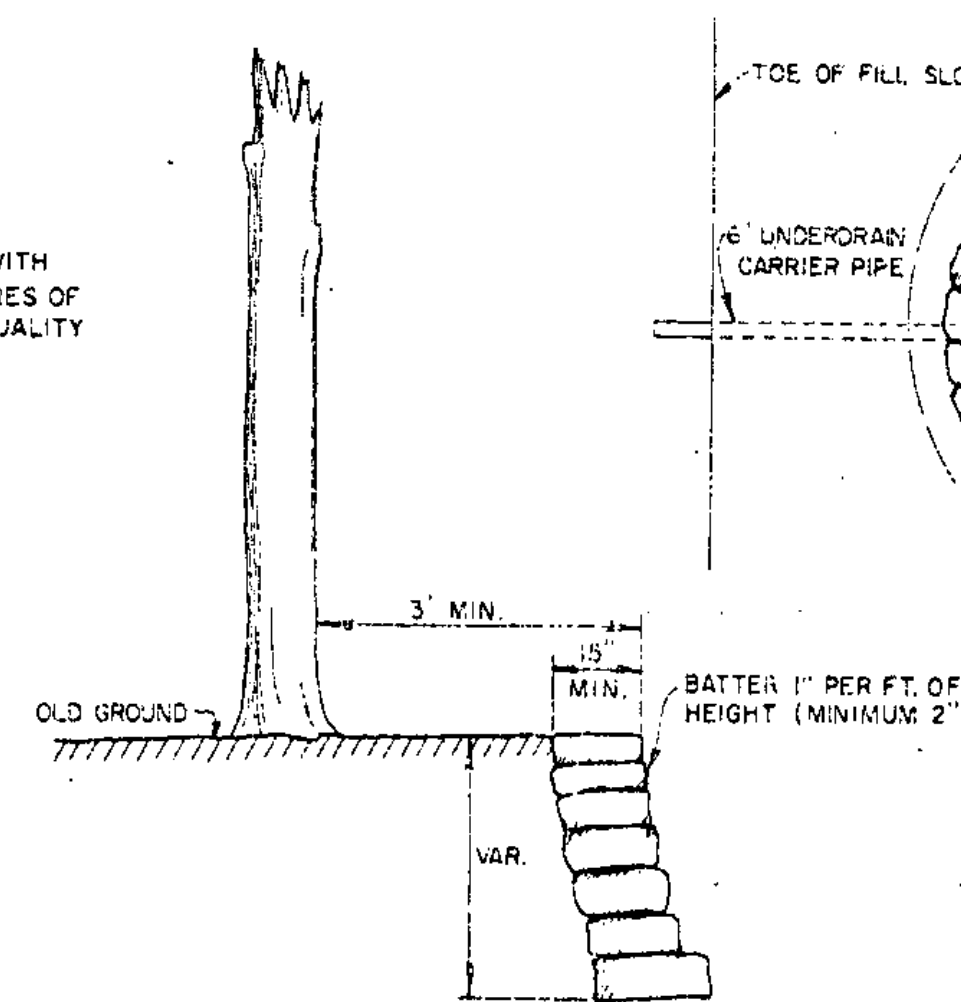
BRACING TRIPOD METHOD  
TREES OVER TWO AND ONE HALF (2 1/2) INCHES IN CALIPER MEASUREMENT SHALL BE SECURED BY GUY WIRES AND STAKES.



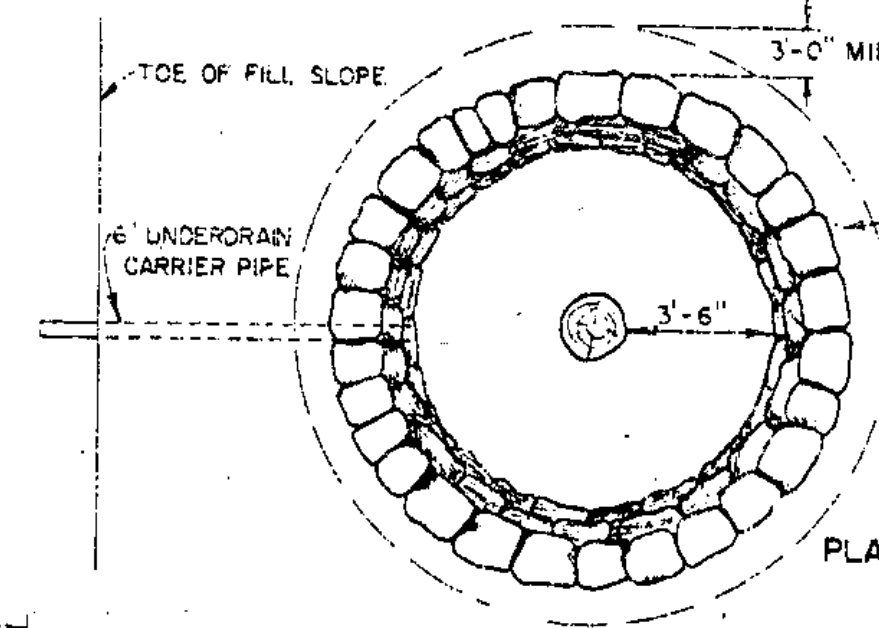
BRACING DOUBLE VERTICAL STAKES METHOD  
TREES ONE AND ONE HALF (1 1/2) TO TWO AND ONE HALF (2 1/2) INCHES IN CALIPER MEASUREMENT SHALL BE SECURED WITH DOUBLE VERTICAL STAKES.



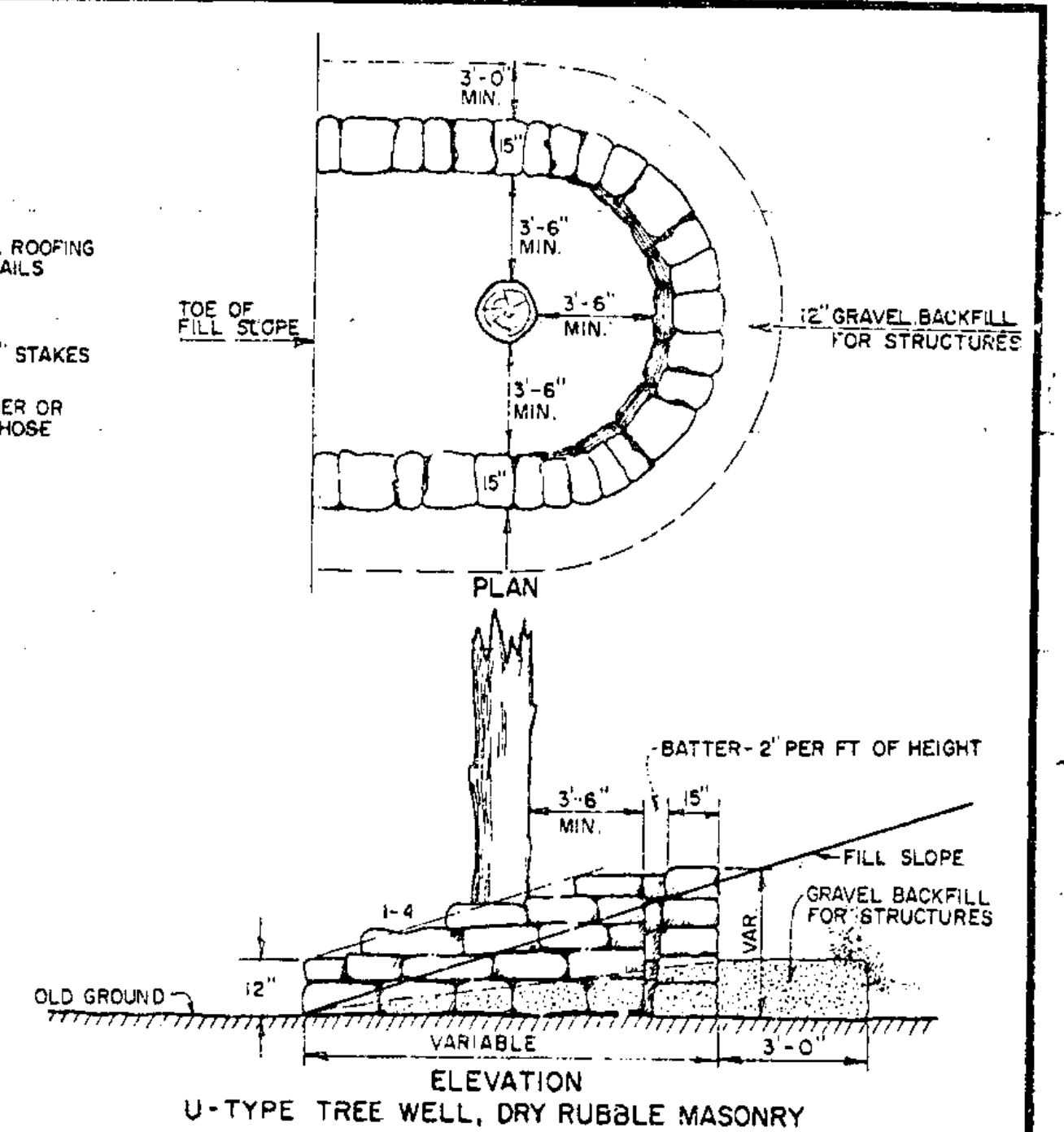
WIRE RODENT GUARD



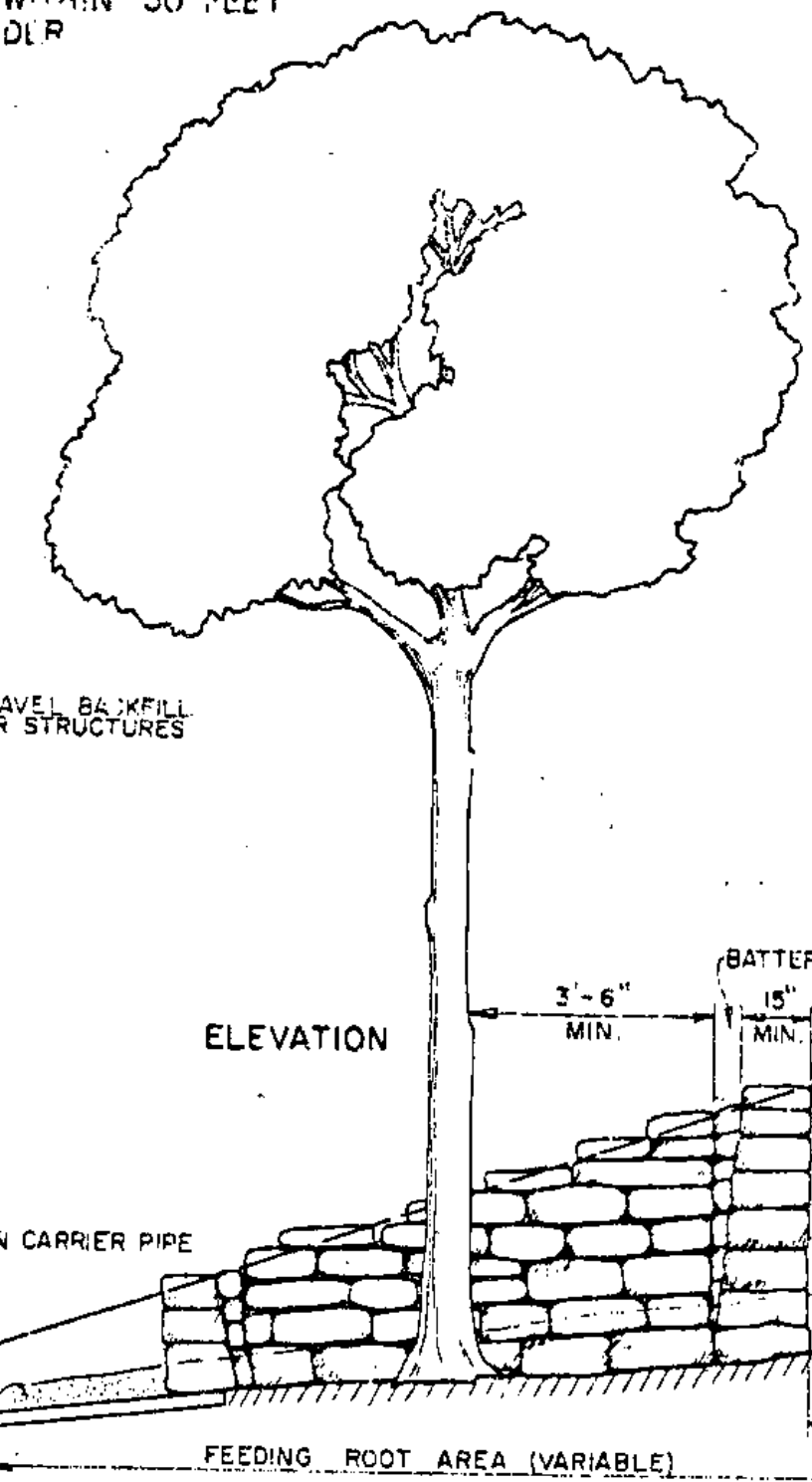
DRY RUBBLE MASONRY FOR TREE PROTECTION IN CUT



CIRCULAR TREE WELL IN HEAVY FILL, DRY RUBBLE MASONRY



U-TYPE TREE WELL, DRY RUBBLE MASONRY  
TREE WELLS ARE NOT TO BE CONSTRUCTED WITHIN 30 FEET OF THE SHOULDER



REVISIONS AND CORRECTIONS  
DEC 19, 1978 NOTE ADDED ON LOCATION OF TREE WELLS

APPROVED  
DATE

Dec. 20, 1971

*R. H. Arnold*  
CHIEF ENGINEER  
*E. H. Stehney*  
ASST. CHIEF ENGINEER  
*G. M. Lane*  
HIGHWAY ENGINEER

DRY RUBBLE MASONRY TREE WELLS  
BRACING OF TREES  
PICNIC TABLES  
WIRE RODENT GUARD

VERMONT  
DEPARTMENT  
OF HIGHWAYS  
STANDARD

J-5