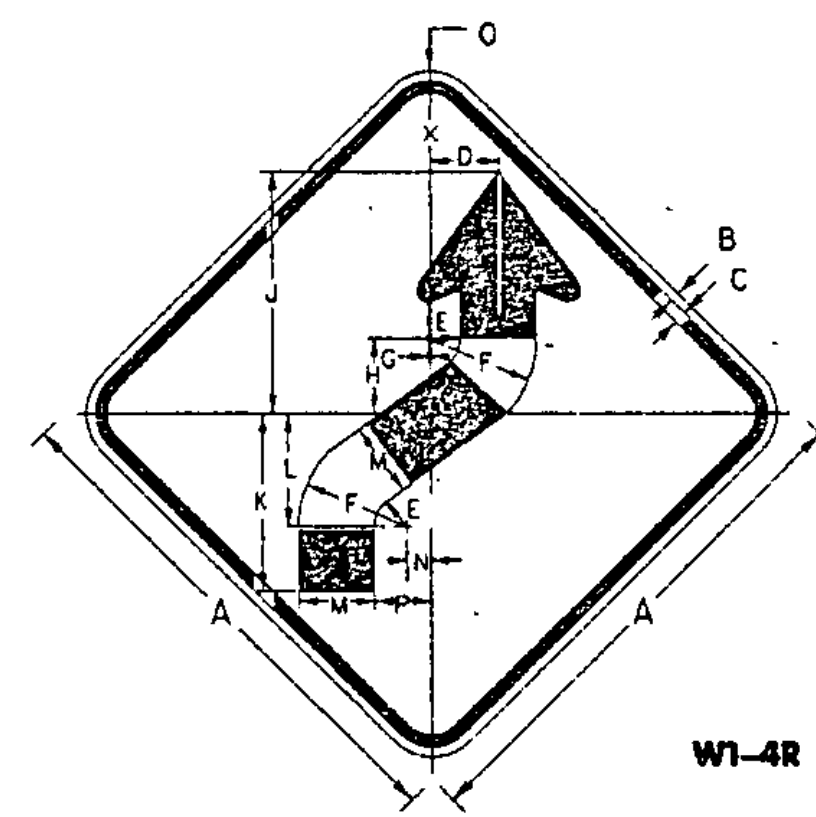


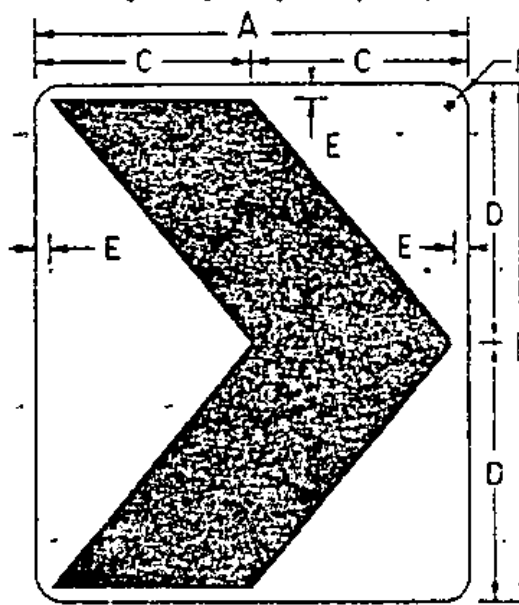
W1-3R

SIGN	DIMENSIONS (INCHES)												
	A	B	C	D	E	F	G	H	J	K	L	M	
STD. & MIN.	36	3/8	7/8	17 1/4	4 1/2	5 1/4	1 1/4	3 3/8	4 1/2	12 3/4	1 3/4	2 1/4	
SPECIAL	48	3/4	1 1/4	23 3/4	5 5/8	7	1 5/8	4 3/8	6	16 5/8	2 3/8	3	



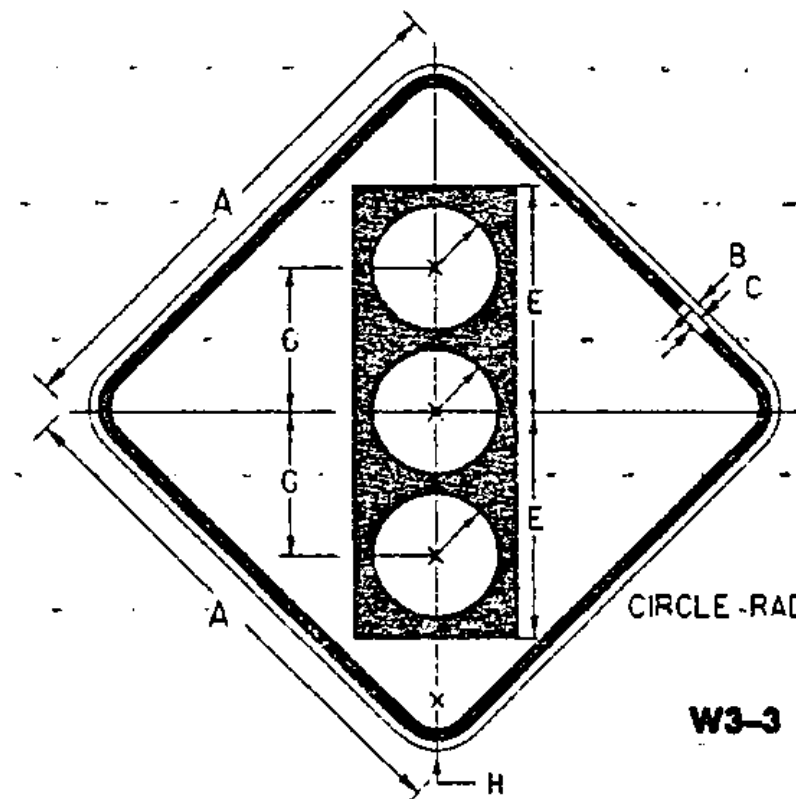
W1-4R

SIGN	DIMENSIONS (INCHES)														
	A	B	C	D	E	F	G	H	J	K	L	M	N	P	O
STD. & MIN.	36	3/8	7/8	4 1/2	2 1/4	7 1/2	3/2	5 1/4	16 3/8	12 3/8	7 7/8	5 1/4	1 1/8	3 3/8	2 1/4
SPECIAL	48	3/4	1 1/4	6 3/8	3	10	3/2	7	22 1/2	16 1/2	10 1/2	7	2 1/4	5 1/4	3



W1-5

SIGN	DIMENSIONS (INCHES)					
	A	B	C	D	E	F
STD.	18	24	9	12	3/4	1 1/2
SPECIAL	24	30	12	15	3/4	1 1/2
EXPWY.	30	36	15	18	1	1 3/4
FRWY.	36	48	18	24	1 1/4	2 1/4

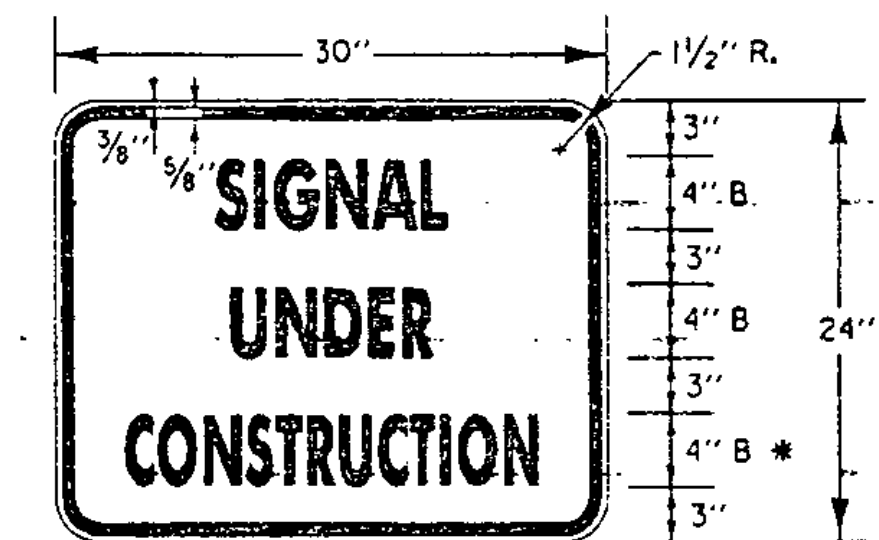


W3-3

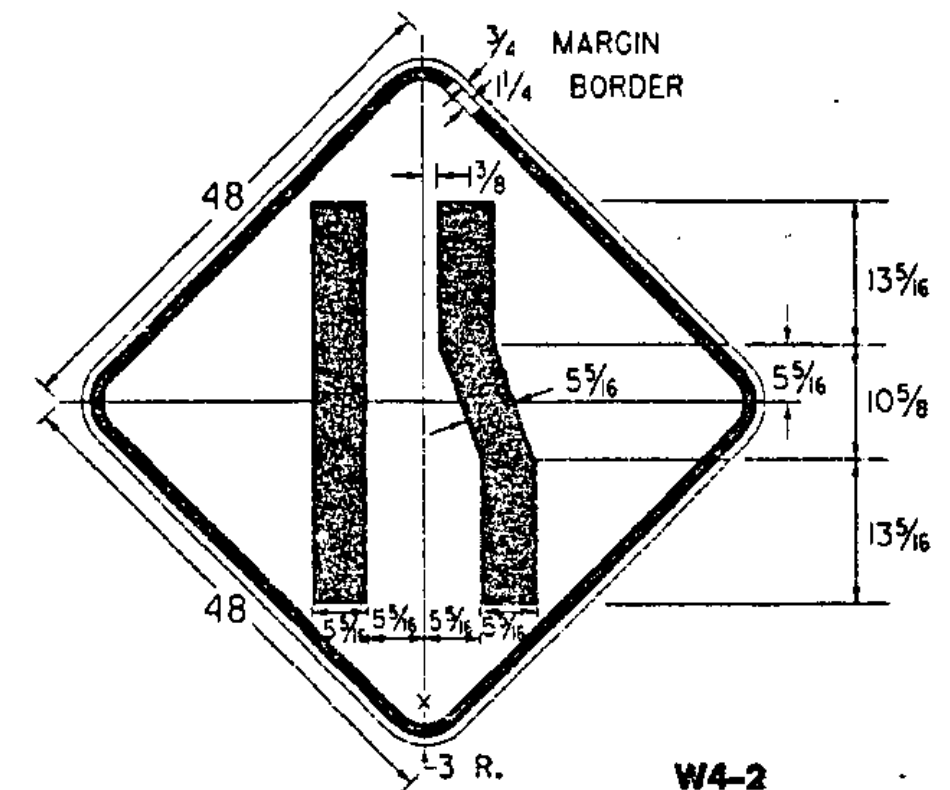
SIGN	DIMENSIONS (INCHES)							
	A	B	C	D	E	F	G	H
STD. & MIN.	36	3/8	7/8	5 3/4	15 3/4	4 1/4	10	2 1/4
SPECIAL	48	3/4	1 1/4	7 1/2	20	5	12 1/2	3

COLORS

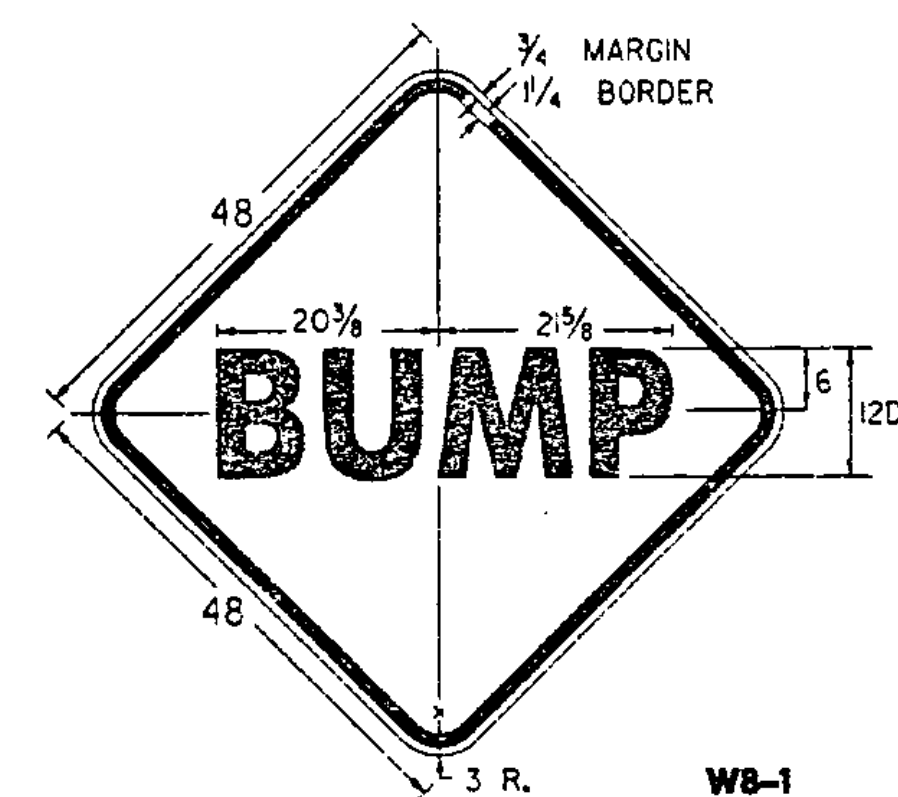
SYMBOL & LEGEND - BLACK (NON-REFL)
 TOP CIRCLE - RED (REFL)
 MIDDLE CIRCLE - YELLOW (REFL)
 BACKGROUND - ORANGE (REFL)
 BOTTOM CIRCLE - GREEN (REFL)



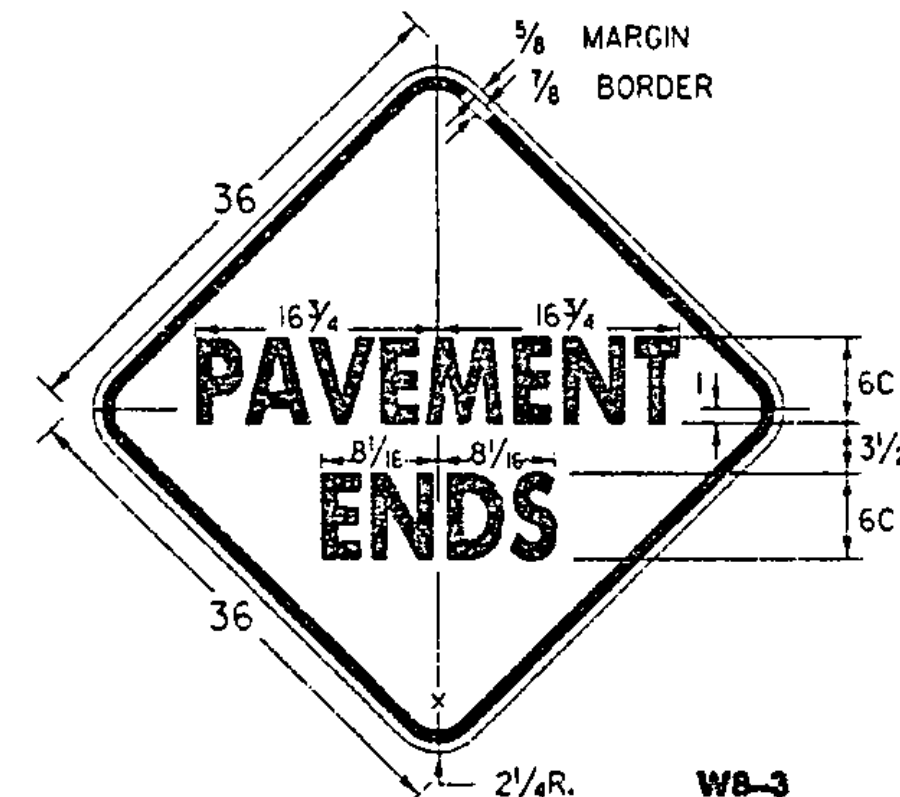
* REDUCE SPACING 50%



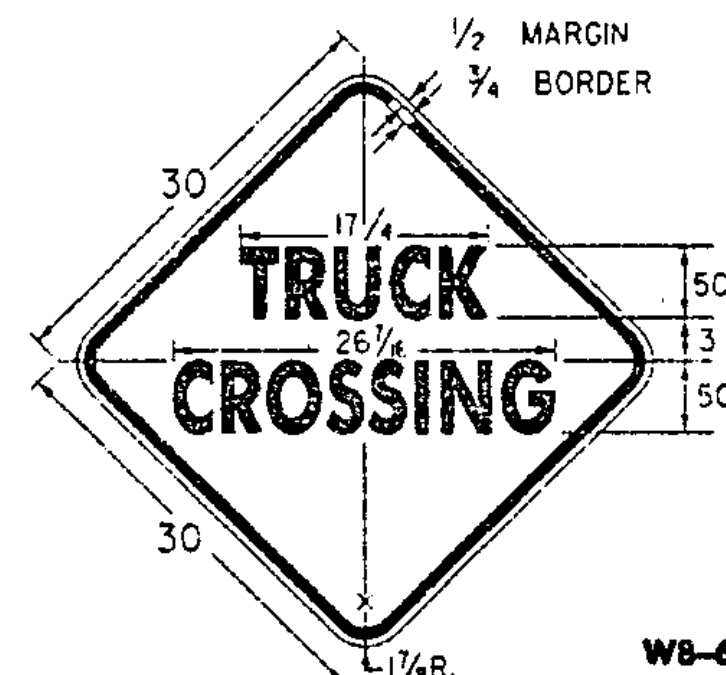
W4-2



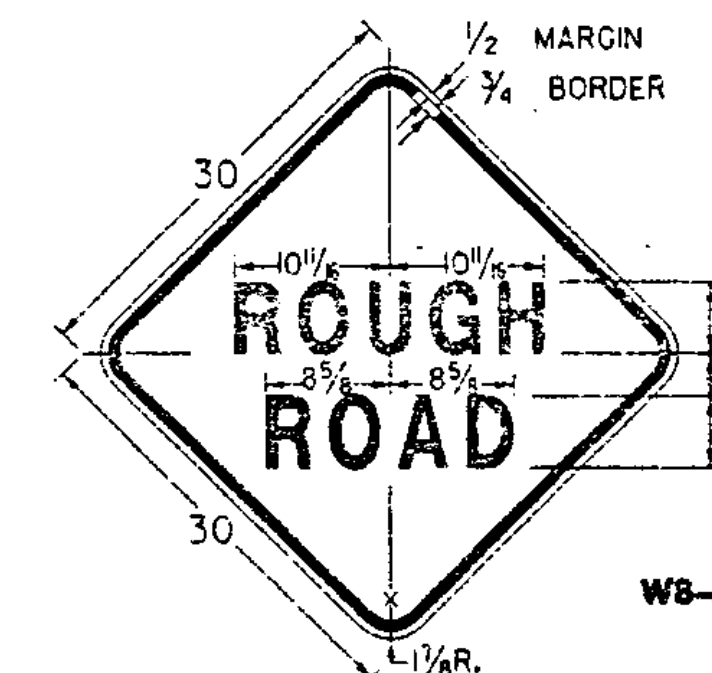
W8-1



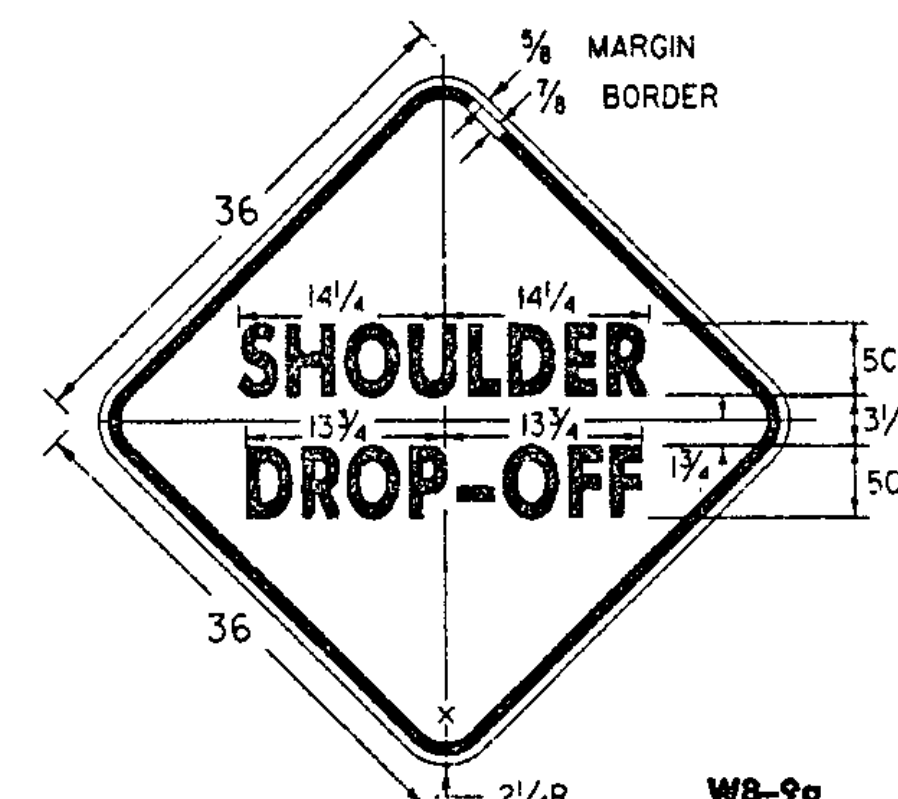
W8-3



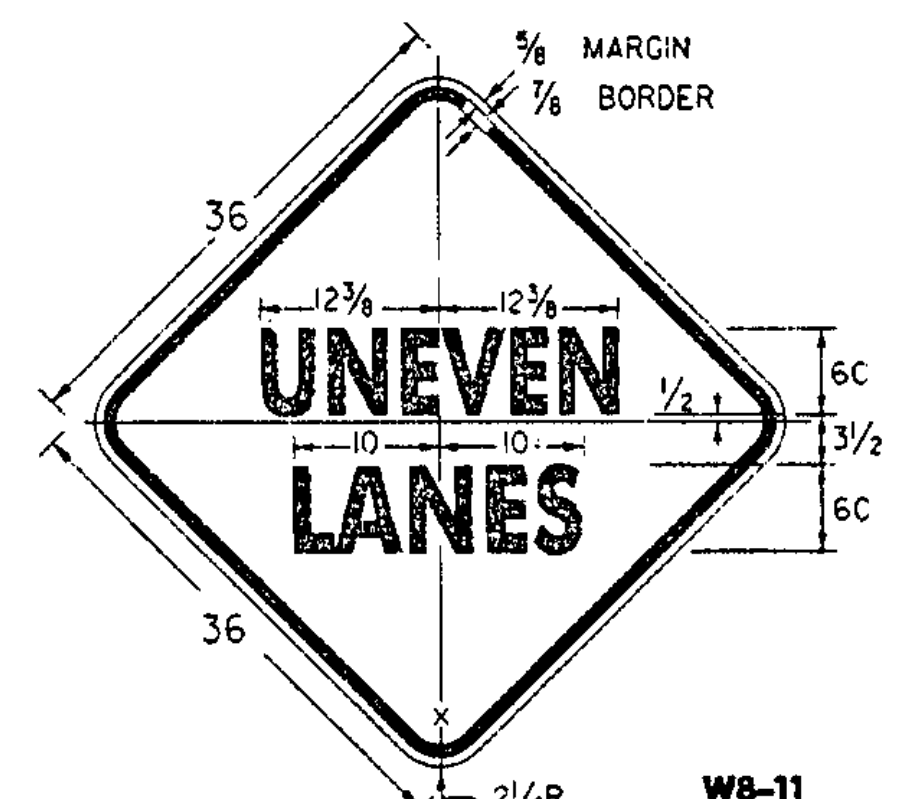
W8-6



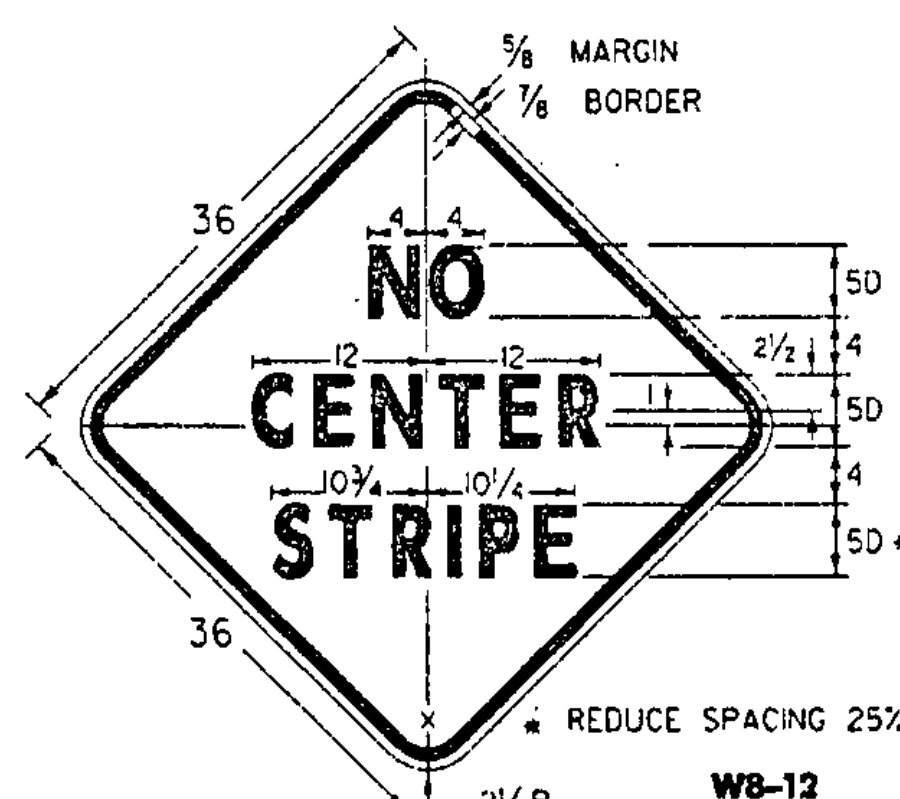
W8-8



W8-9a

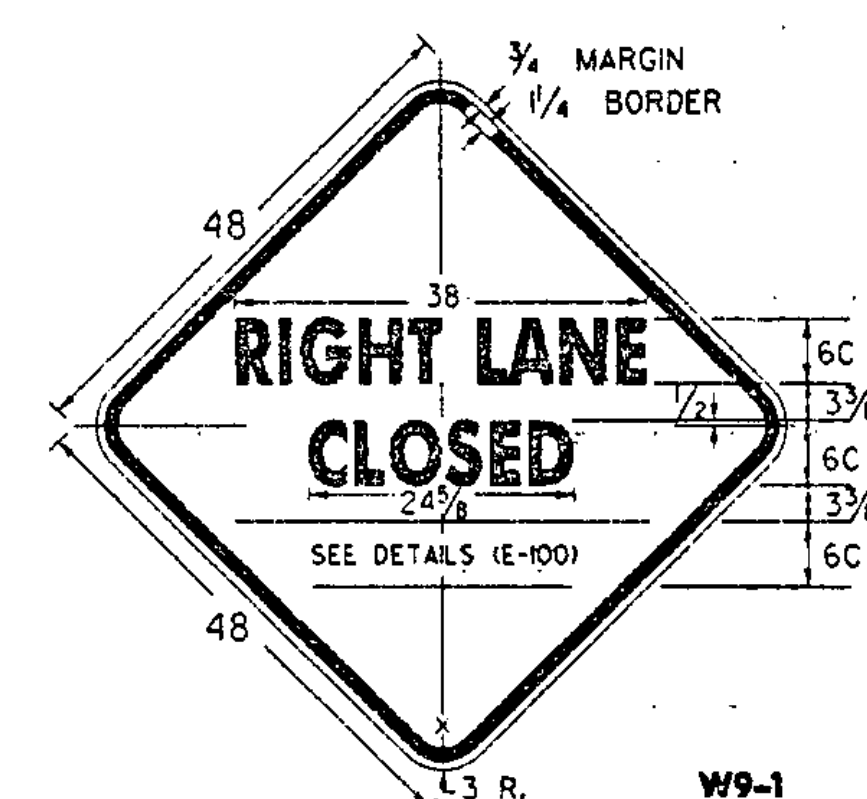


W8-11



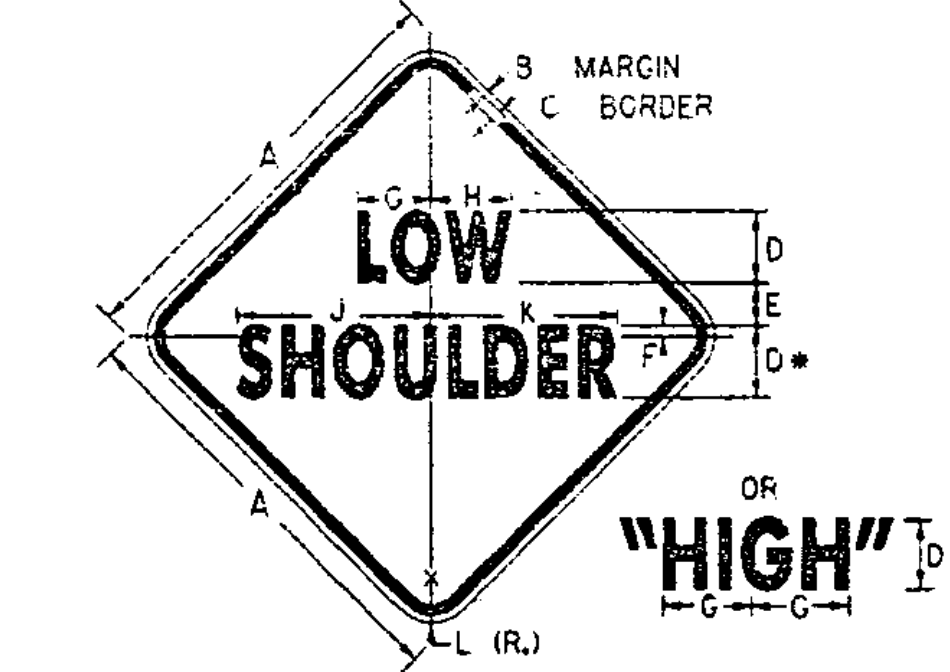
W8-12

* REDUCE SPACING 25%



W9-1

OR
LEFT LANE



W8-9

SIGN	DIMENSIONS (INCHES)										
	A	B	C	D	E	F	G	H	J	K	L
STD.	30	1 1/2	3/4	5C	3 1/2	5 3/8	5 3/8	13 5/8	13 5/8	1 1/2	
FRWY.	48	3/4	1 1/4	8C	5 1 1/2	8 1/4	9	2 1/2	20 3/4	3	

NOTES

SEE STANDARD SHEET E-100 FOR NOTES AND TEXT DETAILS
 COLORS FOR SIGNS SHOWN ON THIS SHEET SHALL BE BLACK TEXT, BORDER AND SYMBOLS ON A REFLECTORIZED TYPE II B OR TYPE III ORANGE BACKGROUND, UNLESS OTHERWISE NOTED.

SIGNS USED ONLY FOR DAYTIME MAINTENANCE OPERATIONS DO NOT NEED TO BE REFLECTORIZED, HOWEVER, THESE SIGNS SHALL BE LABELED "DAYTIME USE ONLY" ON THE BACK OF THE SIGN PANEL WITH 3" SERIES C LETTERS.

OTHER STDS. E-100 REQUIRED:



STANDARD
E-101

REVISIONS AND CORRECTIONS

OCT. 30, 1987 - DATE OF ORIGINAL ISSUE
 OCT. 21, 1992 - ADDED ADDITIONAL SIGN DIMENSIONS, REVISED CHEVRON BACKGROUND TO ORANGE, & REVISED TITLE BLOCK
 AUG. 08, 1995 - ADDED AND DELETED VARIOUS SIGN DETAILS

APPROVED

Stephen A. McAllen
 DIRECTOR OF ENGINEERING

David A. Ross
 TRAFFIC AND SAFETY ENGINEER

CONSTRUCTION SIGN
DETAILS

(ALL DIMENSIONS SHOWN IN INCHES)

APPROVED FOR THIS PROJECT AND/OR DESIGN IMPLEMENTATION, FHWA FINAL APPROVAL PENDING.

\\trcf\std\stcel01.dgn : stdel01