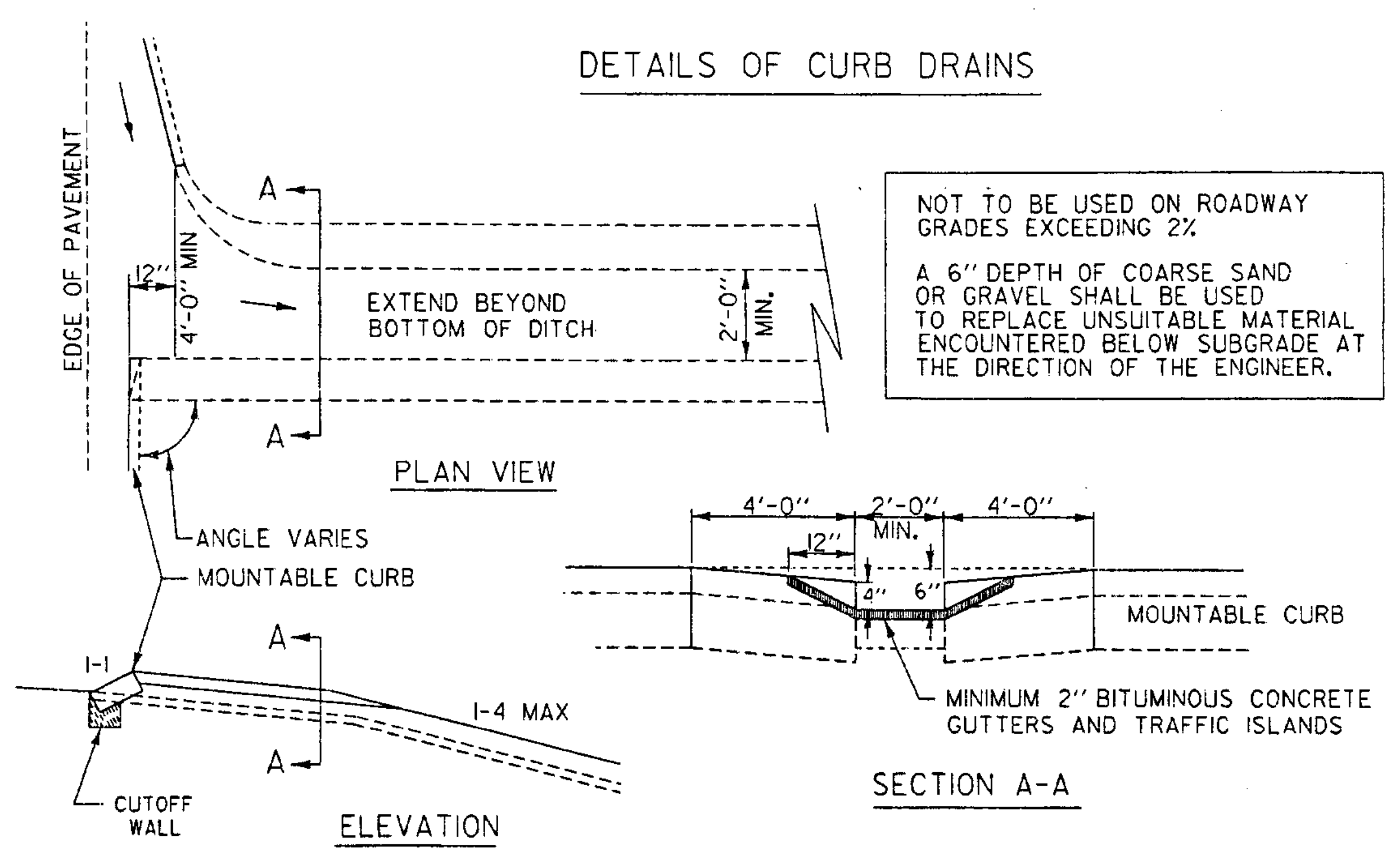
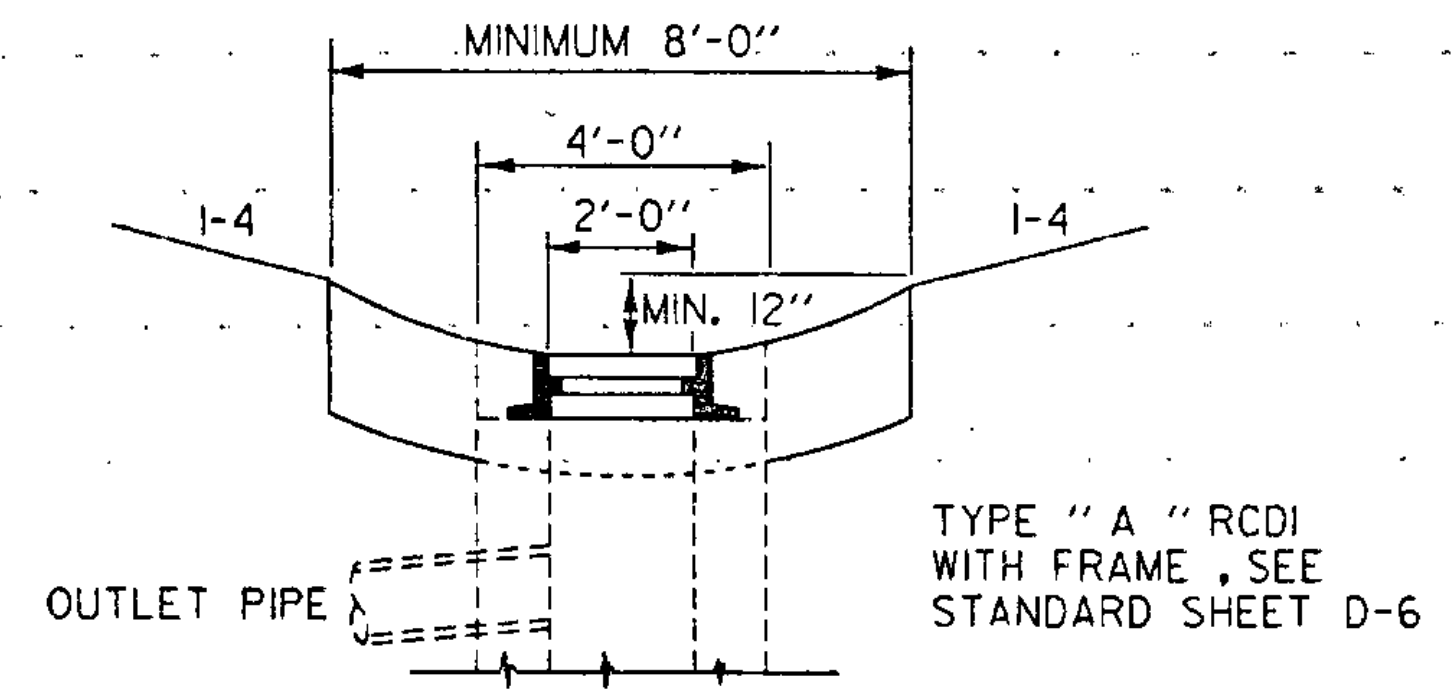


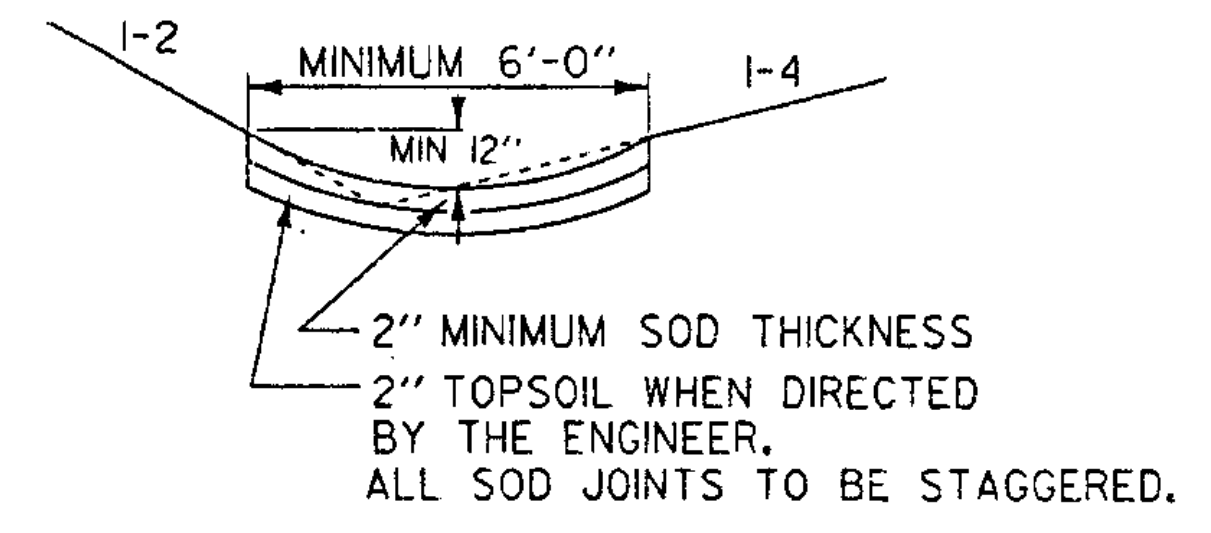
DETAILS OF CURB DRAINS



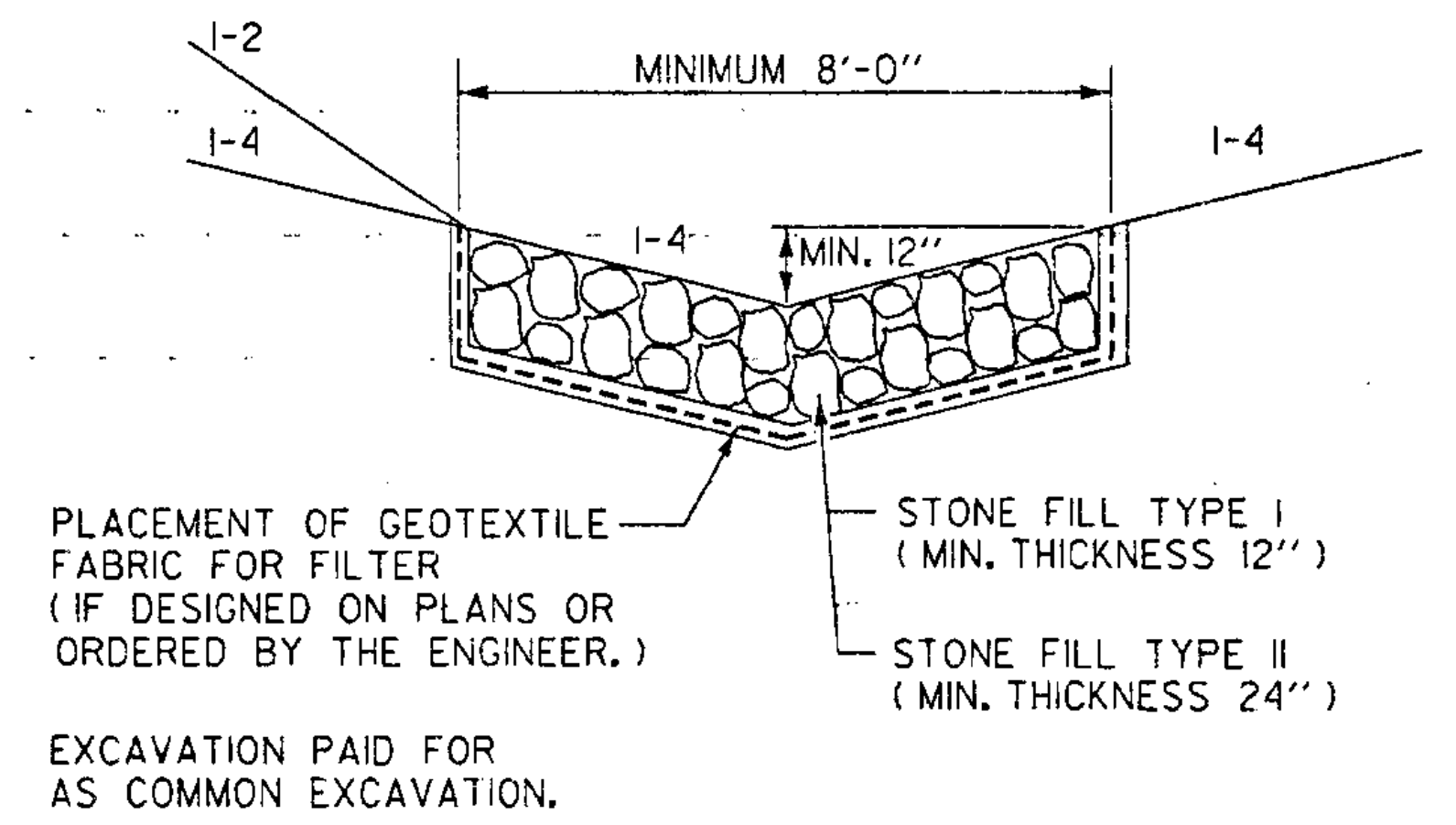
DROP INLET WITH GRATE IN TREATED GUTTER



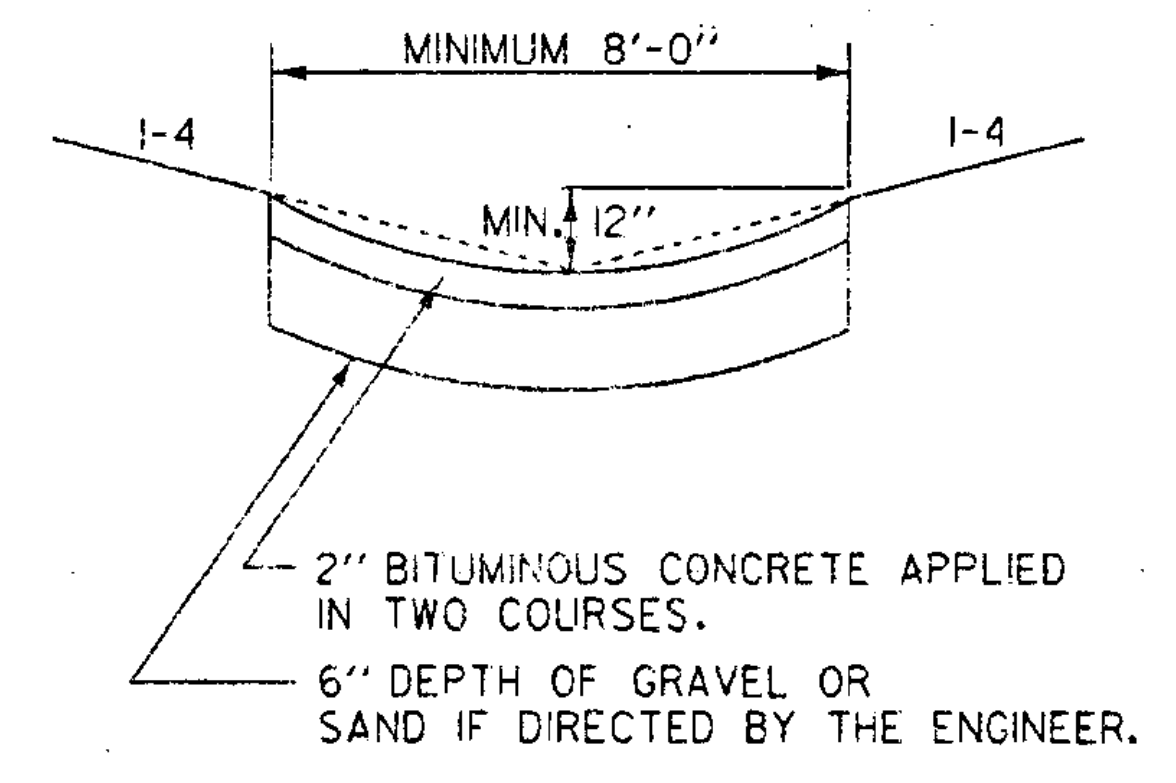
SODDING



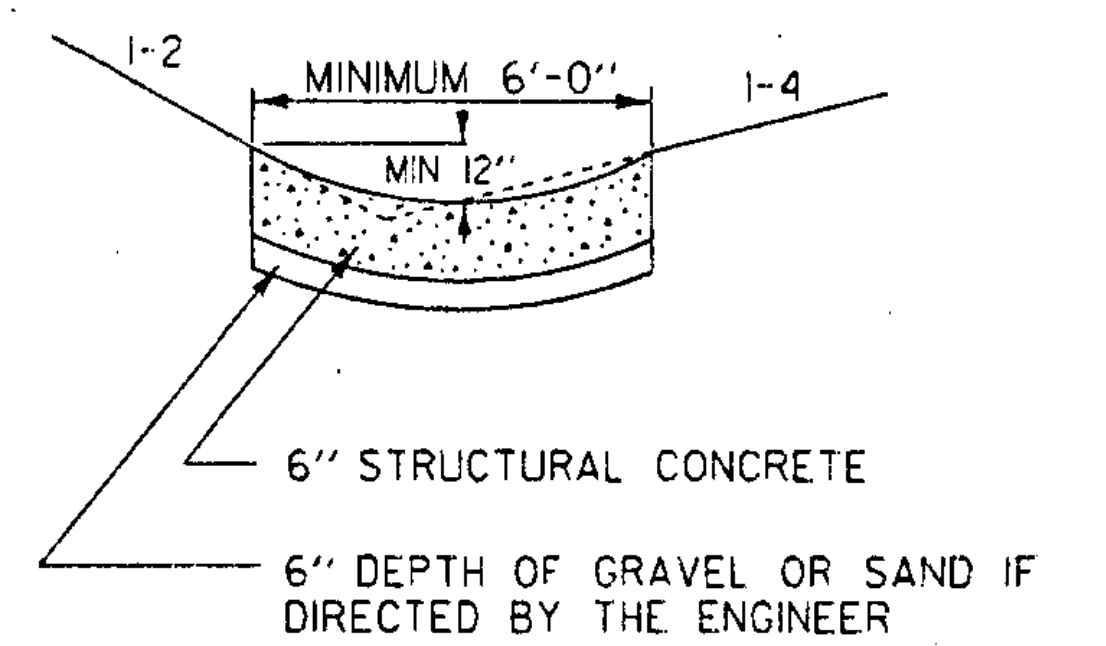
STONE FILL TYPE I  
STONE FILL TYPE II



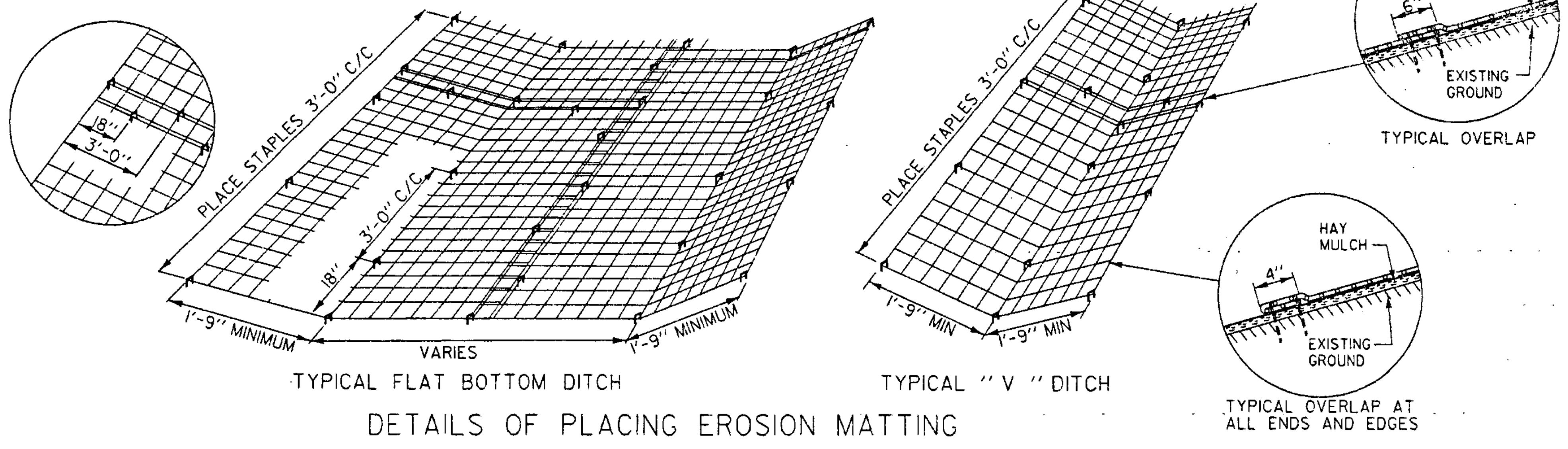
BITUMINOUS CONCRETE GUTTERS AND TRAFFIC ISLANDS



PORTLAND CEMENT CONCRETE GUTTER



ON ALL OVERLAPS, PLACE STAPLES EVERY 18", ALTERNATING ON BOTH SIDES OF 6" OVERLAP.



REVISIONS AND CORRECTIONS  
APR. 2, 1986 - ORIGINAL APPROVAL DATE  
JUNE 1, 1994 - REISSUED, WITHOUT CHANGE, UNDER NEW SIGNATURES.

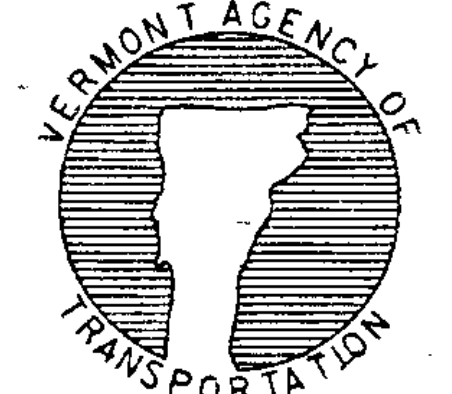
APPROVED

APPROVED FOR THIS PROJECT AND/OR DESIGN IMPLEMENTATION. FHWA FINAL APPROVAL PENDING.

*Stephen W. McArthur PE*  
DIRECTOR OF ENGINEERING

*Robert Murphy PE*  
DESIGN ENGINEER

TREATED GUTTERS



STANDARD  
D-3