

TYPICAL SECTIONS



50 mm BITUMINOUS CONCRETE PAVEMENT (1 LIFT = TYPE III)
 380 mm SUBBASE OF DENSE GRADED CRUSHED STONE
 500 mm SAND BORROW

NOTES

- PAVEMENT TOLERANCE = ± 5 mm. (TOTAL DEPTH)
 DENSE GRADED CRUSHED STONE = ± 30 mm (TOTAL DEPTH ALL LAYERS)
 SAND BORROW = ± 30 mm (TOTAL DEPTH ALL LAYERS)

RURAL AREA SEED FORMULA

% MASS	kg/ha	NAME	PUR %	GERM %
37.1	26	CREeping RED FESCUE	98	85
37.1	26	TALL FESCUE	95	90
5.7	4	RED TOP	95	90
14.4	10	BIRDSFOOT TREFOIL	98	85
5.7	4	ANNUAL RYE GRASS	95	85
100.0	70			

SEED MIXTURE:

SHALL NOT HAVE A WEED CONTENT EXCEEDING 0.40% BY MASS AND SHALL BE FREE OF ALL NOXIOUS SEED.

SEED:

TO BE APPLIED PER SEEDING FORMULA OR AS DIRECTED BY THE ENGINEER.

FERTILIZER:

FORMULA 10-20-10, TO BE USED WITH SEED, APPLIED AT THE RATE OF 560 kg/ha. (HYDRO-SEEDERS MAY USE 19-19-19 FORMULA)

AGRICULTURAL LIMESTONE:

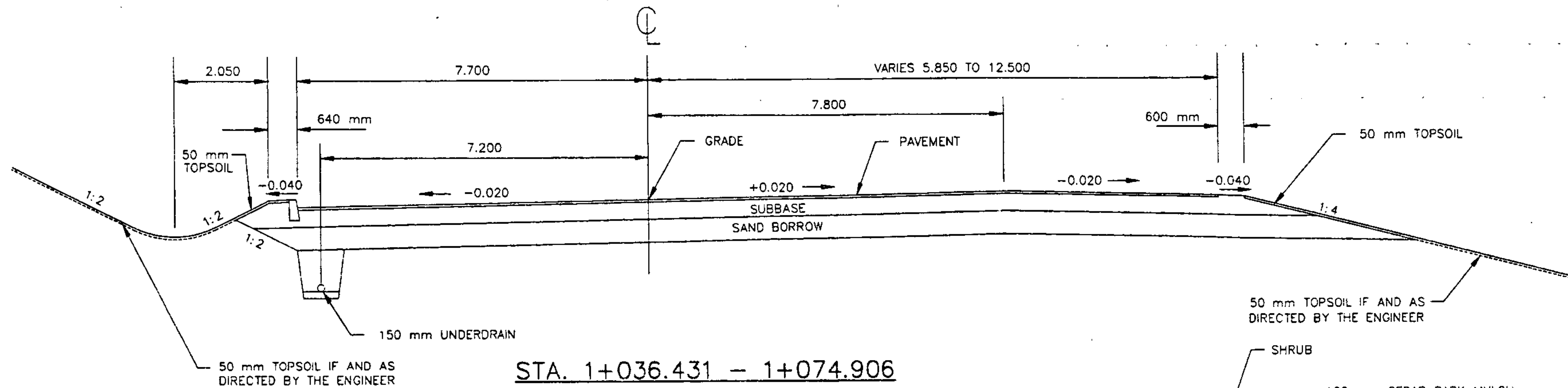
TO BE APPLIED AT THE RATE OF 4500 kg/ha, OR AS DIRECTED BY THE ENGINEER.

HAY MULCH:

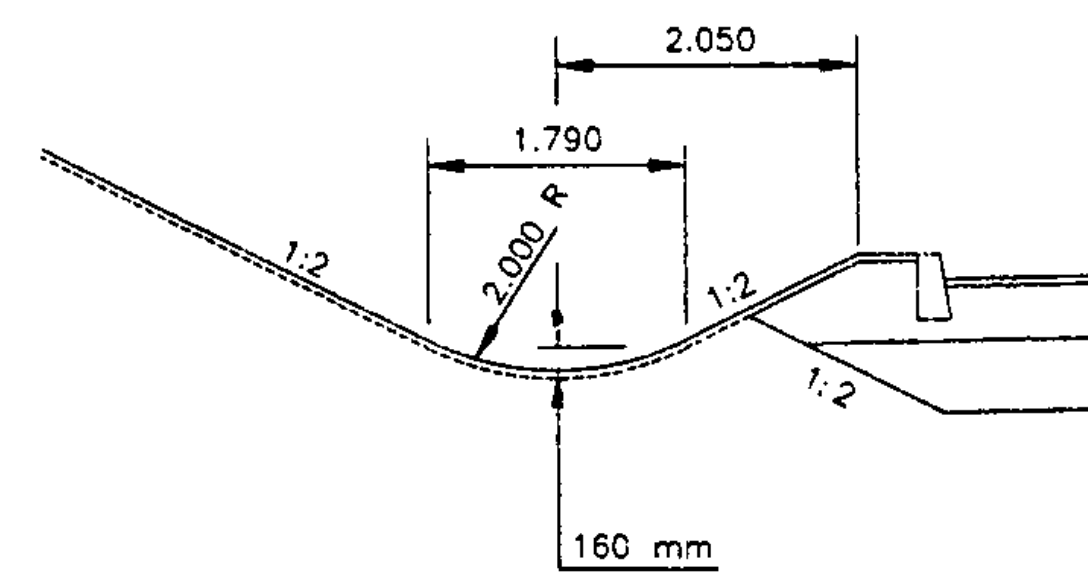
TO BE PLACED ON EARTH SLOPES AT THE RATE OF 4500 kg/ha, OR AS DIRECTED BY THE ENGINEER.

TOPSOIL:

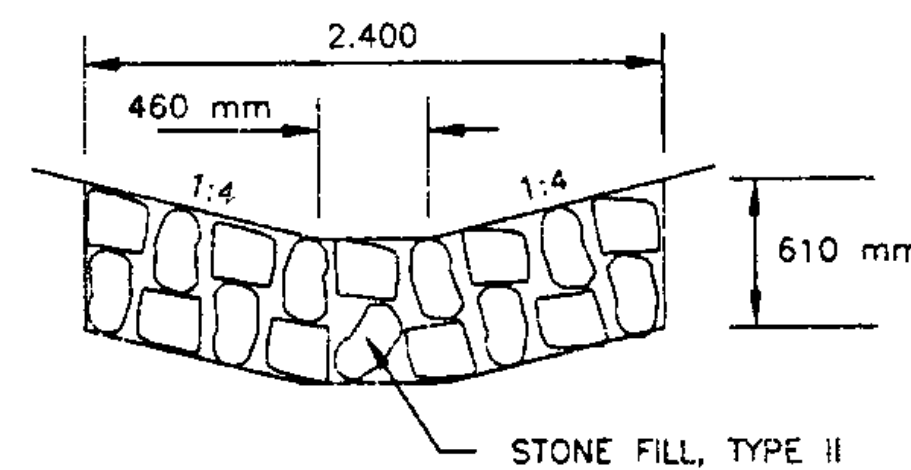
TO BE USED AS INDICATED ON THE PLANS, OR AS DIRECTED BY THE ENGINEER.



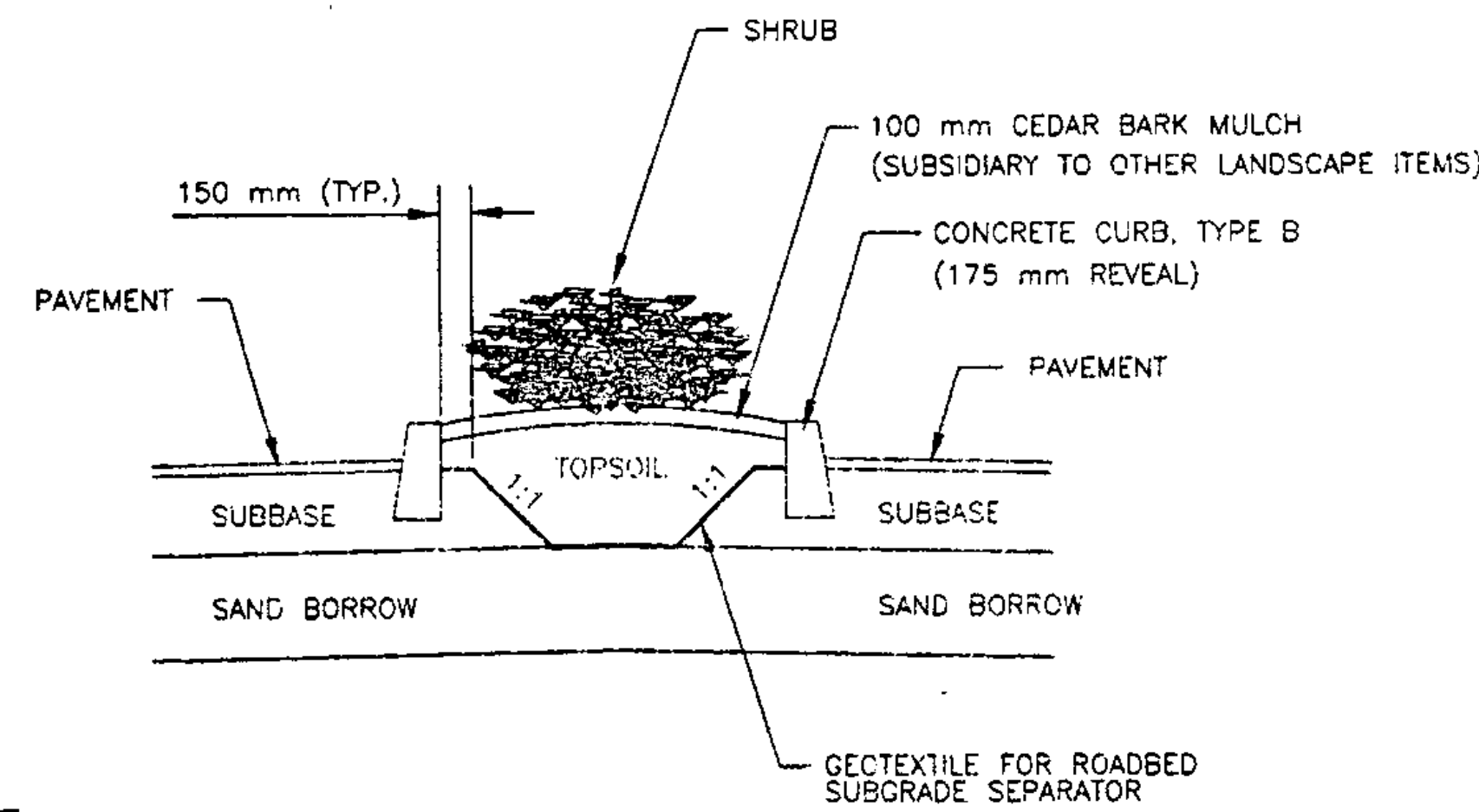
STA. 1+036.431 - 1+074.906



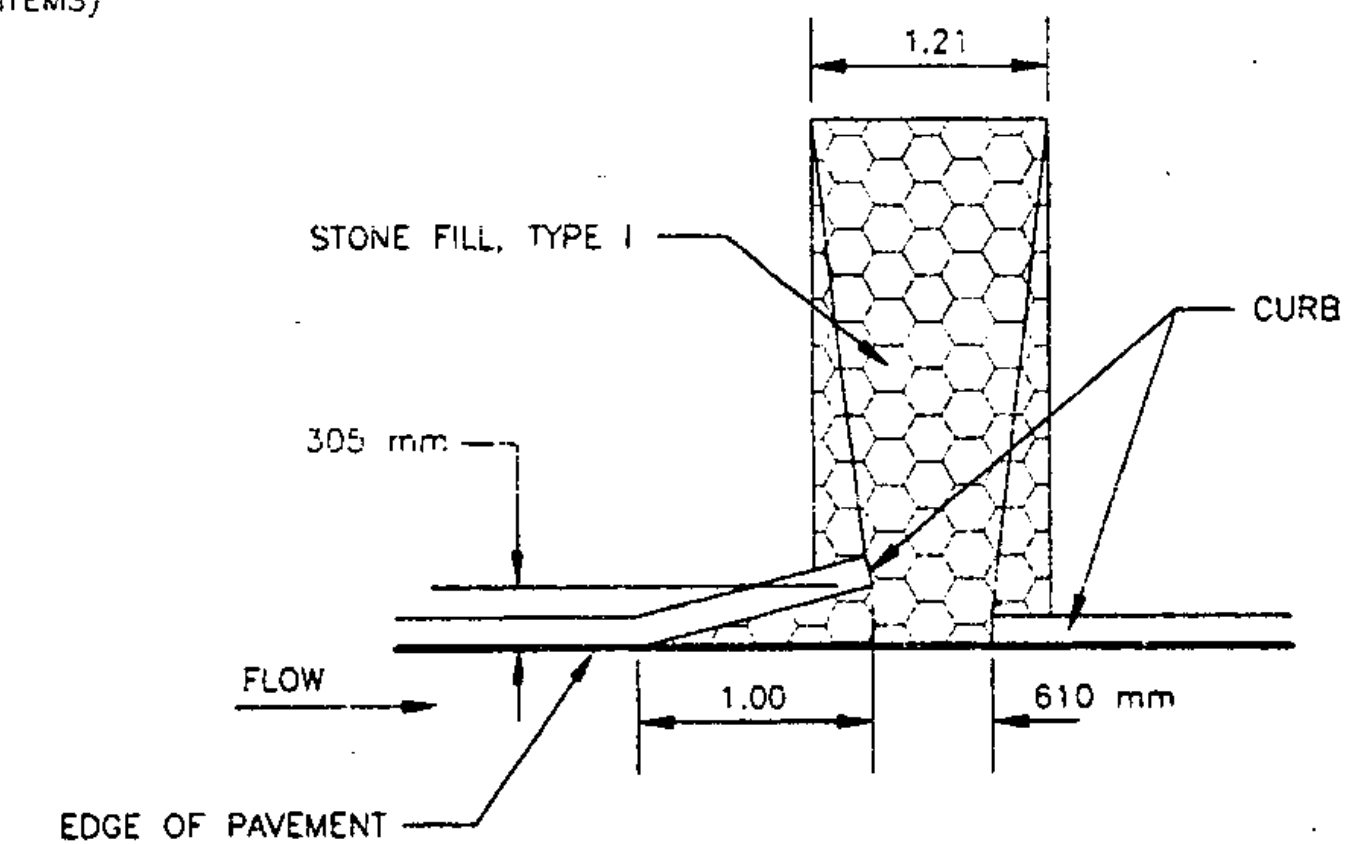
DITCH ROUNDING DETAIL



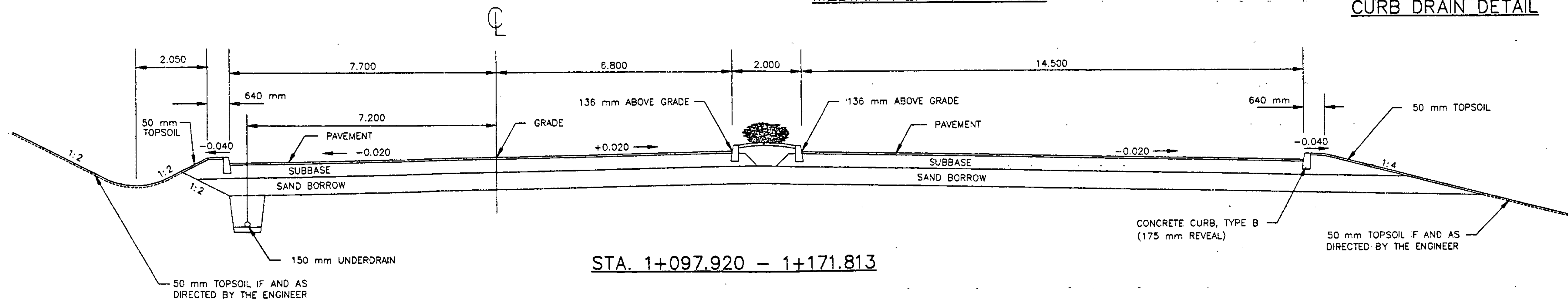
DITCH TYPICAL
 STA. 1+166.6 RT - 1+186.3 LT



MEDIAN PLANTER DETAIL



CURB DRAIN DETAIL



STA. 1+097.920 - 1+171.813

ALL DIMENSIONS IN METERS
 UNLESS OTHERWISE NOTED

TYPICAL SECTIONS	PREPARED BY	VSE	DATE	11/95
	CHECKED BY	VSE	DATE	11/95
	DESIGN SUPERVISOR	GAK	DATE	11/95
	PROJ.	RICHMOND CMG PARK(4)		
SHEET 2 OF 22 SHEETS				