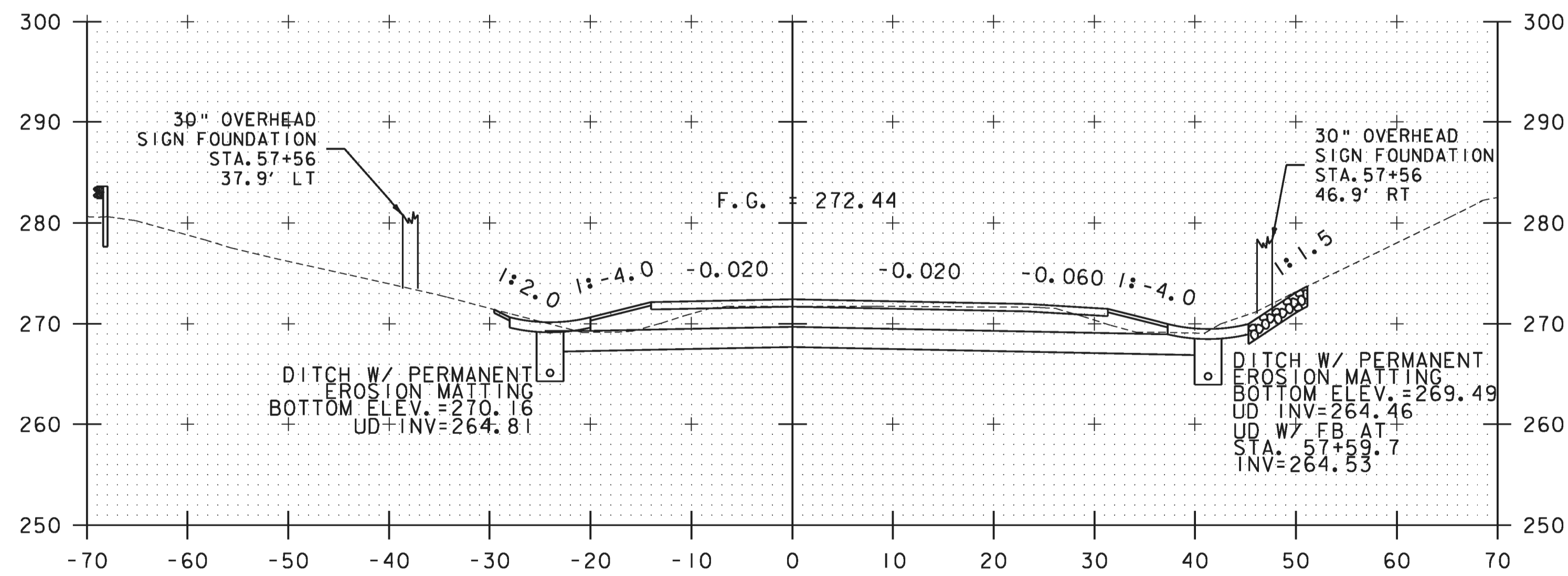
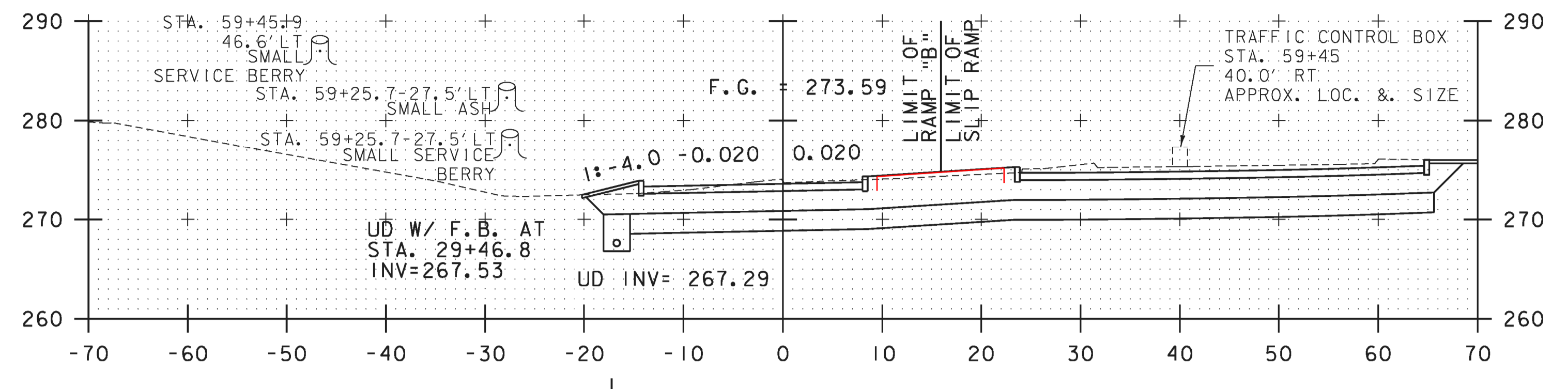


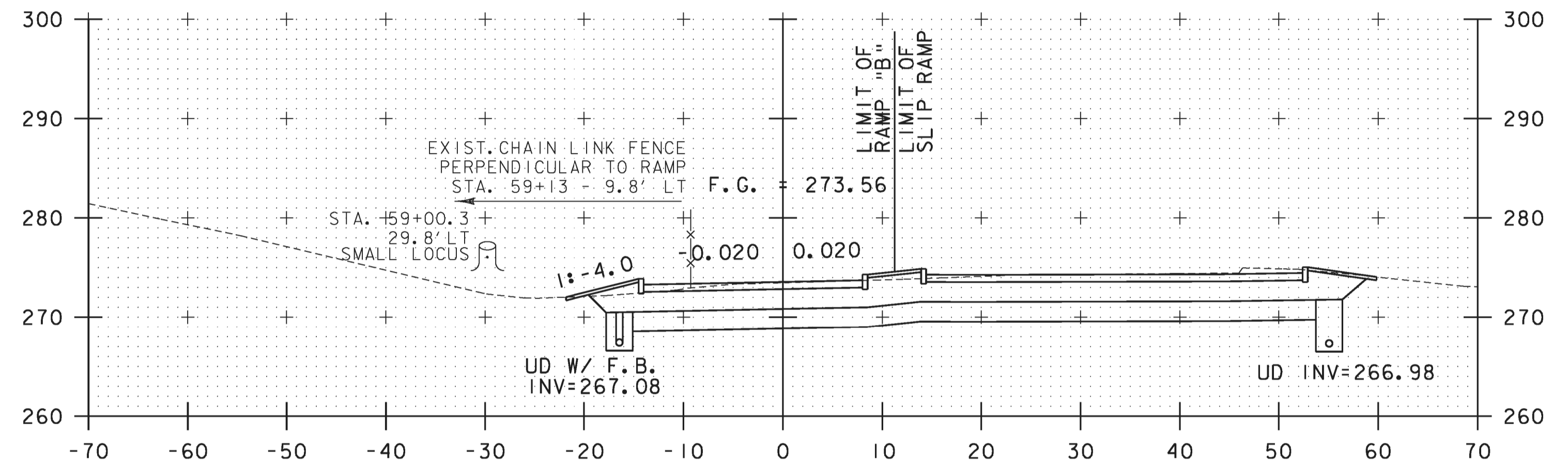
58+00



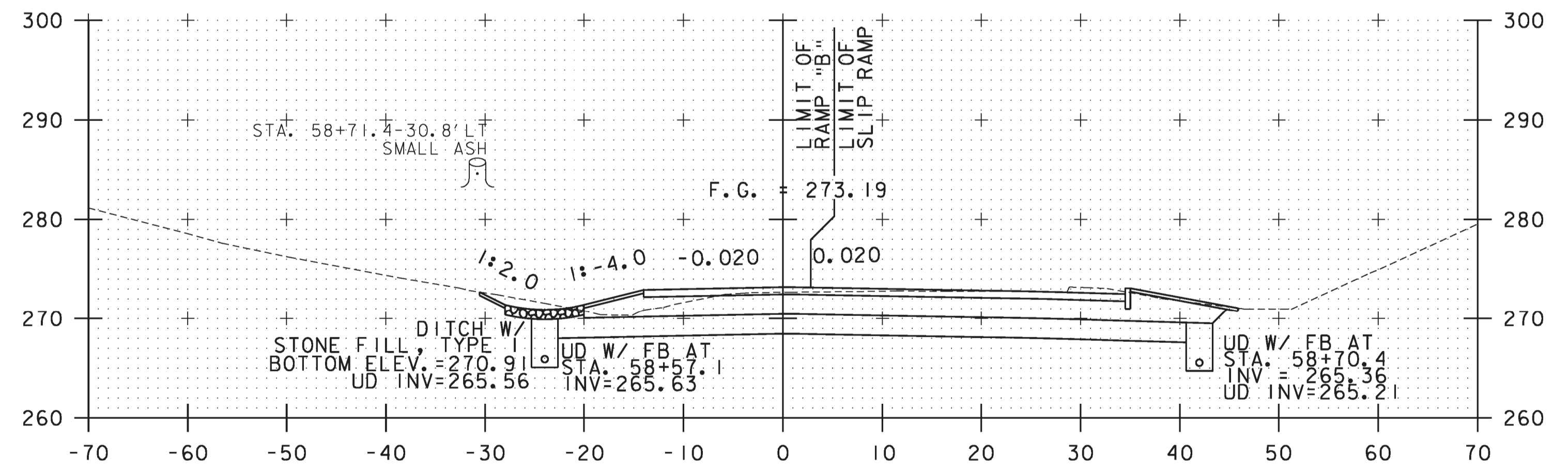
57+50



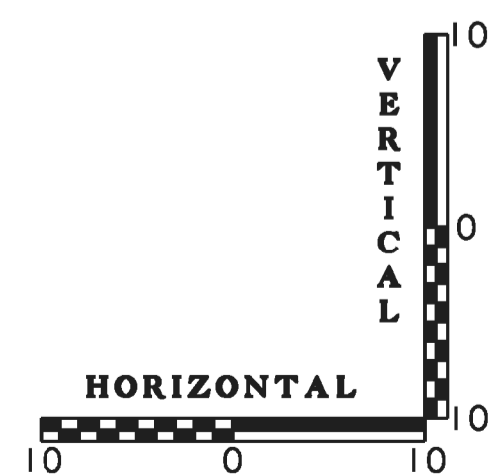
59+18.63 PC



59+00



58+50



PROJECT NAME:	WINOOSKI
PROJECT NUMBER:	NH 089-3(65)
FILE NAME:	z94a198xsl.dgn
PROJECT LEADER:	KEN UPMAL
DESIGNED BY:	T.BIGELOW
RAMP "B" CROSS SECTIONS SHEET 4	
PLOT DATE:	2/22/2010
DRAWN BY:	T.BIGELOW
CHECKED BY:	E.ATKINS
SHEET	63 OF 67