

GPS CONTROL POINTS

HVCTRL #1
189 EXIT 15

NORTH = 727051.243
EAST = 1464741.437
ELEV. = 279.76

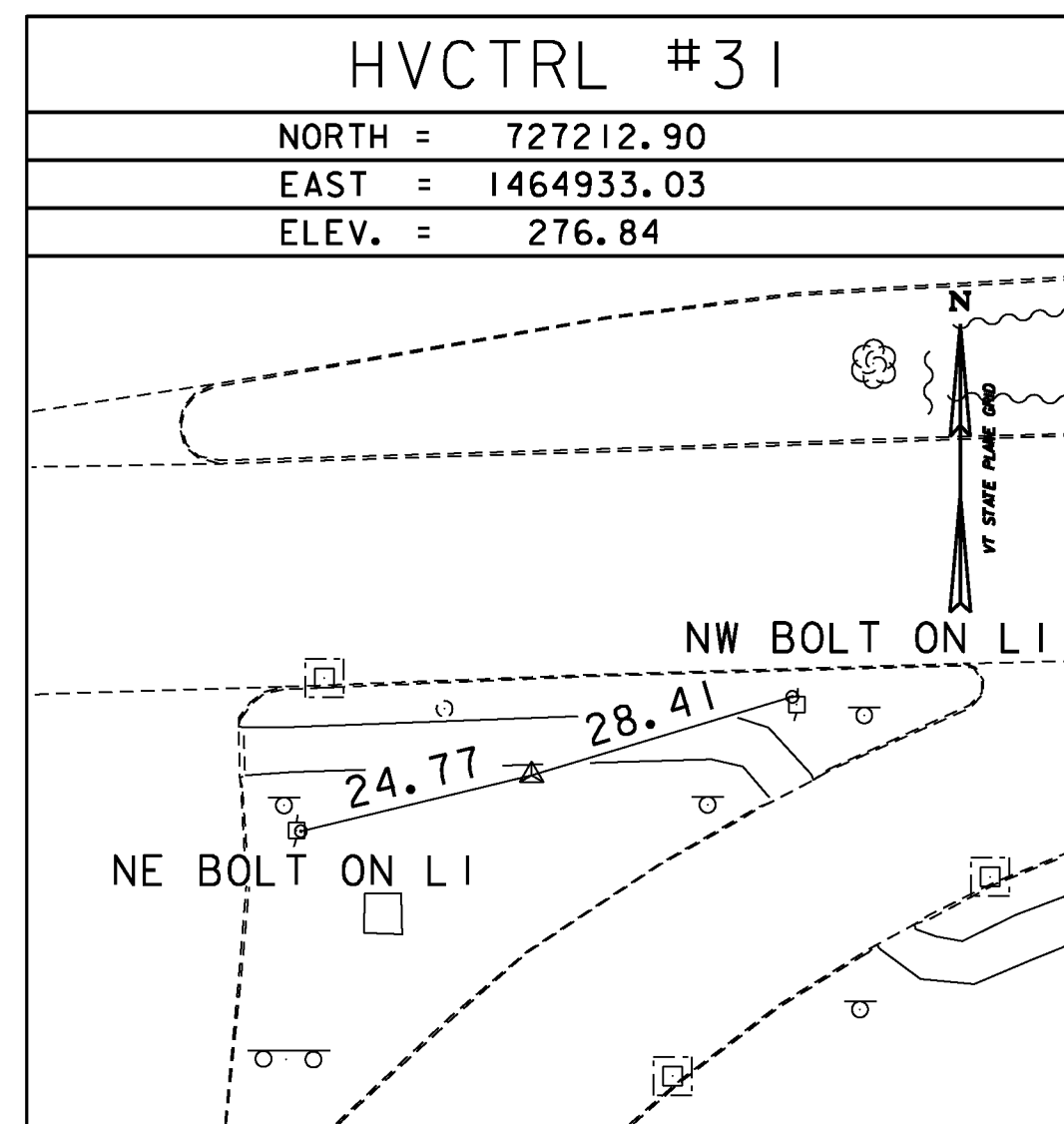
GENERAL LOCATION, SOUTH BURLINGTON, VT. TO REACH FROM THE I-89 SOUTHBOUND BRIDGE OVER VT ROUTE 15 (ETHAN ALLEN STREET) AT EXIT 15 IN WINOOSKI, GO SOUTHWEST ALONG I-89 SOUTHBOUND FOR 0.6 MI (0.97 KM) TO THE SITE OF THE MARK ON THE LEFT IN THE MEDIAN, JUST NORTHEAST OF A GRAVEL U-TURN. THE MARK IS SET FLUSH WITH GROUND SURFACE IN THE TOP OF A 30 CM (12 INCH) DIAMETER CONCRETE MONUMENT. IT IS 3.9 M (12.8 FT) SOUTHEAST OF AND ABOUT LEVEL WITH THE I-89 SOUTHBOUND SOUTHEAST EDGE OF PAVEMENT, 8.7 M (28.5 FT) NORTHWEST OF THE I-89 NORTHBOUND NORTHWEST EDGE OF PAVEMENT, 1.8 M (5.9 FT) WEST OF A STEEL BEAM GUARD RAIL, 7.0 M (23.0 FT) NORTH NORTHEAST OF A U-TURN SIGN, 16.5 M (54.1 FT) NORTHEAST OF THE CENTERLINE OF THE U-TURN, AND 0.4 M (1.3 FT) SOUTHWEST OF A FIBERGLASS WITNESS POST.

HVCTRL #2

189 EXIT 15 AZ MK
NORTH = 724183.456
EAST = 1464515.070
ELEV. = 204.39

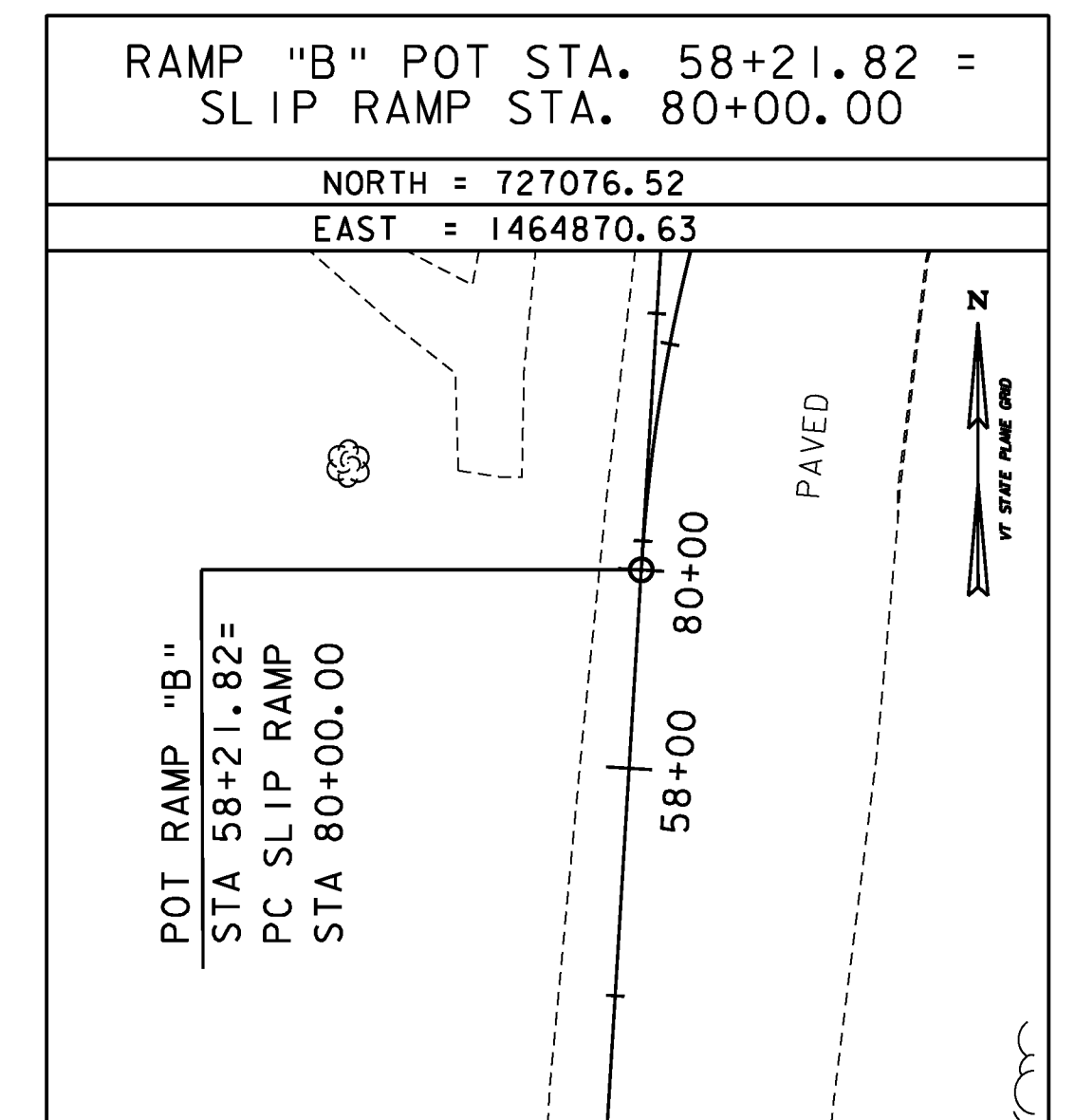
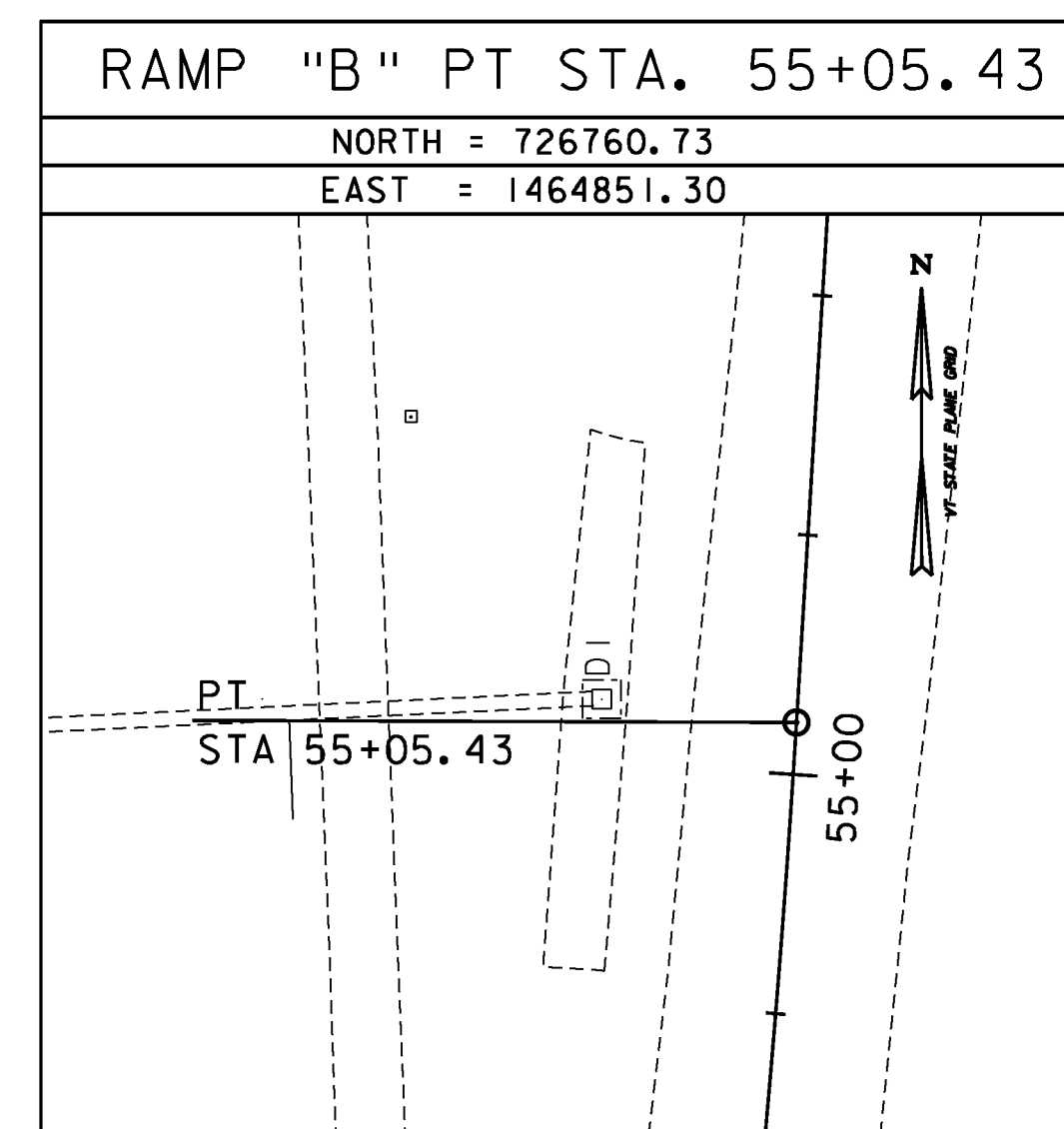
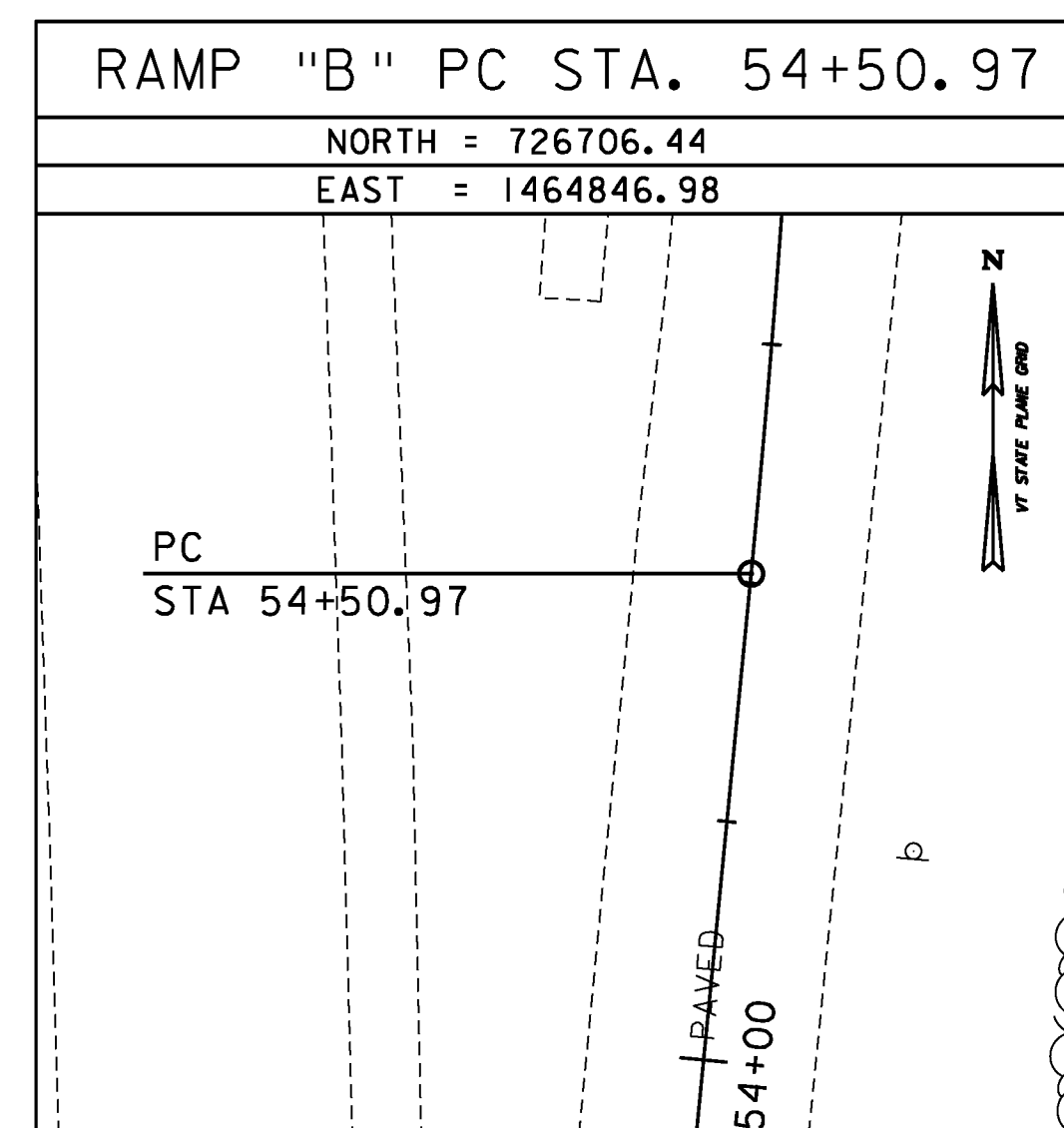
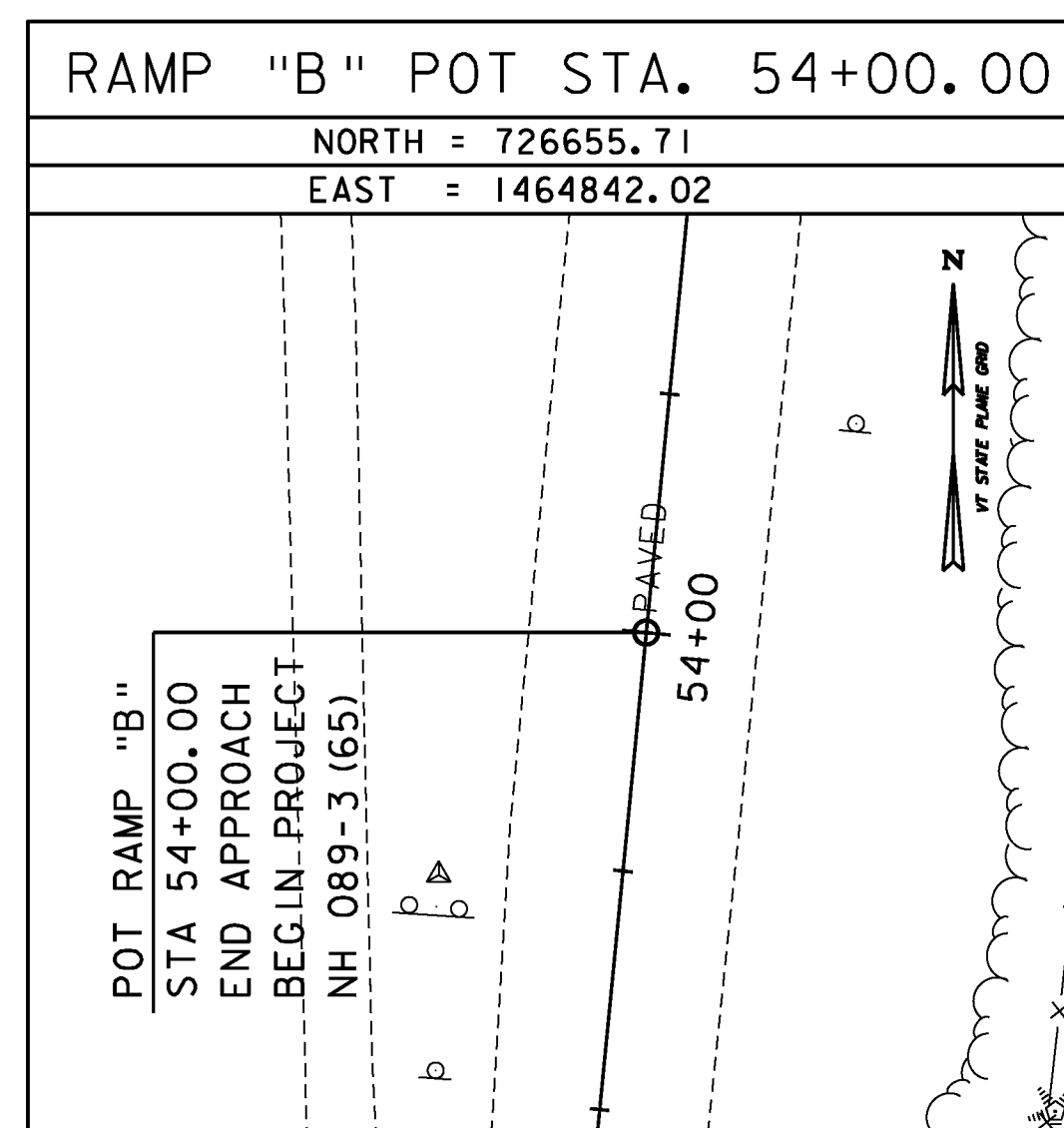
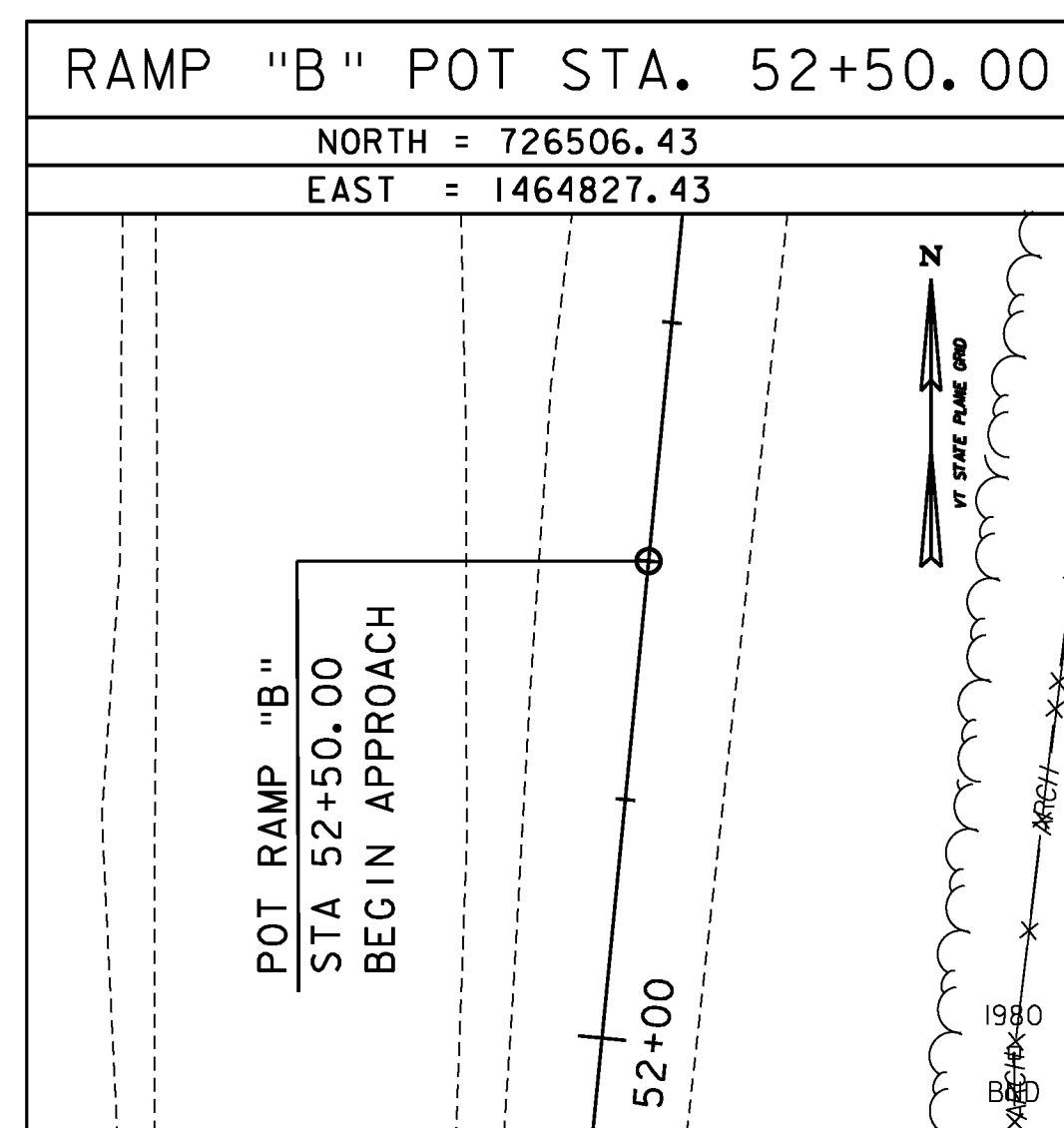
GENERAL LOCATION, WINOOSKI, VT. TO REACH FROM THE I-89 SOUTHBOUND BRIDGE OVER VT ROUTE 15 (ETHAN ALLEN STREET) AT EXIT 15, GO SOUTH ALONG I-89 SOUTHBOUND FOR ABOUT 30 M (98.4 FT) TO THE SITE OF THE MARK ON THE LEFT IN THE MEDIAN. THE MARK IS SET FLUSH WITH GROUND SURFACE IN THE TOP OF A 30 CM (12 INCH) DIAMETER CONCRETE MONUMENT. IT IS 7.4 M (24.3 FT) EAST OF AND ABOUT 0.2 M (0.7 FT) HIGHER THAN THE I-89 SOUTHBOUND EAST EDGE OF PAVEMENT, 5.2 M (17.1 FT) WEST OF THE I-89 NORTHBOUND WEST EDGE OF PAVEMENT, 2.8 M (9.2 FT) WEST SOUTHWEST OF THE MOST SOUTHERLY WOODEN POST FOR A STEEL BEAM GUARD RAIL, AND 0.5 M (1.6 FT) SOUTH OF A FIBERGLASS WITNESS POST.

TRAVERSE TIES

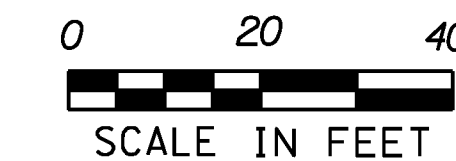


* Main Traverse Completed 04/03/08 by L.Orvis P.C. & G.Hitchcock

ALIGNMENT TIES



DATUM	
VERTICAL	NAVD 88
HORIZONTAL	NAD 83(96)
ADJUSTMENT	Compass



PROJECT NAME:	WINOOSKI	FILE NAME:	z94a198+1.dgn	PLOT DATE:	2/22/2010
PROJECT NUMBER:	NH 089-3(65)	PROJECT LEADER:	KEN UPMAL	DRAWN BY:	A. ACHARYA
		DESIGNED BY:	A. ACHARYA	CHECKED BY:	E. ATKINS
		TIE SHEET I		SHEET	15 OF 67