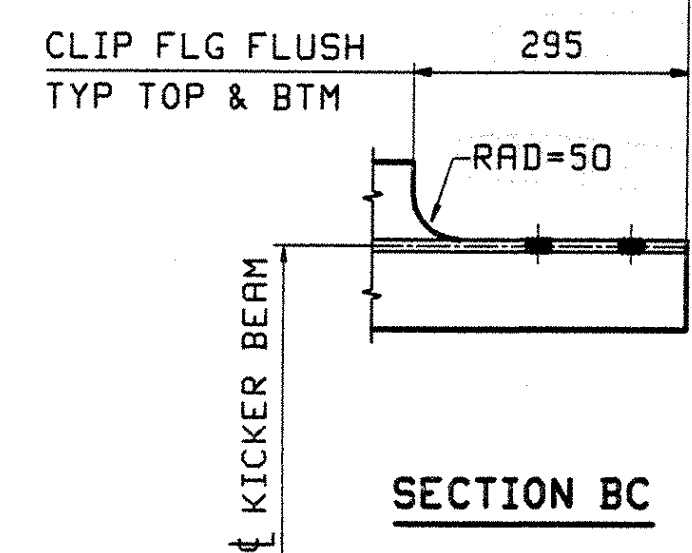
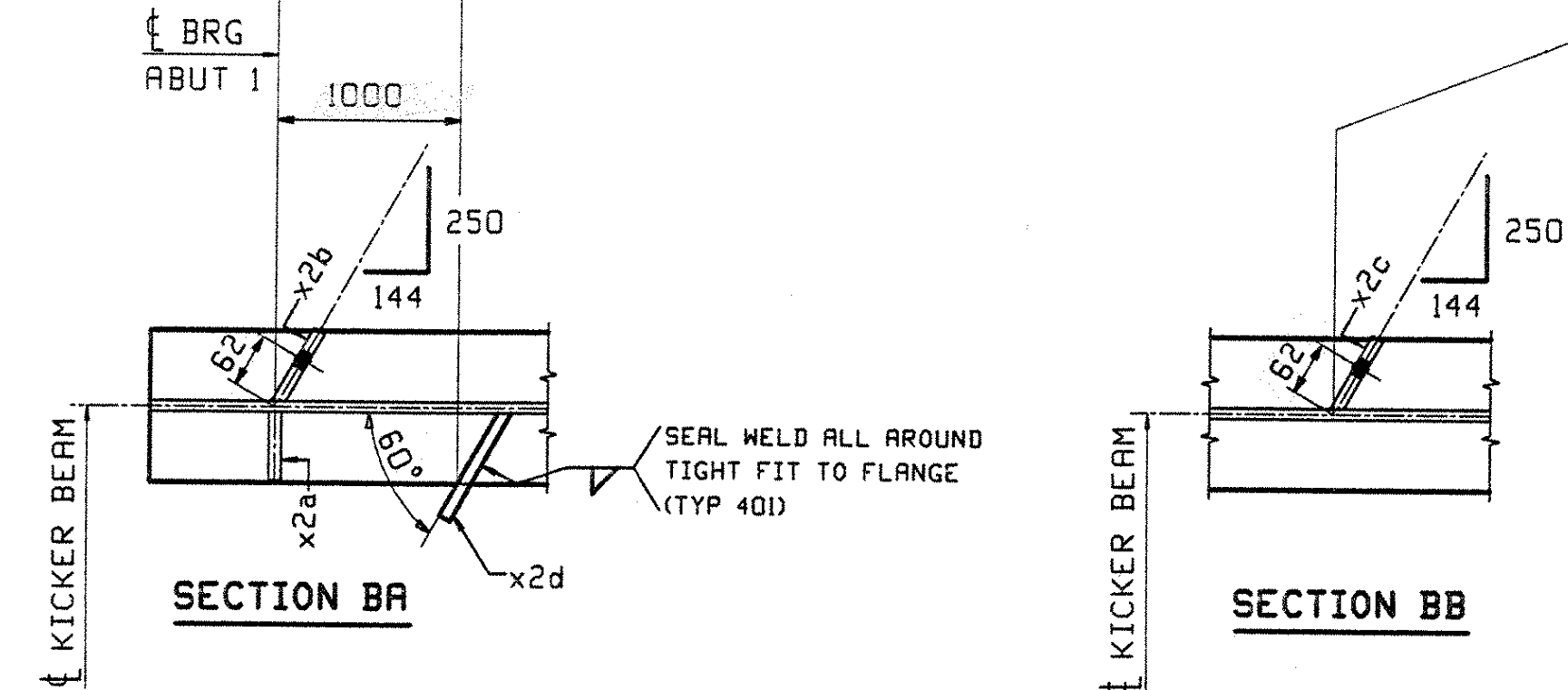
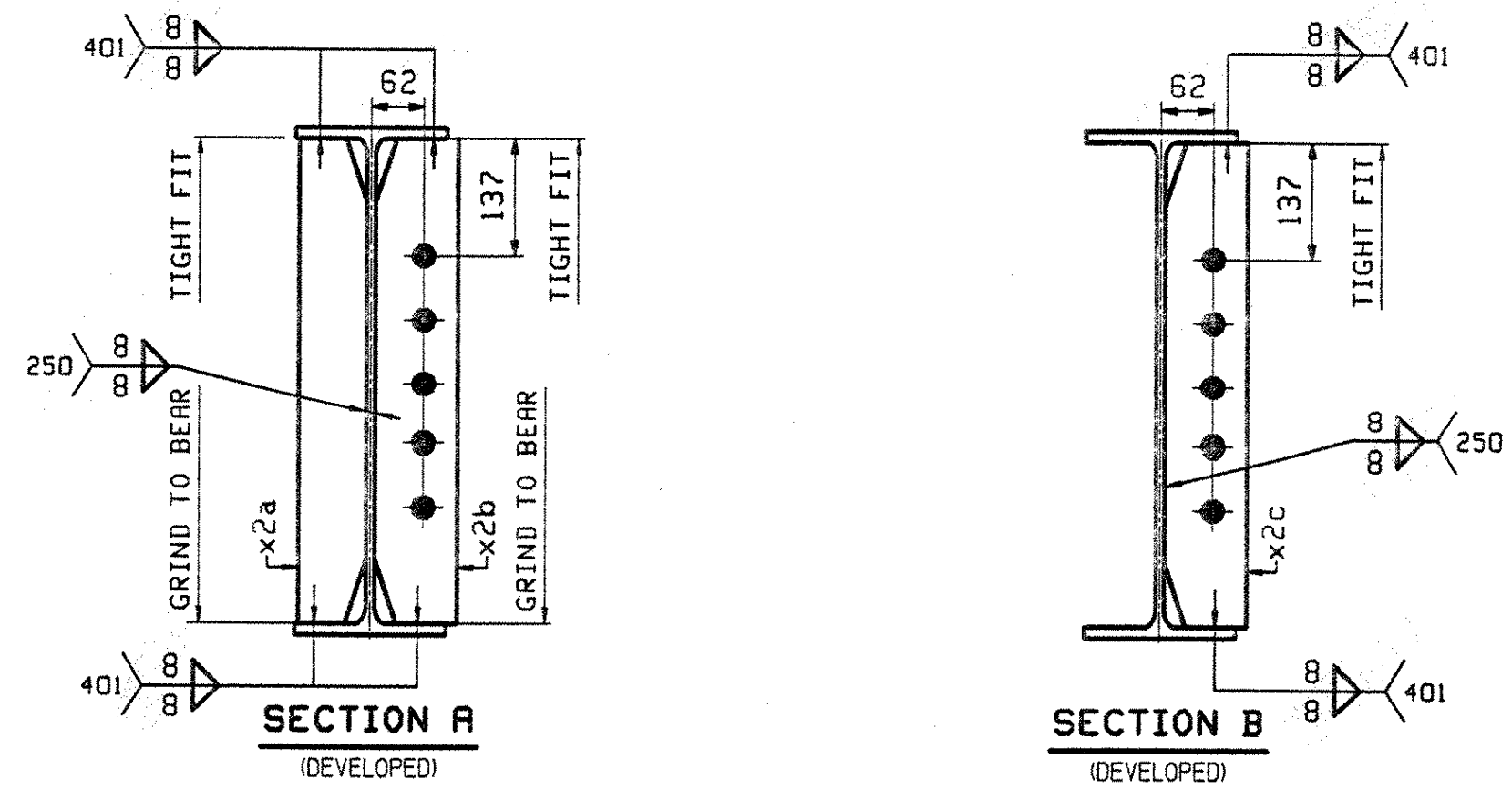
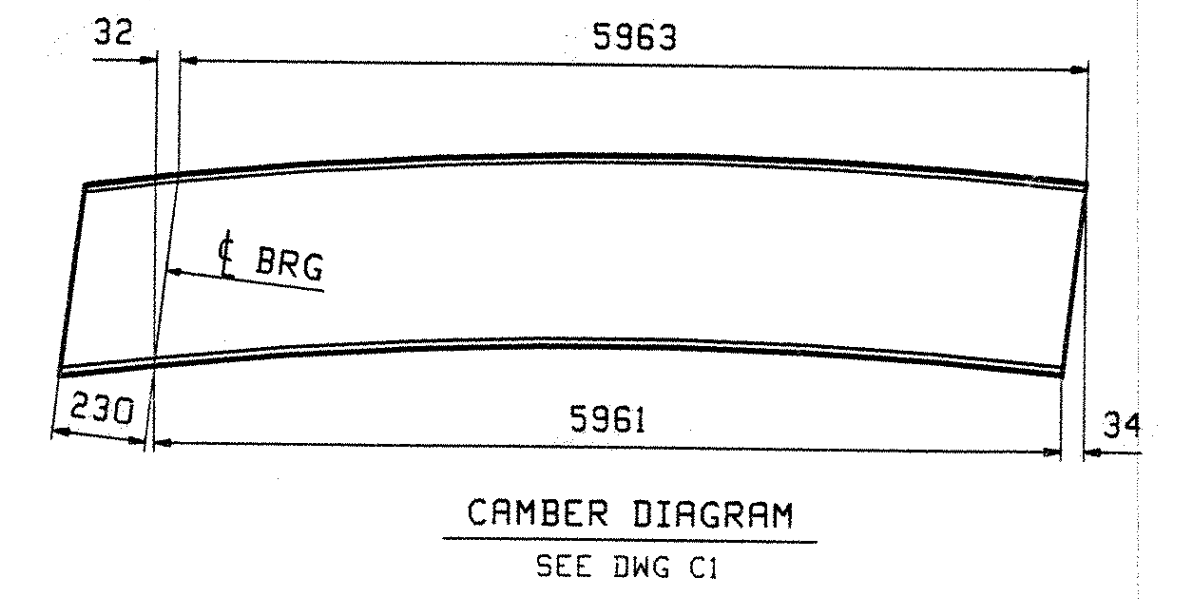


**ONE - KICKER BEAM - 10S10**  
 FOR KICKER BEAM STANDARD DETAILS SEE DRAWING X2.  
 FOR CAMBER DIAGRAM SEE DRAWING C1.  
 FOR GENERAL NOTES SEE DRAWING GNI.  
 H2-3 DENOTES MATERIAL SUBJECT TO CHARPY V-NOTCH TESTING.

NOTE "A"  
 BOTTOM FLANGE SHALL BE TRULY AT A RIGHT ANGLE TO THE WEB FOR A LENGTH AS NOTED ON EITHER SIDE OF BEARING.



BILL OF MATERIAL					JOB NO.	DRAWING NO.	REV.
ABM INFO	SHIP	MARK	QTY	MATERIAL	REMARKS	MT	PROCUREMENT NOTES
10S10			1	STRINGER			532 kg 1122 lb
1	A		1 wa	M 610x82	(M270M-345MT2)	(H2-3)	
3	E		1 x2a	PL 18x80			MIF
3	D		1 x2b	PL 18x100			MIF
3	F		1 x2c	PL 14x100			
3	M		1 x2d	PL 6x65			



OUT FOR APPROVAL	4/4/03						
OUT FOR APPROVAL							
ISSUED TO SHOP							
FIELD & OFFICE							

REV.	REMARKS	DATE	DMN	CHK	APP	Q.A.	NO.	DIA.	LGT	TYPE	WASHER
	MATERIAL:										
	M270M-345W							24mm (15/16")			

SURFACE PREP. & PAINT:  
 -ALL STEEL SHALL BE BLAST CLEANED AND LEFT UNPAINTED.

DESCRIPTION:	KICKER BEAM - 10S10	DRAWN BY	DATE
JOB:	US 5 OVER WHETSTONE BROOK	JTB	03/20
	BRIDGE NO. 7	CHKD BY	
	BRATTLEBORO, VERMONT (WINDHAM COUNTY)	EPE	04/07
	CONTRACTOR: RENAUD BROTHERS	APPROV BY	
		SUPERVISOR	H. J. GATTI

PROJ NO.	BHF 2000(17)	Q.A.	
CUSTOMER:	VERMONT AGENCY OF TRANSPORTATION		100
<b>CASCO BAY STEEL STRUCTURES, INC.</b>		JOB NO.	DRG. NO.
75 SPRING HILL ROAD	SACO, MAINE 04072	194	10
PHONE (207) 282-7360	FAX. (207) 282-1179	REV.	△

V.A.O.T.  
 RECEIVED  
 OK'D BY S.S.S. OK'D BY J.M.P.  
 4/12/03 APR 15 2003 4/21/03  
 RESUBMIT APPROVED X  
 BY DATE