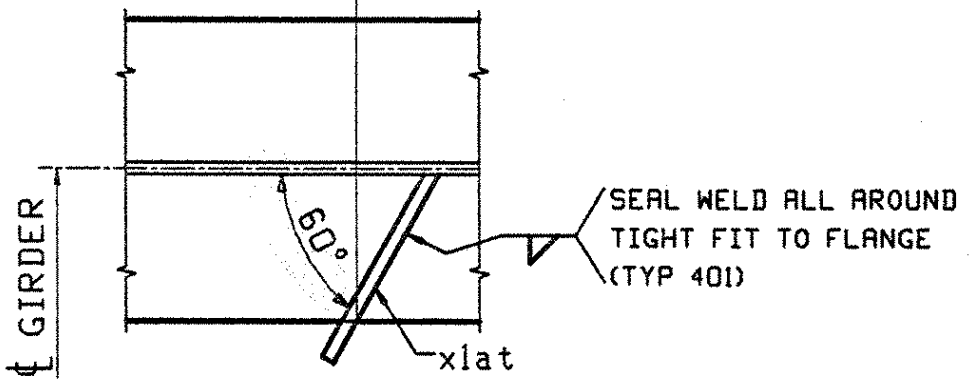
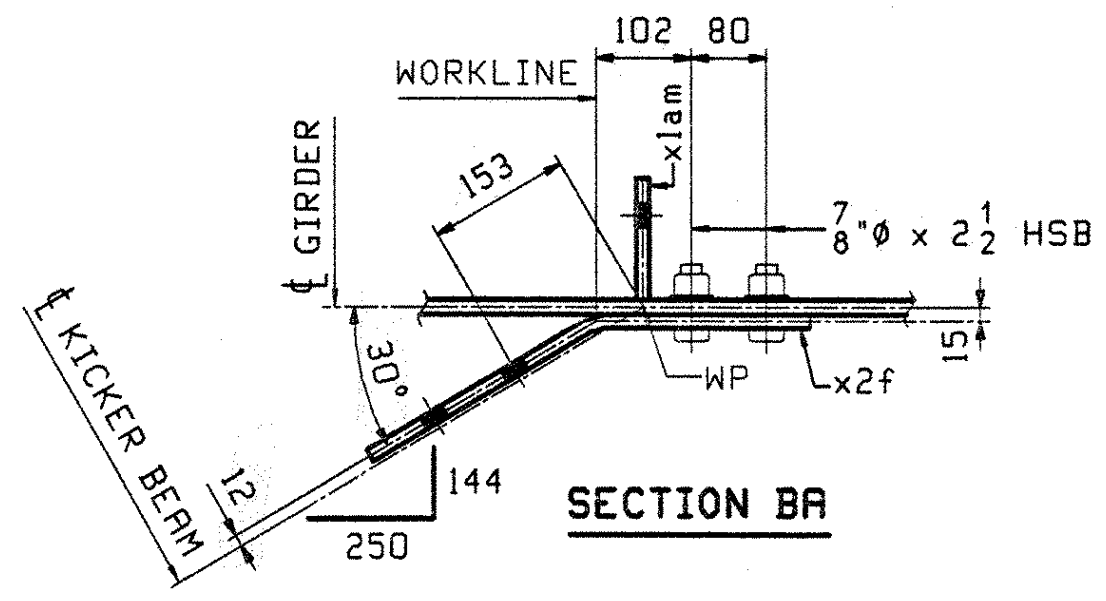


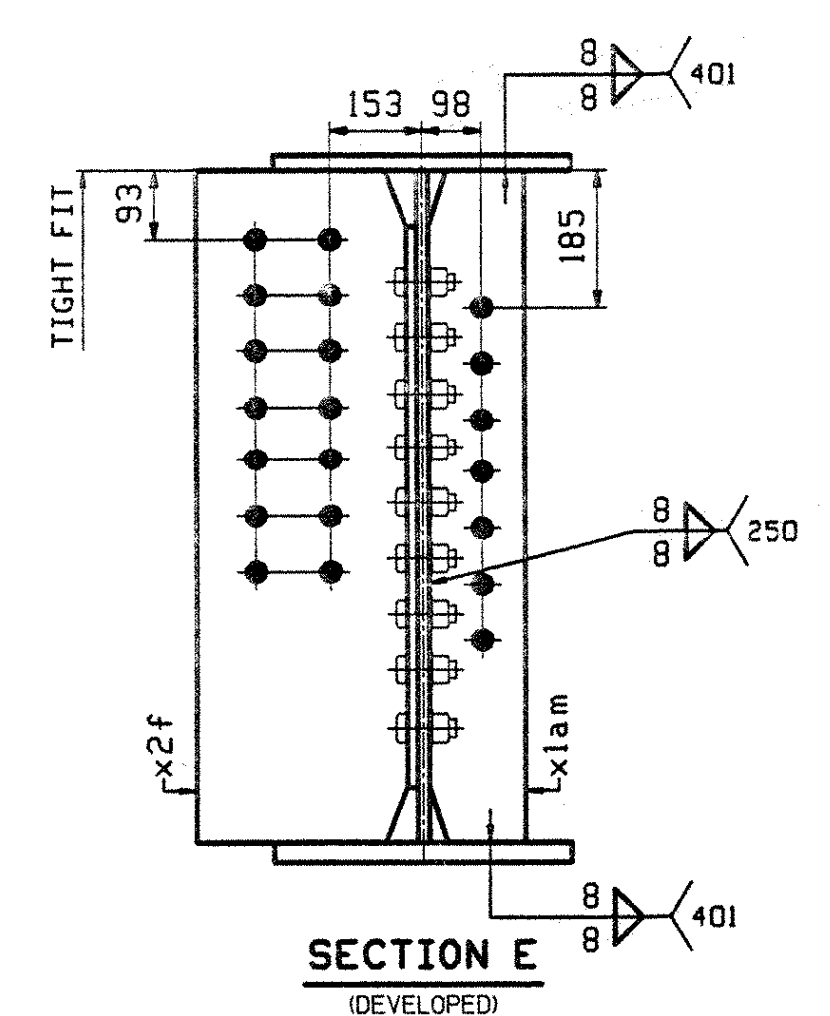
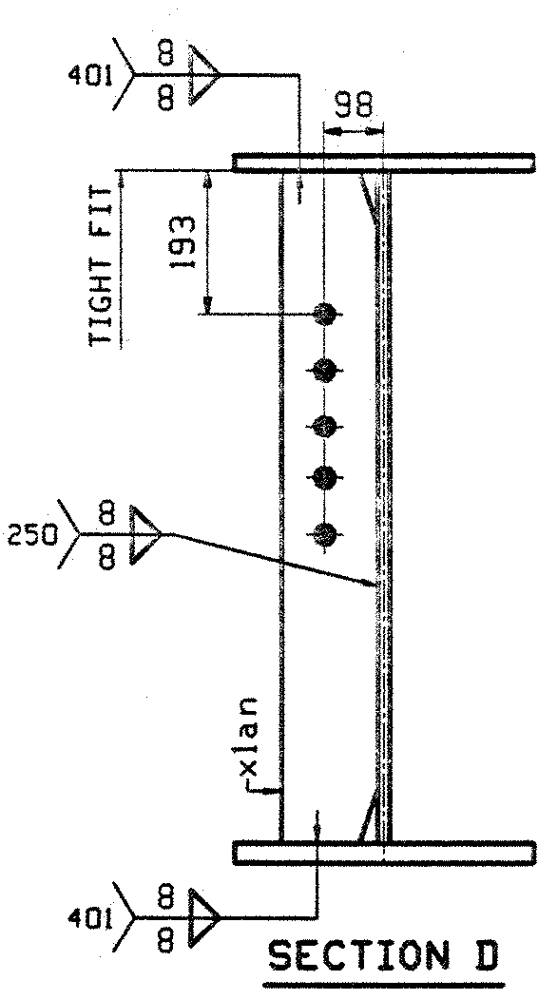
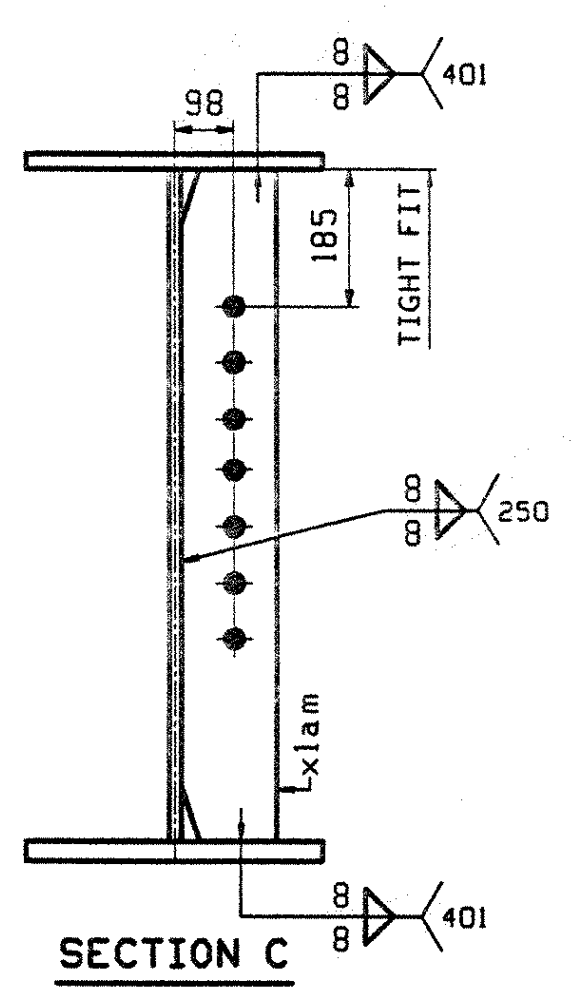
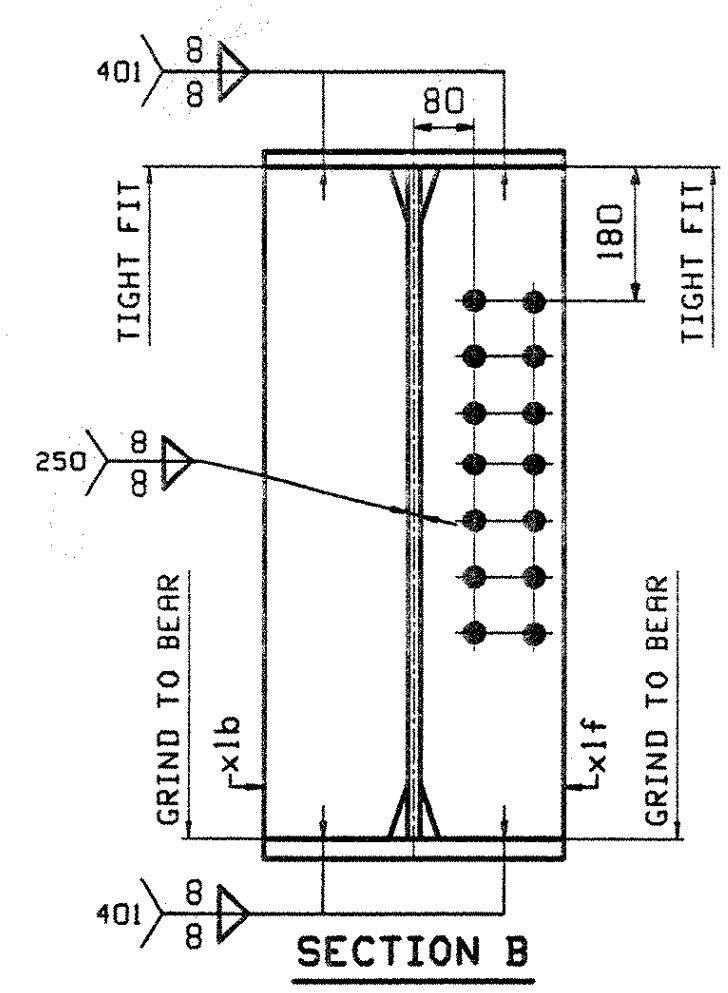
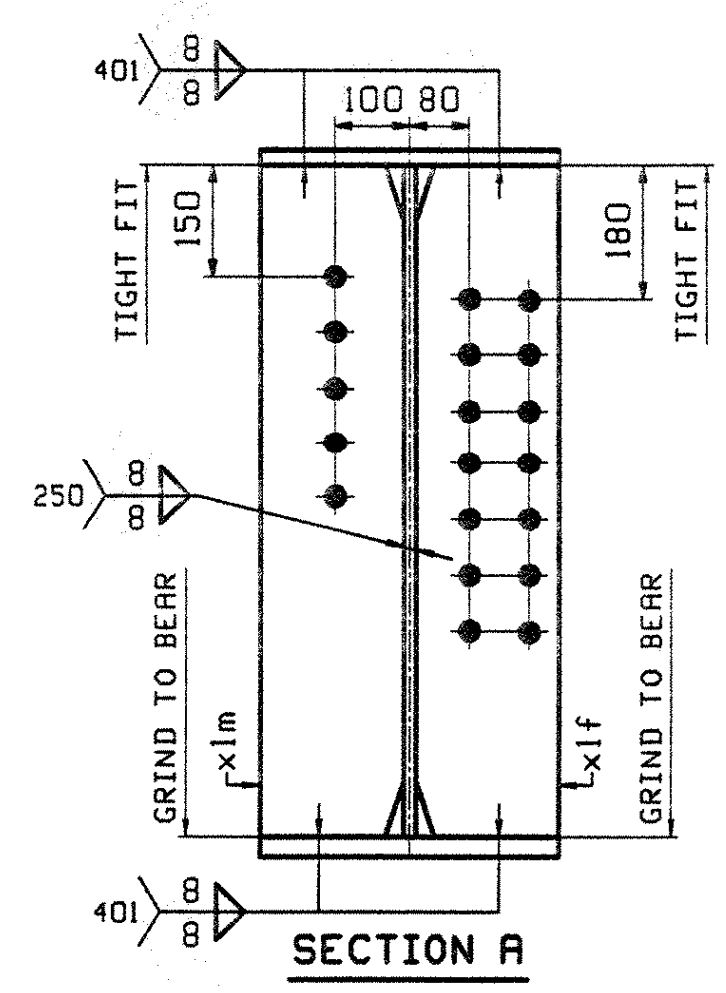
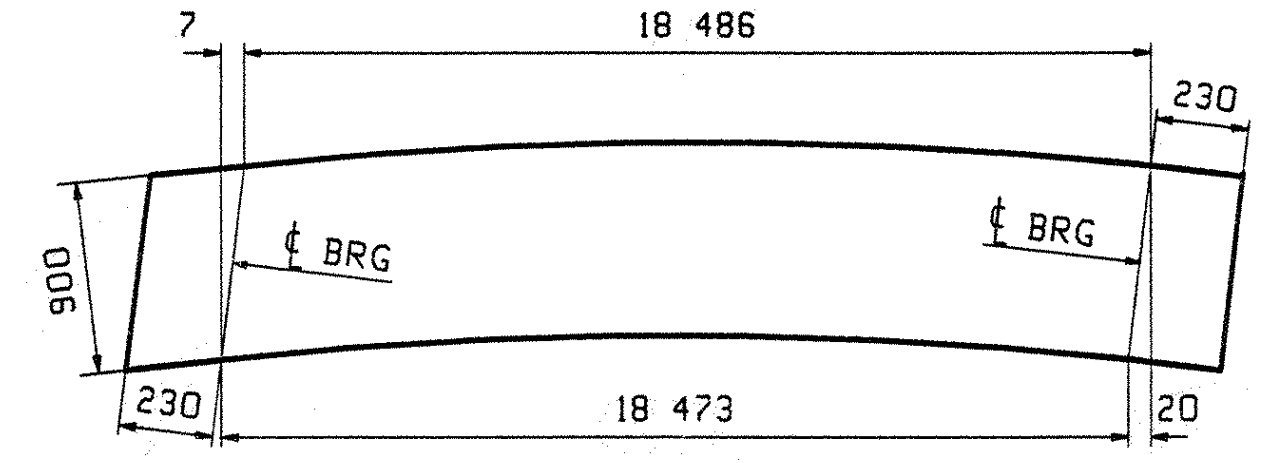
**ONE - GIRDER - 9G9**

FOR GIRDER STANDARD DETAILS SEE DRAWING X1.  
 FOR CAMBER DIAGRAM SEE DRAWING C1.  
 FOR GENERAL NOTES SEE DRAWING GNI.  
 H2-3 DENOTES MATERIAL SUBJECT TO CHARPY V-NOTCH TESTING.

NOTE "A"  
 BOTTOM FLANGE SHALL BE TRULY AT A RIGHT ANGLE TO THE WEB FOR A LENGTH AS NOTED ON EITHER SIDE OF BEARING.



ABM INFO		BILL OF MATERIAL				JOB NO.	DRAWING NO.	REV.	
PAGE	LINE	MARK	QTY	MARK	MATERIAL	LENGTH	REMARKS	WT	PROCUREMENT NOTES
		9G9	1		GIRDER				3124 kg 11258 lb
1	Y		1	wa	PL 16x966	18 953	(H270M-345MT2)		(H2-3)
2	J		1	ta	PL 22x400	18 946			
1	L		1	ba	PL 22x400	18 933	(H270M-345MT2)		(H2-3)
3	B		1	xlm	PL 18x192	01 900			MIF
3	B		2	xlf	PL 18x192	01 900			MIF
3	C		1	xlan	PL 14x100	01 900			
3	H		1	x2f	PL 14x904	01 509			3ENT
3	C		3	xlam	PL 14x130	01 900			
3	B		1	xlb	PL 18x192	01 900			MIF
3	L		1	xlat	PL 6x75	01 273			
5	B		18		7/8\"/>				
5	F		18		7/8\"/>				



OUT FOR APPROVAL	4/14/03								
OUT FOR APPROVAL									
ISSUED TO SHOP									
FIELD & OFFICE									

REV.	REMARKS	DATE	DWN	CHK	APP	Q.A.	NO.	DIA.	LGT	TYPE	WASHER
	MATERIAL:										SHOP BOLTS:
	M270M-345W										24mm (15/16\"/>

SURFACE PREP. & PAINT:  
 -ALL STEEL SHALL BE BLAST CLEANED AND LEFT UNPAINTED.

DESCRIPTION:	GIRDER - 8G8	DRAWN BY	JTB	DATE	03/20
JOB:	US 5 OVER WHESTONE BROOK	CHKD BY	EPE	DATE	04/07
	BRIDGE NO. 7	APPROV BY	M. J. GATTI		
	BRATTLEBORO, VERMONT (WINDHAM COUNTY)	SUPERVISOR	M. J. GATTI		
	CONTRACTOR: RENAUD BROTHERS				
PROJ NO.	BHF 2000(17)	Q.A.			

CUSTOMER:	VERMONT AGENCY OF TRANSPORTATION	JOB NO.	099
CASCO BAY STEEL STRUCTURES, INC.	75 SPRING HILL ROAD	DRG. NO.	194
	SACO, MAINE 04072	REV.	9
	PHONE (207) 282-7360		
	FAX (207) 282-1179		

V.A.O.T.  
 RECEIVED  
 APR 15 2003  
 S.S.S. OK'D BY J.M.P.  
 4/15/03  
 RESUBMIT APPROVED X  
 BY DATE