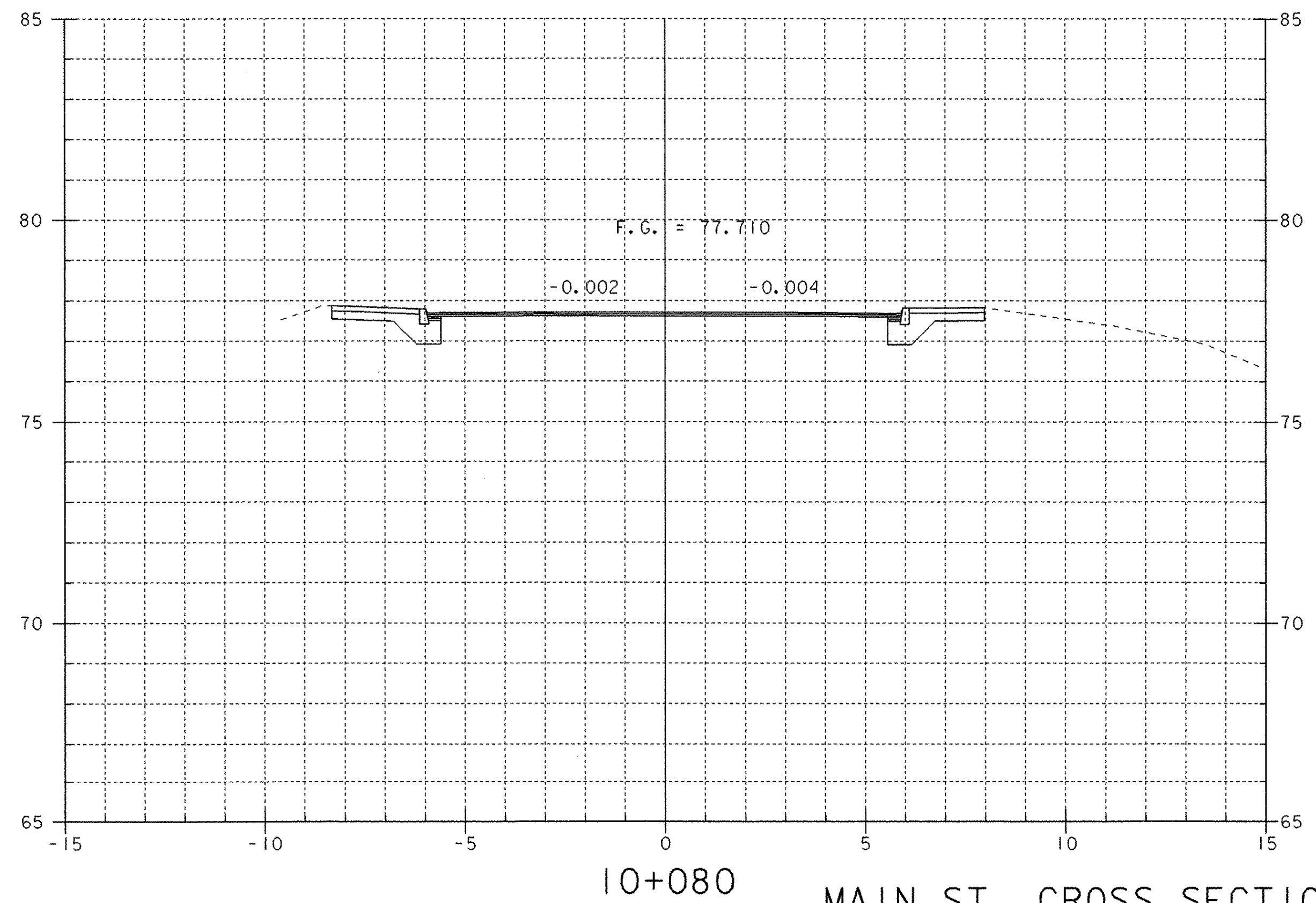
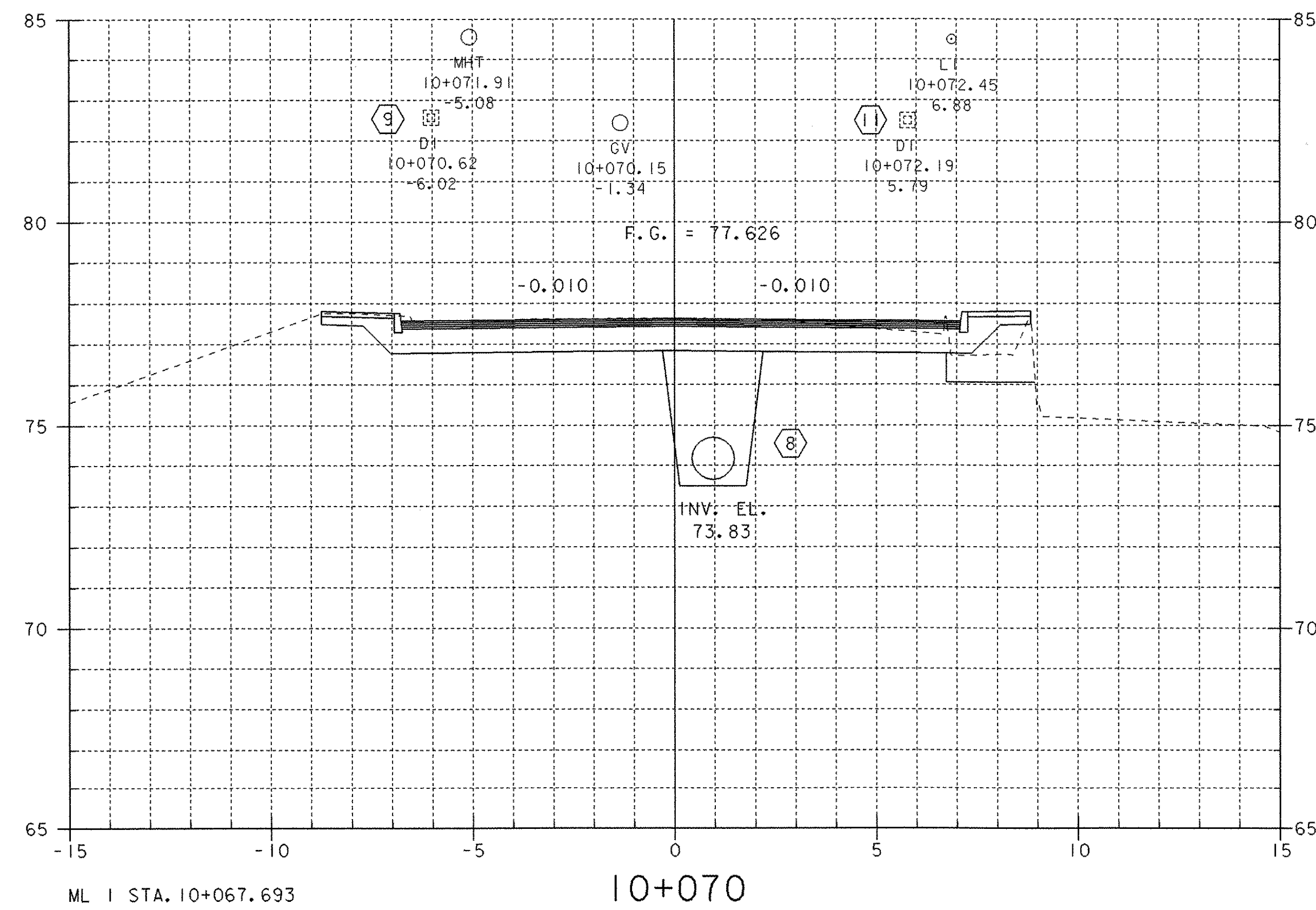
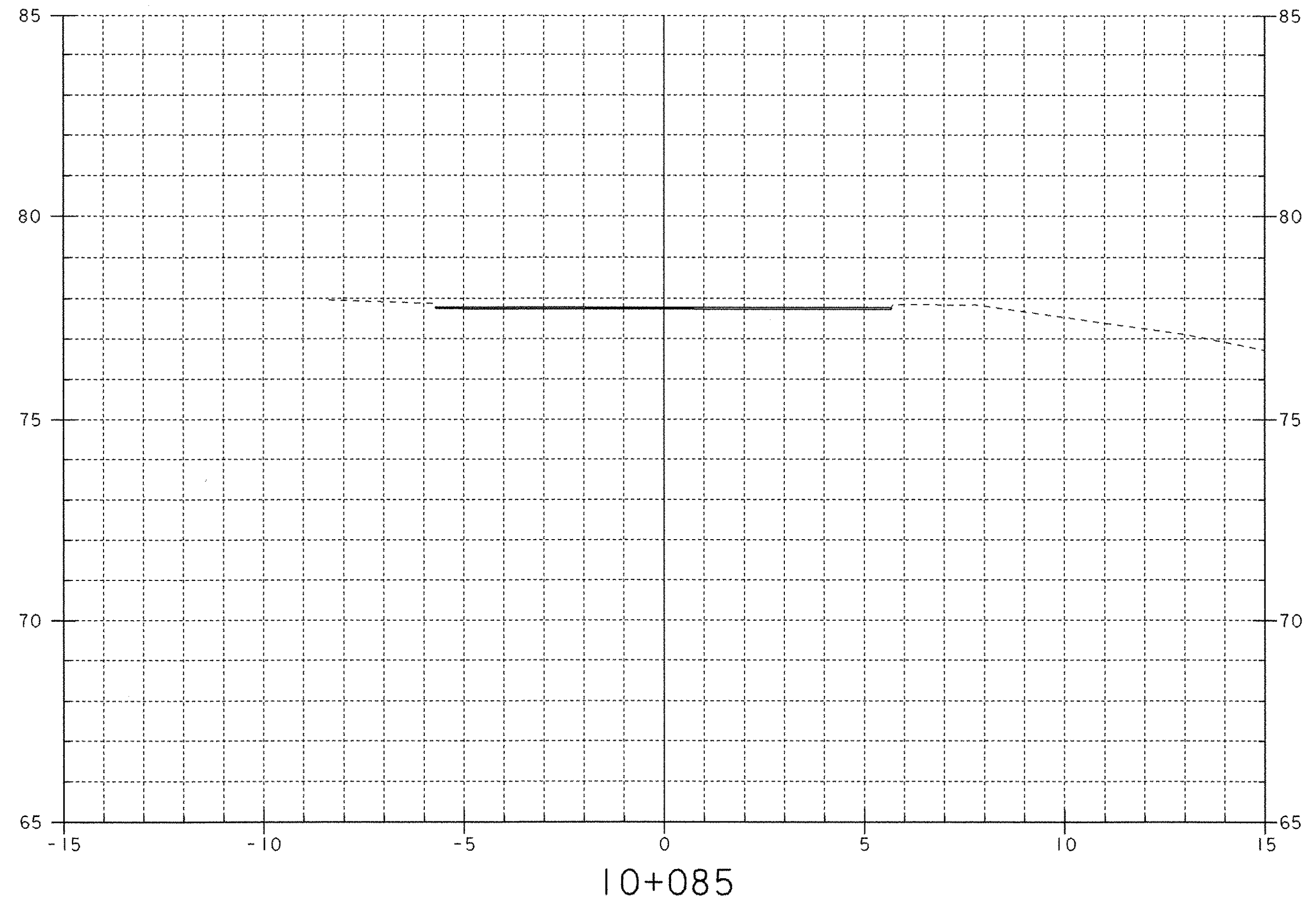
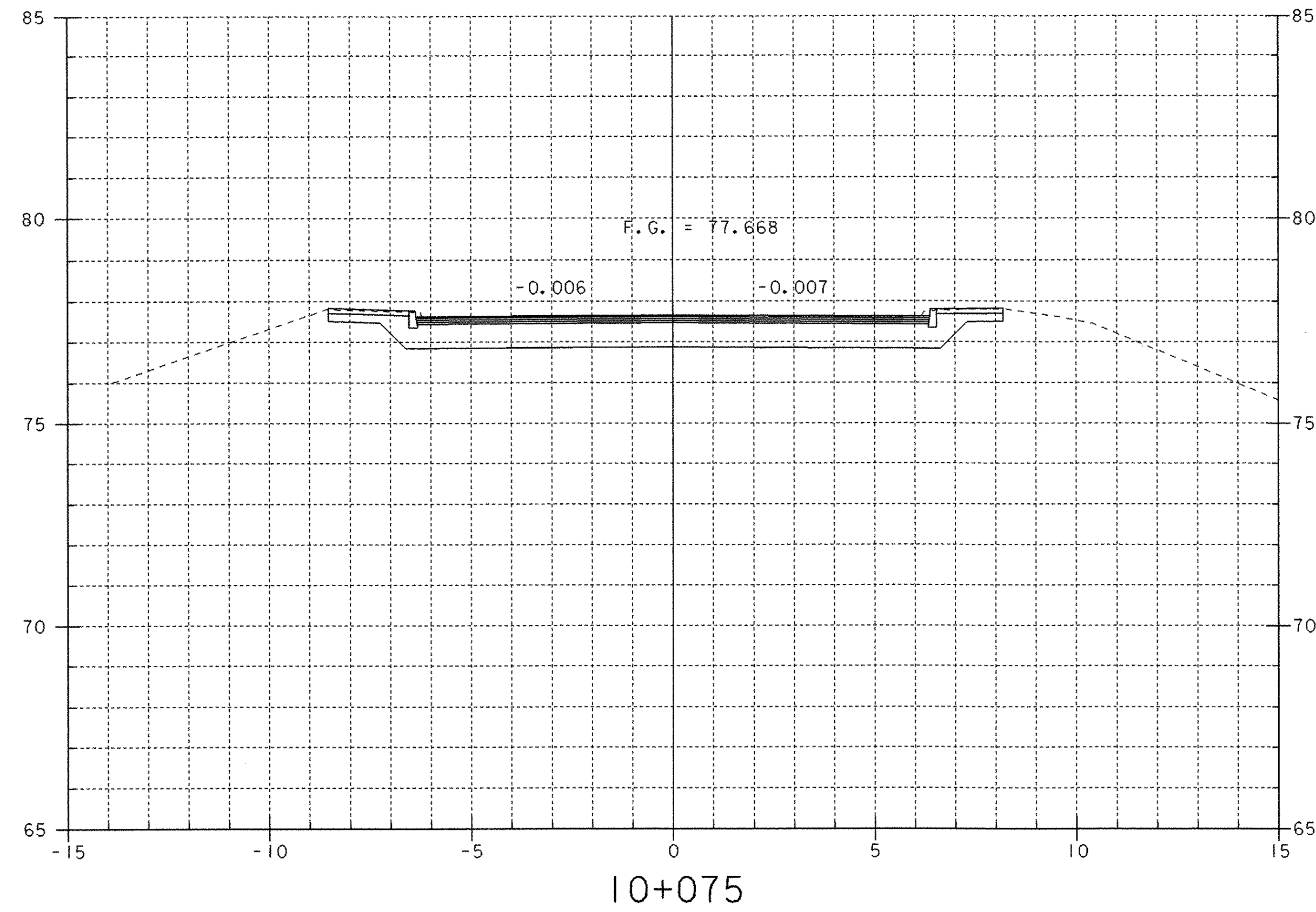
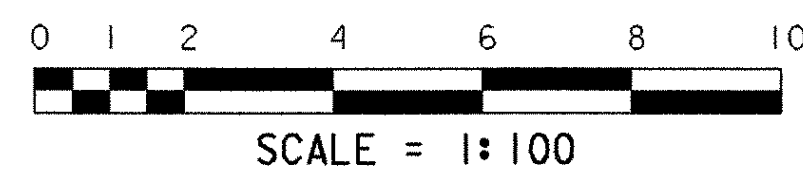


ML 1 STA. 10+104.000  
END APPROACH  
MATCH EXISTING



ML 1 STA. 10+067.693  
END BRIDGE/PROJECT  
BEGIN APPROACH

MAIN ST. CROSS SECTIONS (4)



PROJECT NAME:	BRATTLEBORO	PLOT DATE:	06-FEB-2003
PROJECT NUMBER:	BHF 2000 (17)	DRAWN BY:	G. ROY
FILE NAME:	94J078\Structures\sj078m04.1	CHECKED BY:	T. SUMNER
PROJECT MANAGER:	R. R. WHITCOMB	DESIGNED BY:	G. ROY
			SHEET 64 OF 71