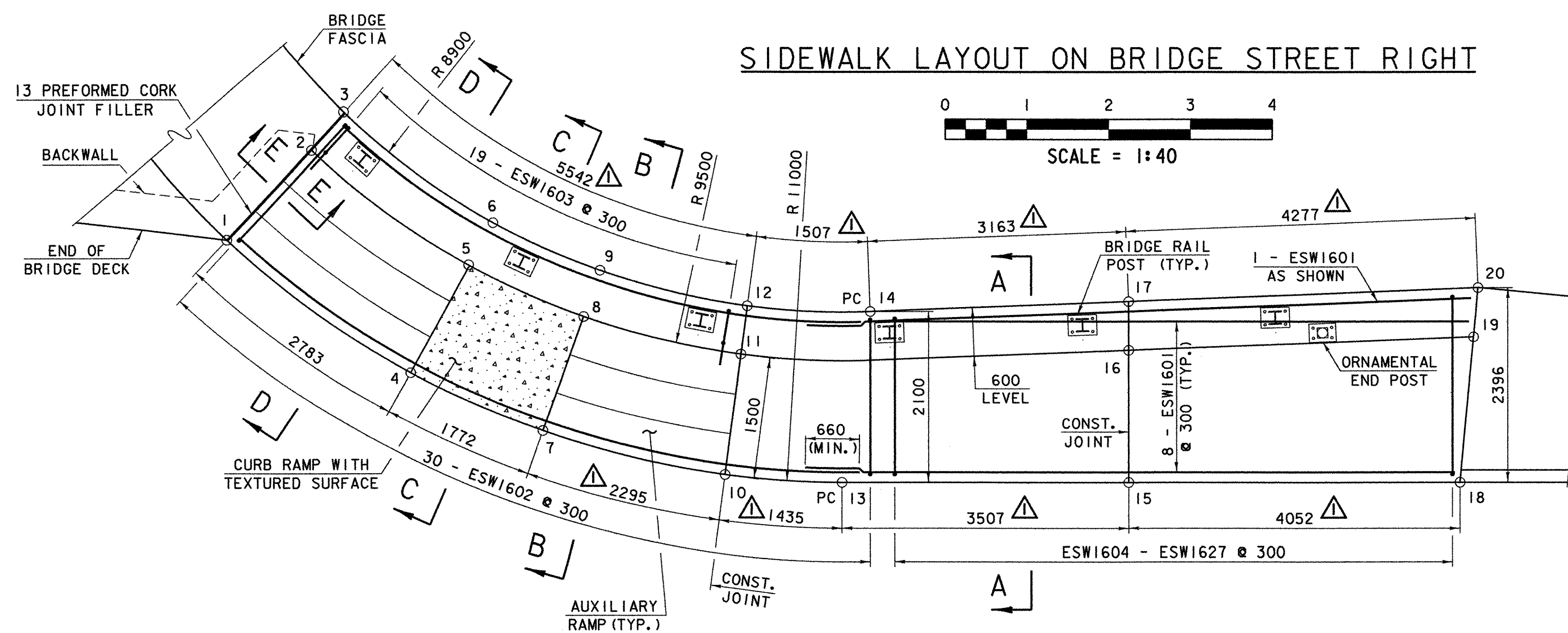


### SIDEWALK LAYOUT ON BRIDGE STREET RIGHT

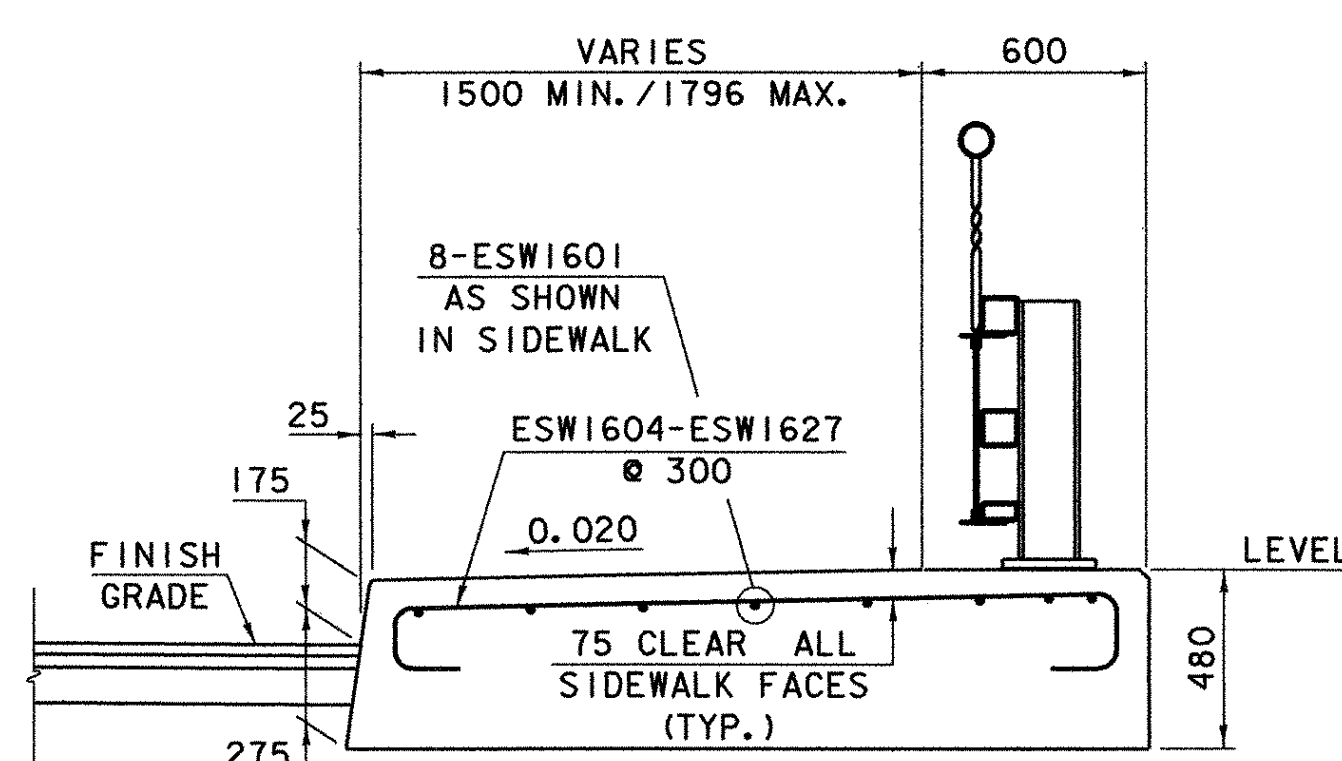


### △ SIDEWALK OFFSETS & ELEVATIONS

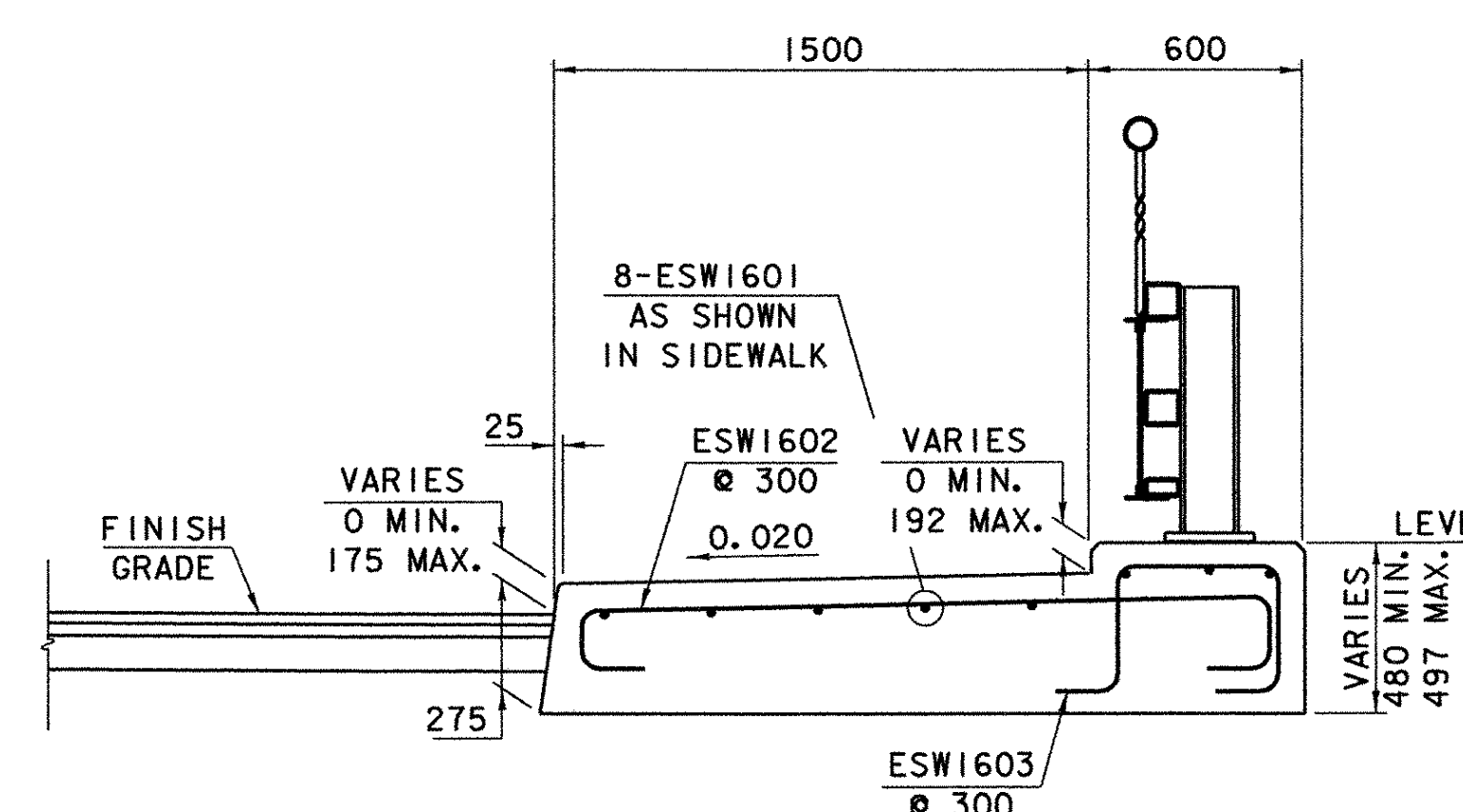
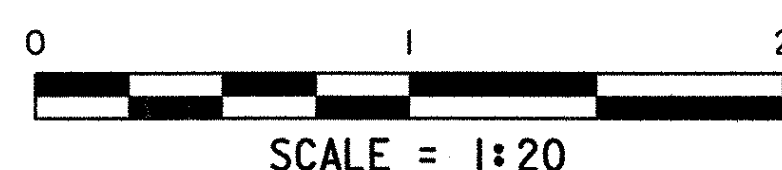
POINT NO.	STATION	OFFSET RIGHT	* TOP OF SIDEWALK ELEV.	BOTTOM OF SIDEWALK ELEV.
1	20+040.238	6319	77.196	76.696
2	20+039.523	7766	77.226	---
3	20+039.160	8338	77.226	76.696
4	20+035.943	5618	76.719	76.444
5	20+035.241	7058	76.749/76.953	---
6	20+034.891	7628	76.953	76.444
7	20+033.356	5155	76.540	76.265
8	20+032.684	6594	76.570/76.761	---
9	20+032.391	7164	76.761	76.265
10	20+030.822	4676	76.536	76.086
11	20+030.651	6167	76.566	---
12	20+030.582	6763	76.566	76.086
13	20+029.389	4606	76.436	75.986
14	20+029.077	6718	76.466	75.986
15	20+025.882	4664	76.190	75.740
16	20+025.909	6293	76.222	---
17	20+025.919	6893	76.222	75.740
18	20+021.831	4730	75.908	75.458
19	20+021.694	6526	75.934	---
20	20+021.648	7129	75.931	75.445

**NOTES:**

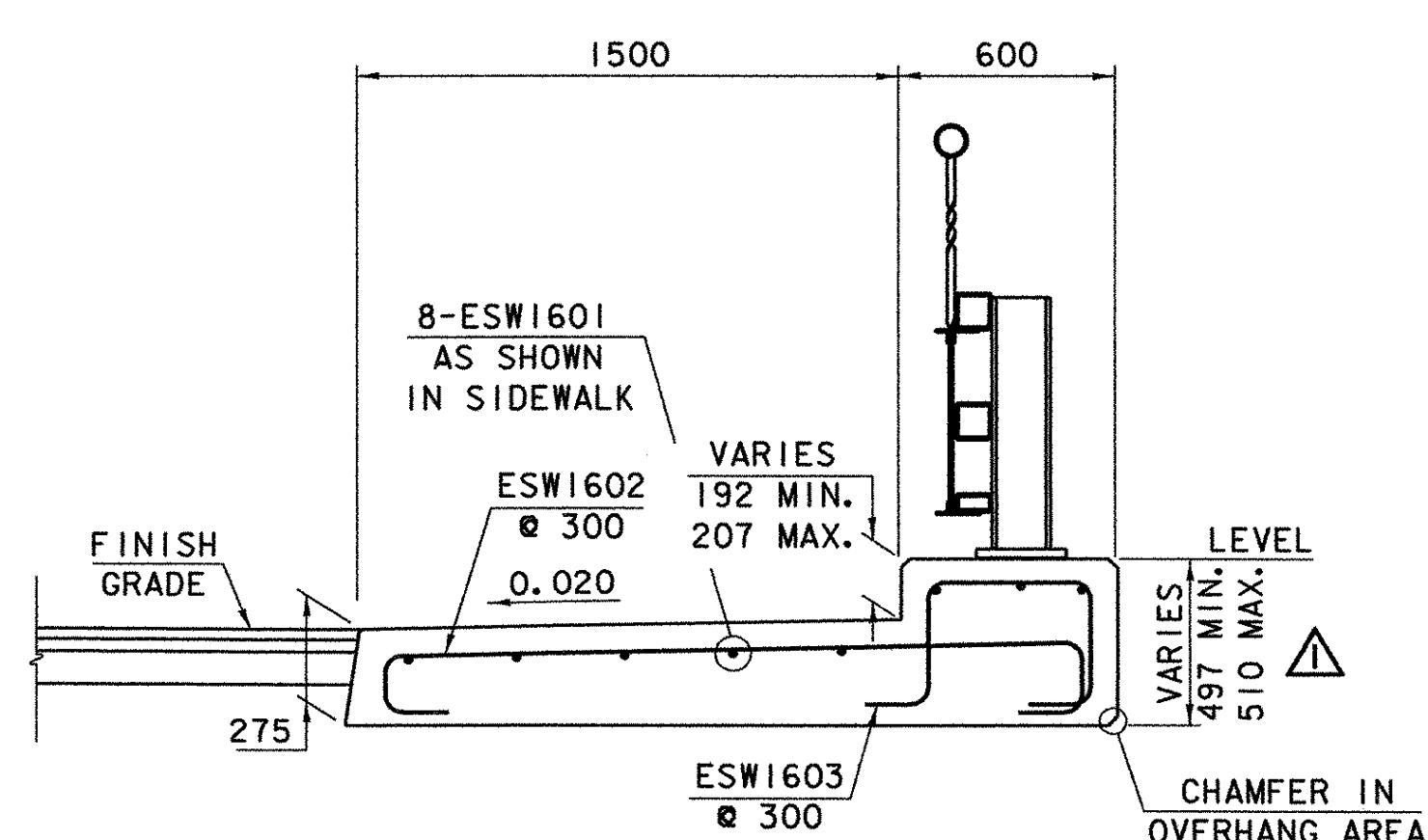
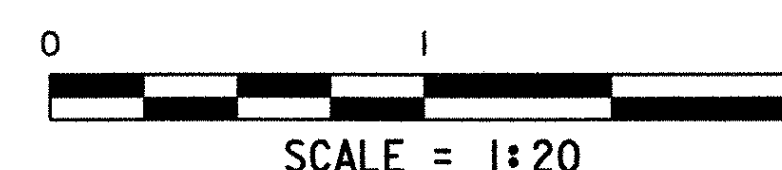
- \* 1. FIRST ELEVATION DENOTES TOP OF LANDING. SECOND ELEVATION DENOTES TOP OF SIDEWALK FOR MOUNTING BRIDGE RAIL POST.
2. SEE STD. C-3M FOR ALL OTHER DETAILS AND NOTES.



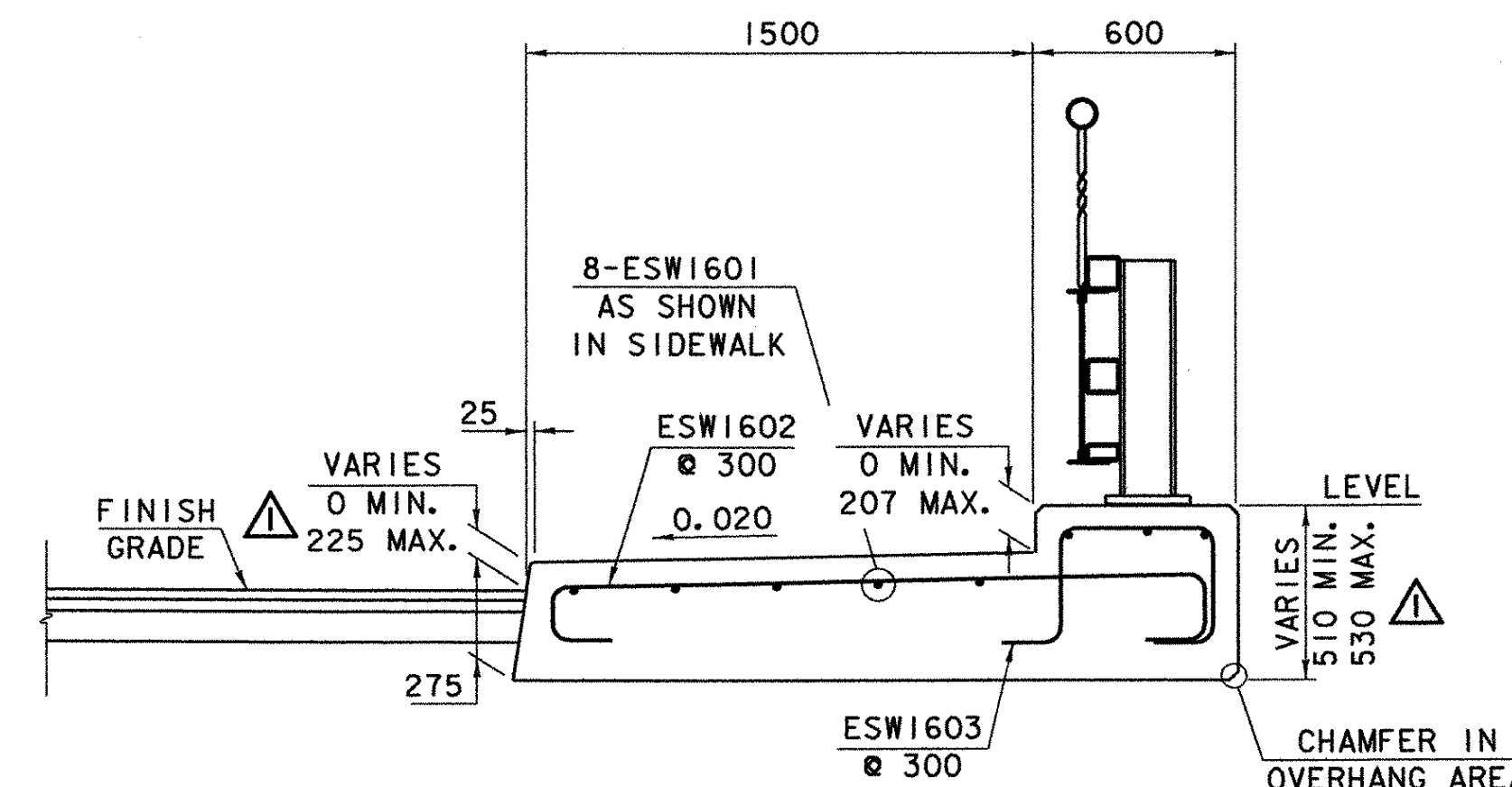
SECTION A-A



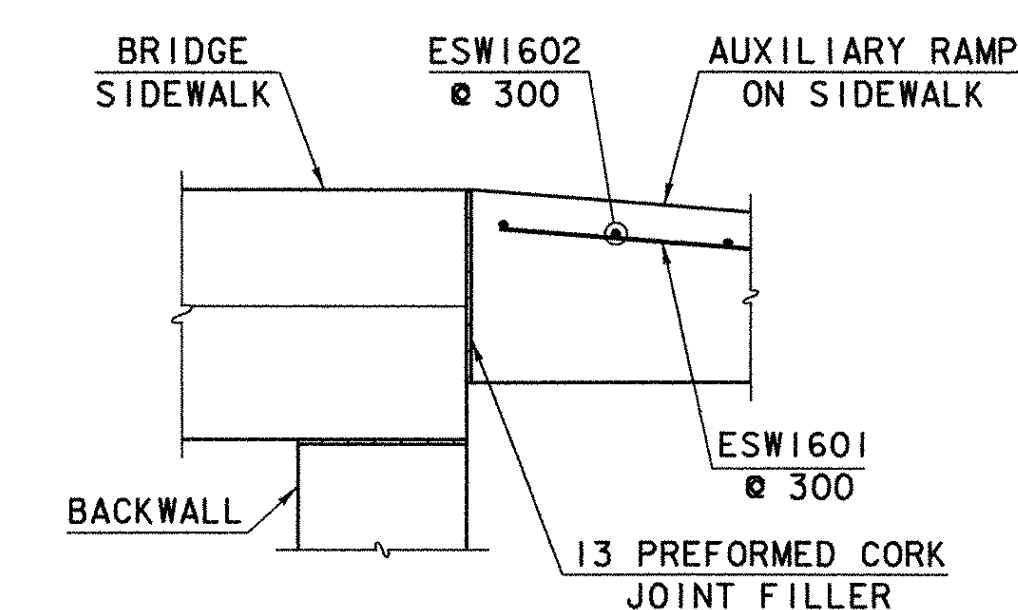
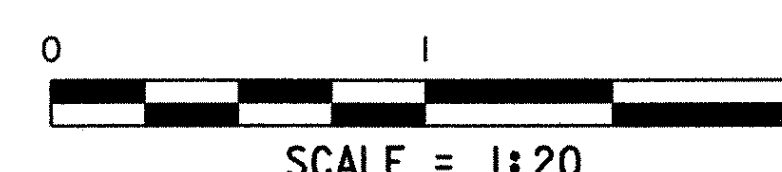
SECTION B-B



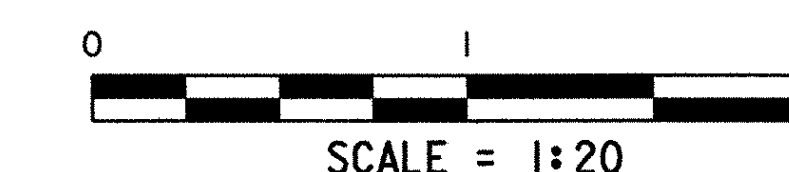
SECTION C-C



SECTION D-D



SECTION E-E



△ REVISED SIDEWALK LAYOUT OFFSETS AND ELEVATIONS.  
BY: GFR DATE: 08/18/2003

### DETAILS FOR PORTLAND CEMENT CONCRETE SIDEWALK, 200mm (MOD.)

PROJECT NAME:	BRATTLEBORO
PROJECT NUMBER:	BHF 2000 (I7)
FILE NAME:	94\078\Structures\j078swd.l
PROJECT MANAGER:	R. R. WHITCOMB
DESIGNED BY:	T. SUMNER
PLOT DATE:	24-MAY-2004
DRAWN BY:	G. ROY
CHECKED BY:	T. SUMNER
SHEET	56 OF 71