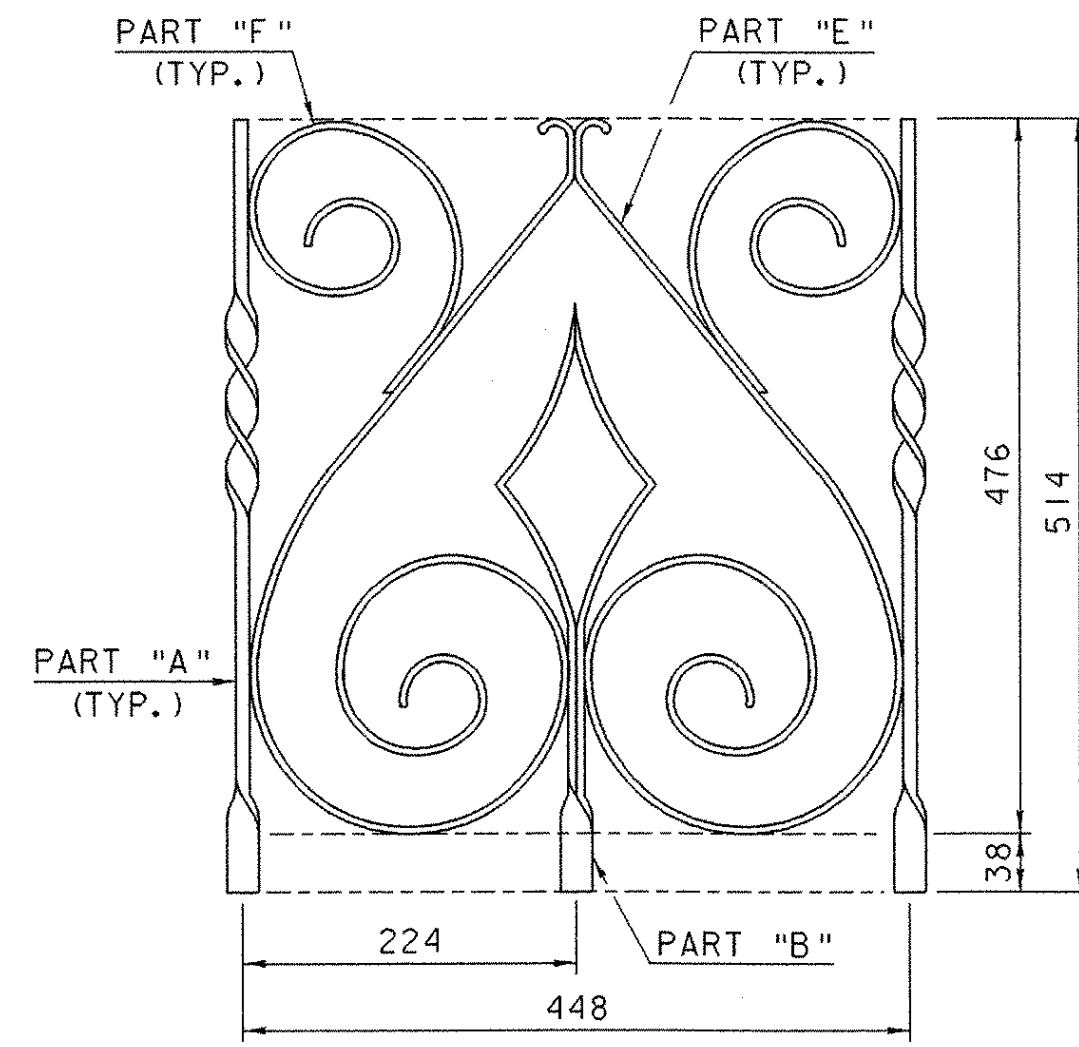
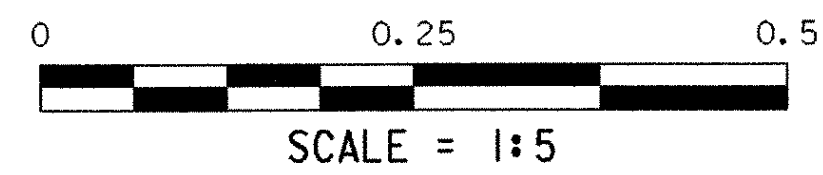
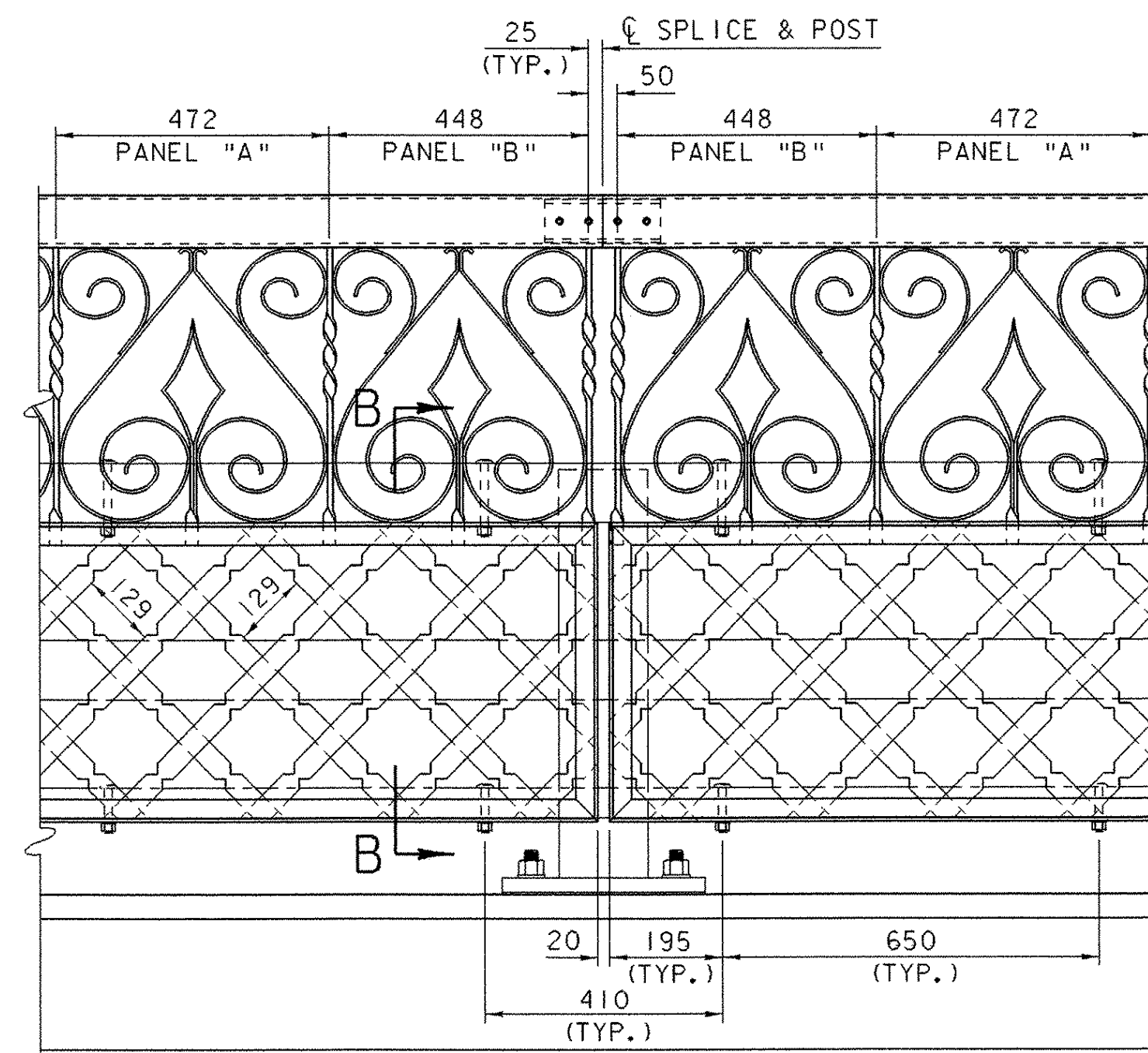
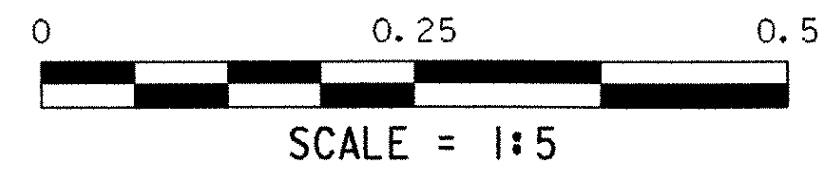


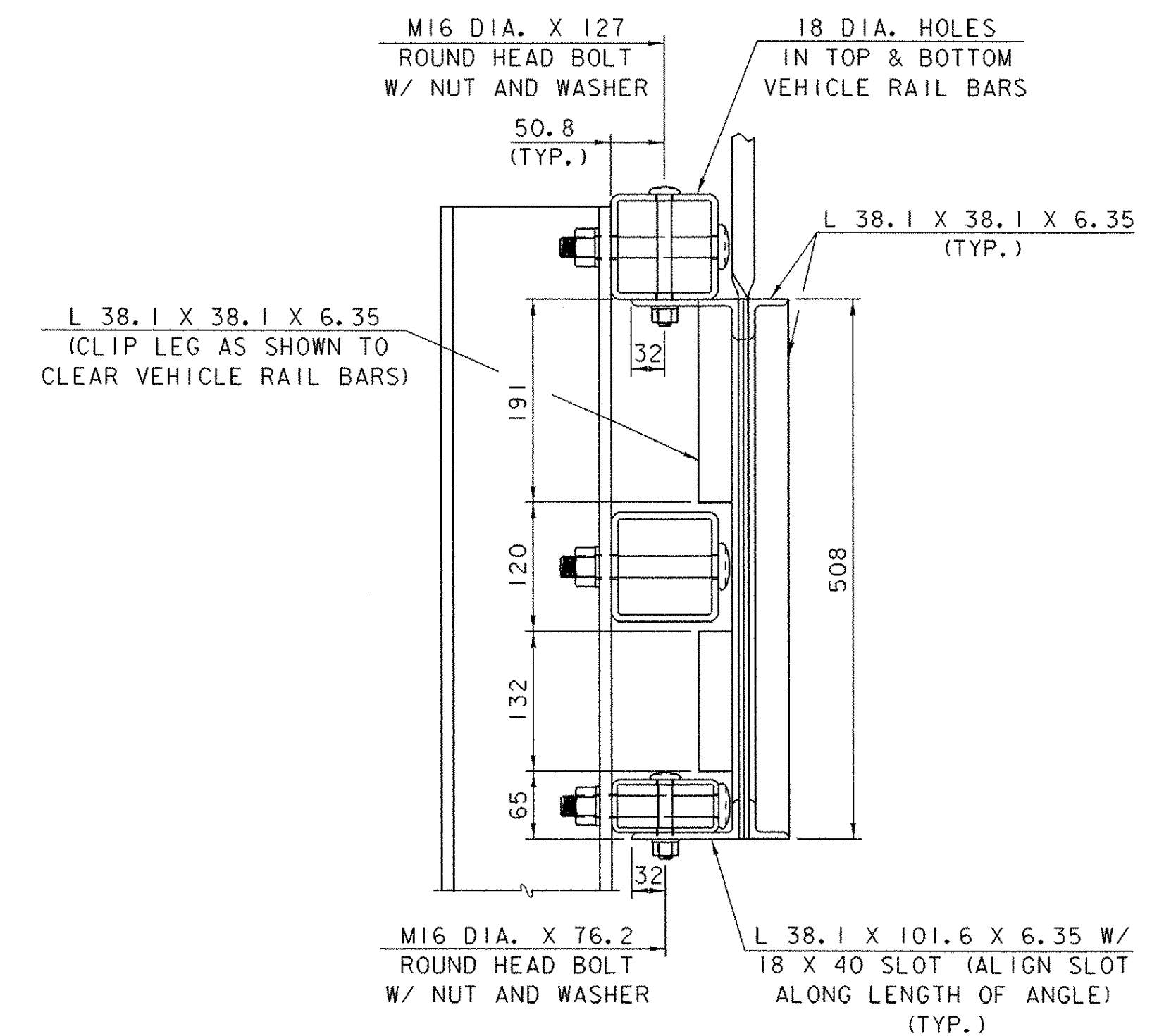
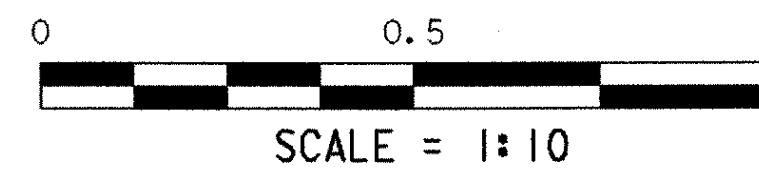
PANEL "A"



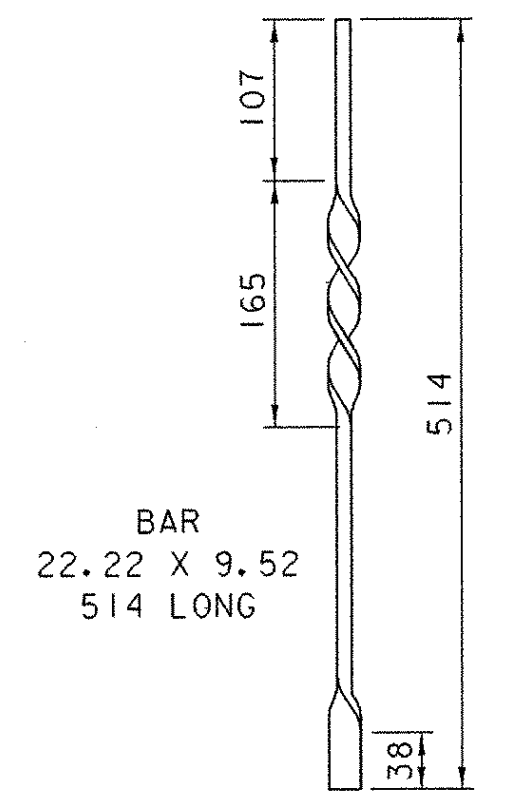
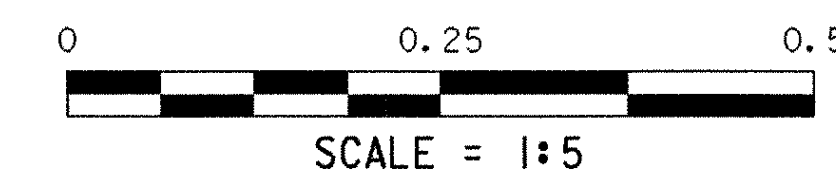
PANEL "B"



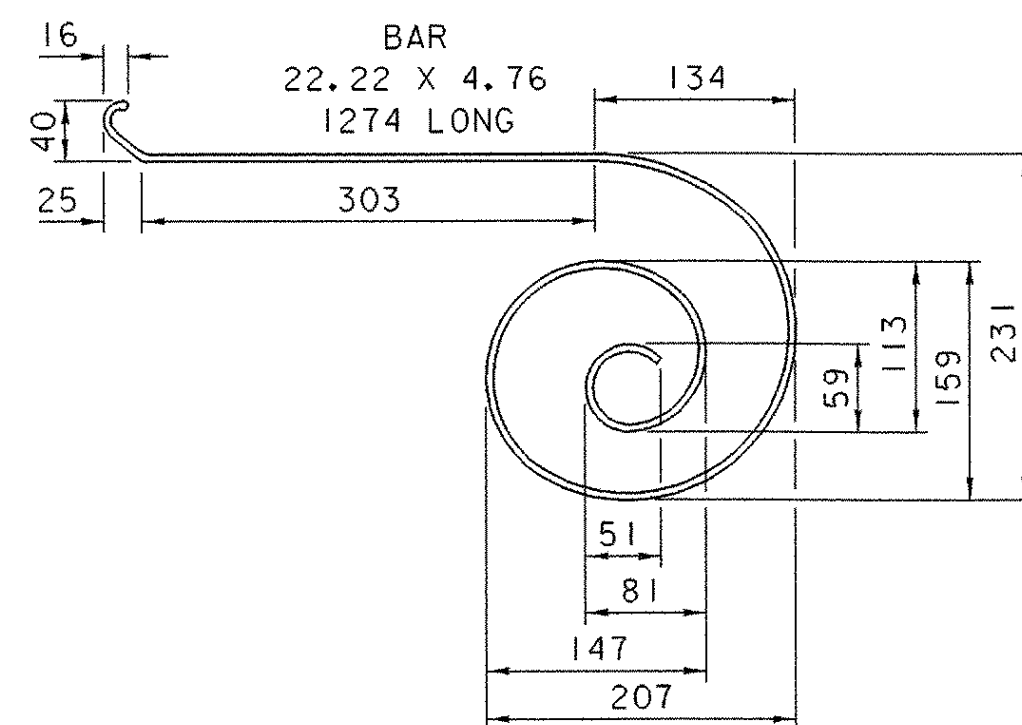
ORNAMENTAL RAIL SPLICE ELEVATION



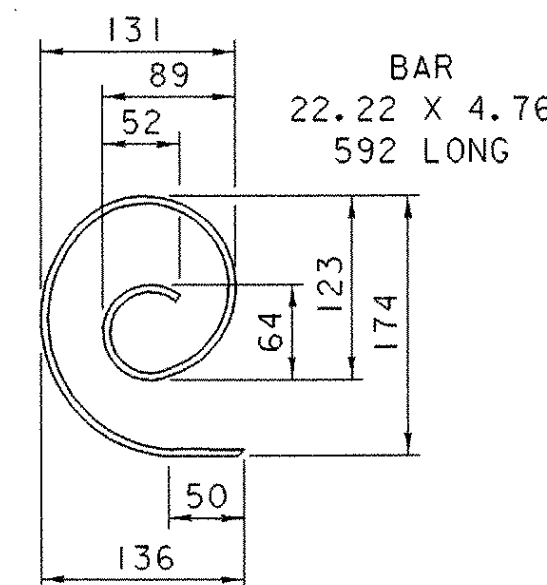
VIEW B-B



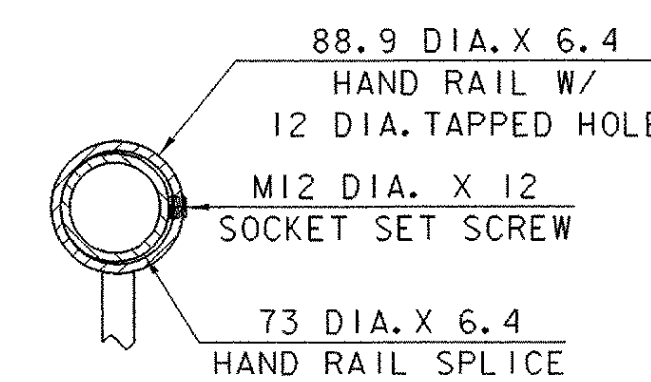
PART "A"



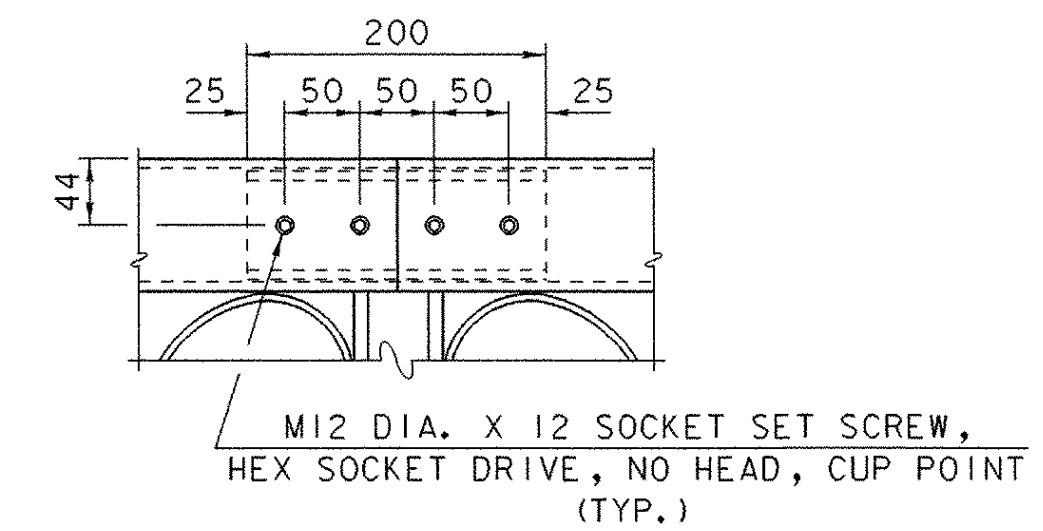
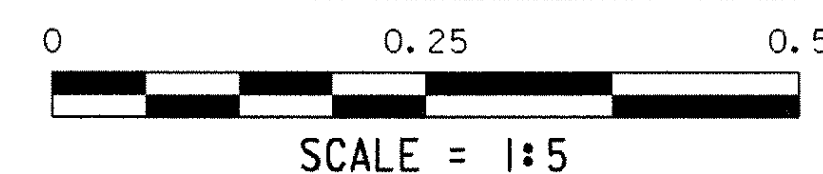
PART "C"



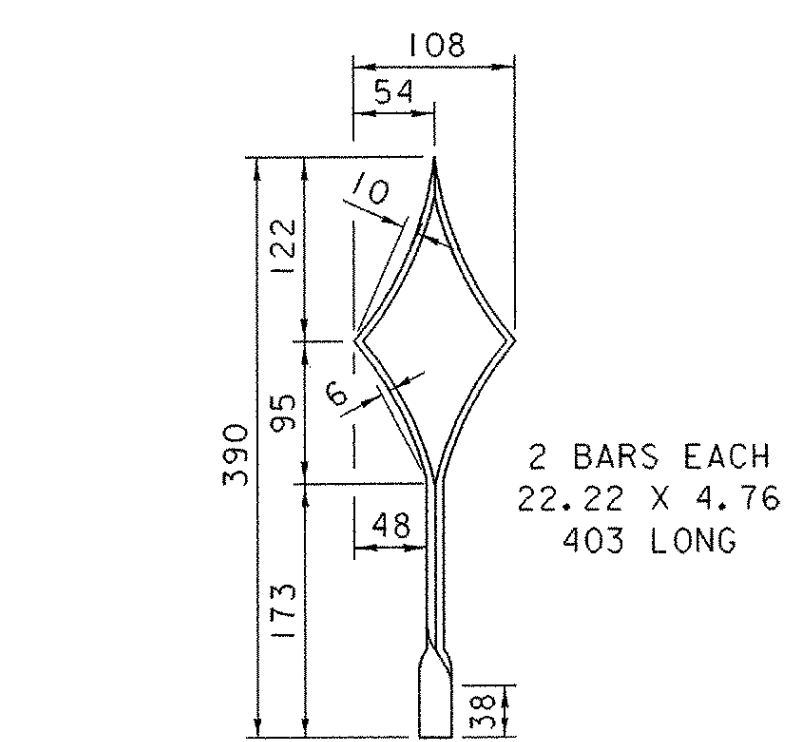
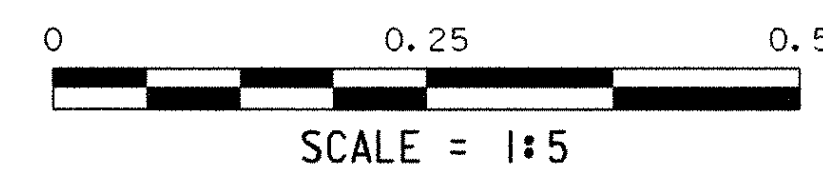
PART "D"



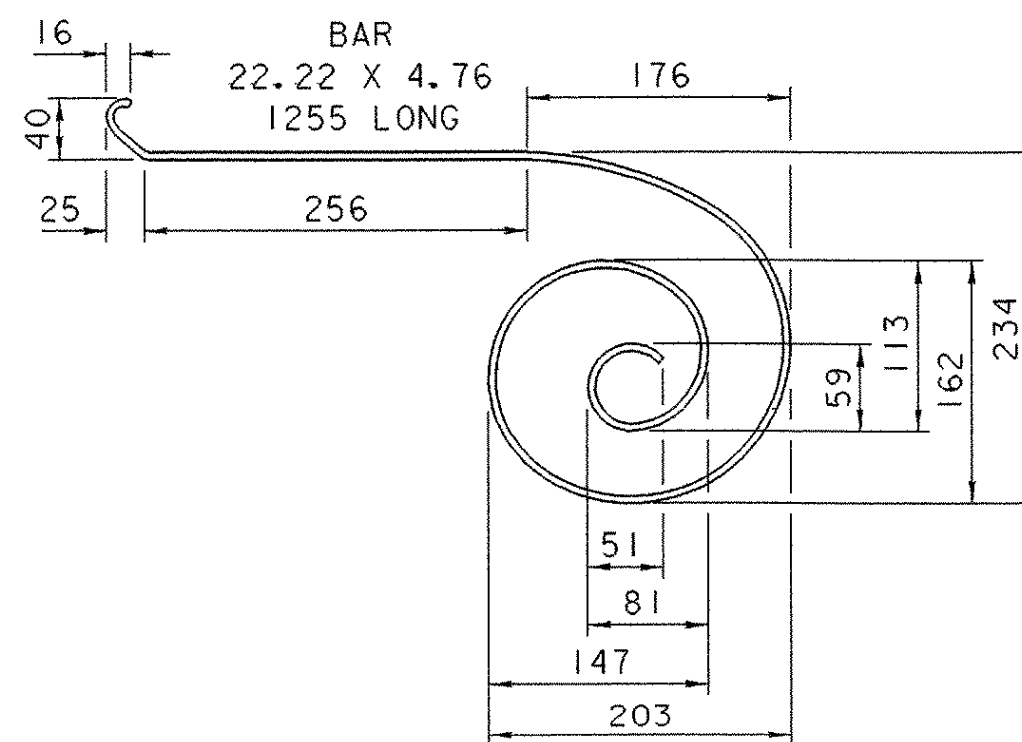
HAND RAIL SPLICE DETAILS



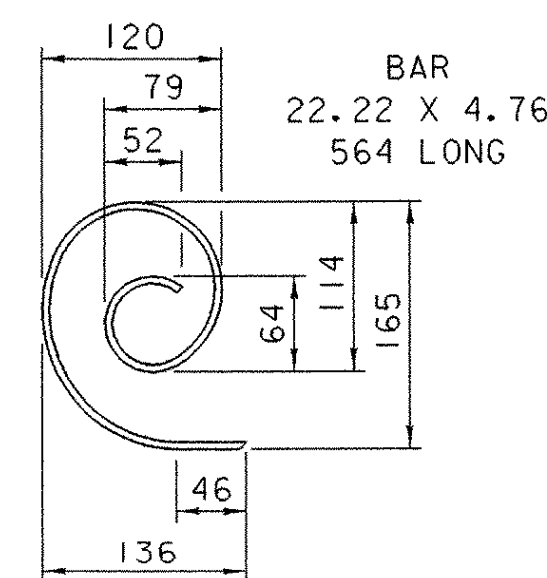
LATTICE DETAIL



PART "B"

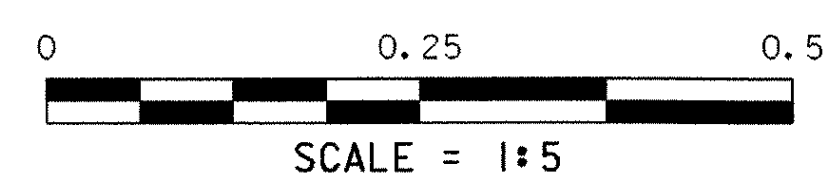


PART "E"



PART "F"

PANEL PARTS



NOTE:
CONNECTIONS REQUIRED TO ASSEMBLE THE ORNAMENTAL RAIL COMPONENTS SHALL BE DETERMINED BY THE FABRICATOR AND SUBMITTED TO THE STRUCTURES ENGINEER FOR APPROVAL. ALL INTERSECTING PIECES SHALL BE CONNECTED.

ORNAMENTAL RAIL DETAILS (3)

PROJECT NAME:	BRATTLEBORO	PLOT DATE:	06-FEB-2003
PROJECT NUMBER:	BRO 2000 (17)	DRAWN BY:	G. ROY
FILE NAME:	94j078\structures\sj078ord3.i	DESIGNED BY:	G. ROY
PROJECT MANAGER:	R. R. WHITCOMB	CHECKED BY:	T. SUMNER
		SHEET 51 OF 71	