

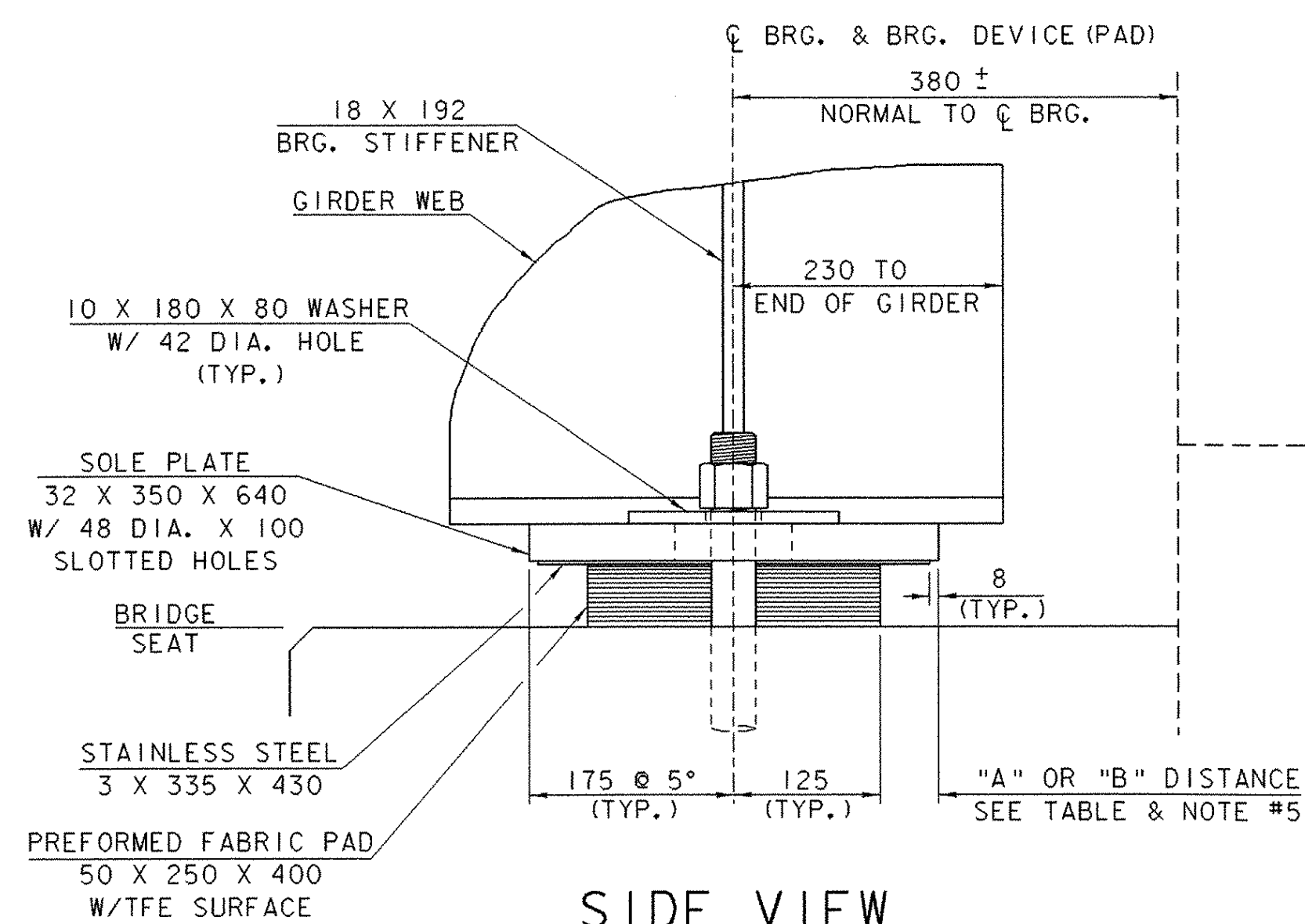
PLAN VIEW

ABUTMENT NO. 2 TEMPERATURE SETTING TABLE

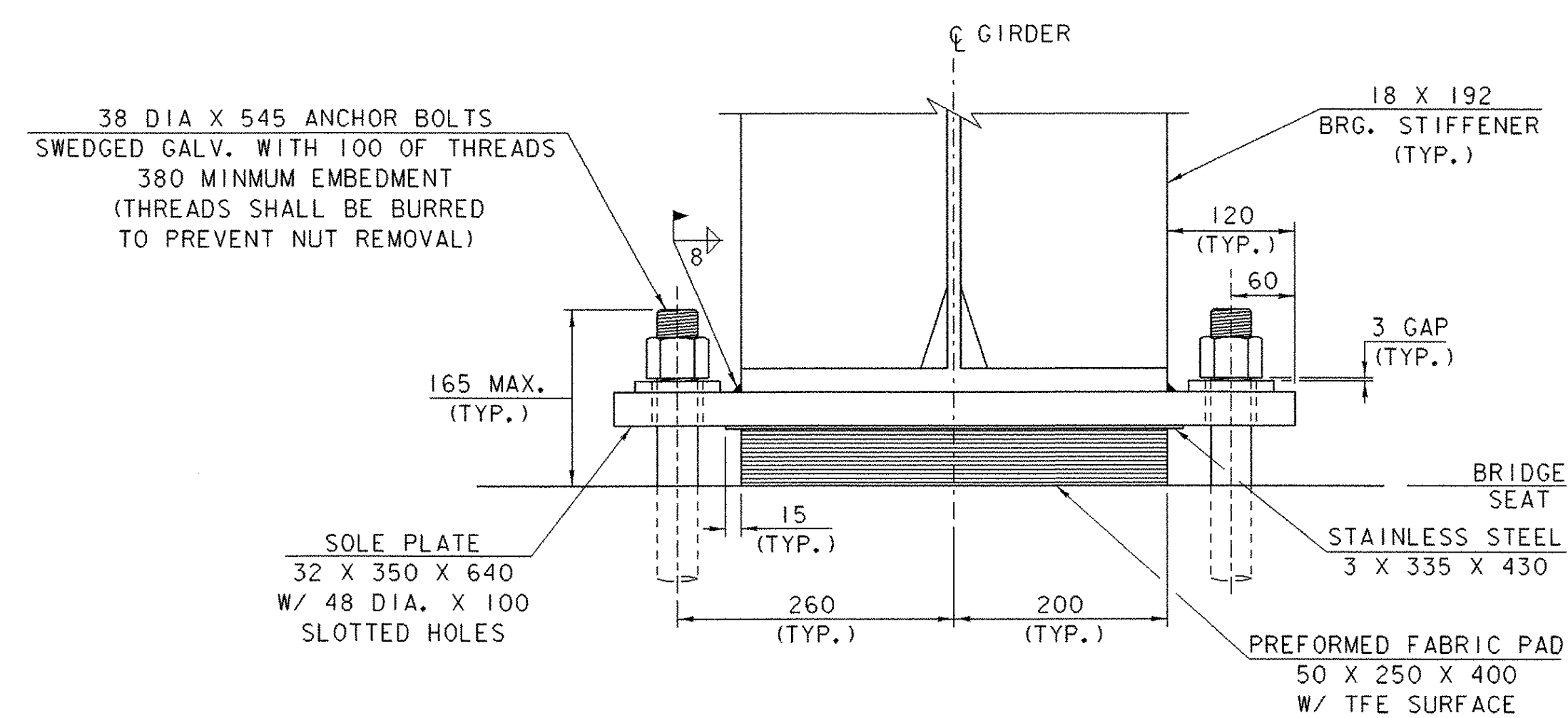
TEMP	"B" DIST.	"A" DIST.
-25°C	41	33
-15°C	44	36
-5°C	47	39
5°C	50	42
15°C	53	45
25°C	56	48
35°C	59	51
45°C	63	55

ABUTMENT NO. 2 BEARING ANGLE TABLE

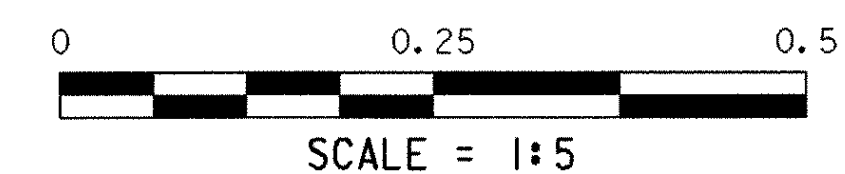
GIRDER NO.	ANGLE
NO. 1	106° 29' 45"
NO. 2	103° 19' 24"
NO. 3	100° 04' 18"
NO. 4	96° 45' 11"
NO. 5	93° 23' 18"
NO. 6	90° 00' 00"
NO. 7	90° 00' 00"
NO. 8	90° 00' 00"
NO. 9	90° 00' 00"



SIDE VIEW



FRONT VIEW



EXPANSION BEARING DETAILS
ABUTMENT NO. 2

PROJECT NAME:	BRATTLEBORO
PROJECT NUMBER:	BHF 2000 (17)
FILE NAME:	94J078\Structures\sj078ebd.i
PROJECT MANAGER:	R. R. WHITCOMB
DESIGNED BY:	T. SUMNER
PLOT DATE:	06-FEB-2003
DRAWN BY:	B. MAURICE
CHECKED BY:	T. SUMNER
SHEET	45 OF 71