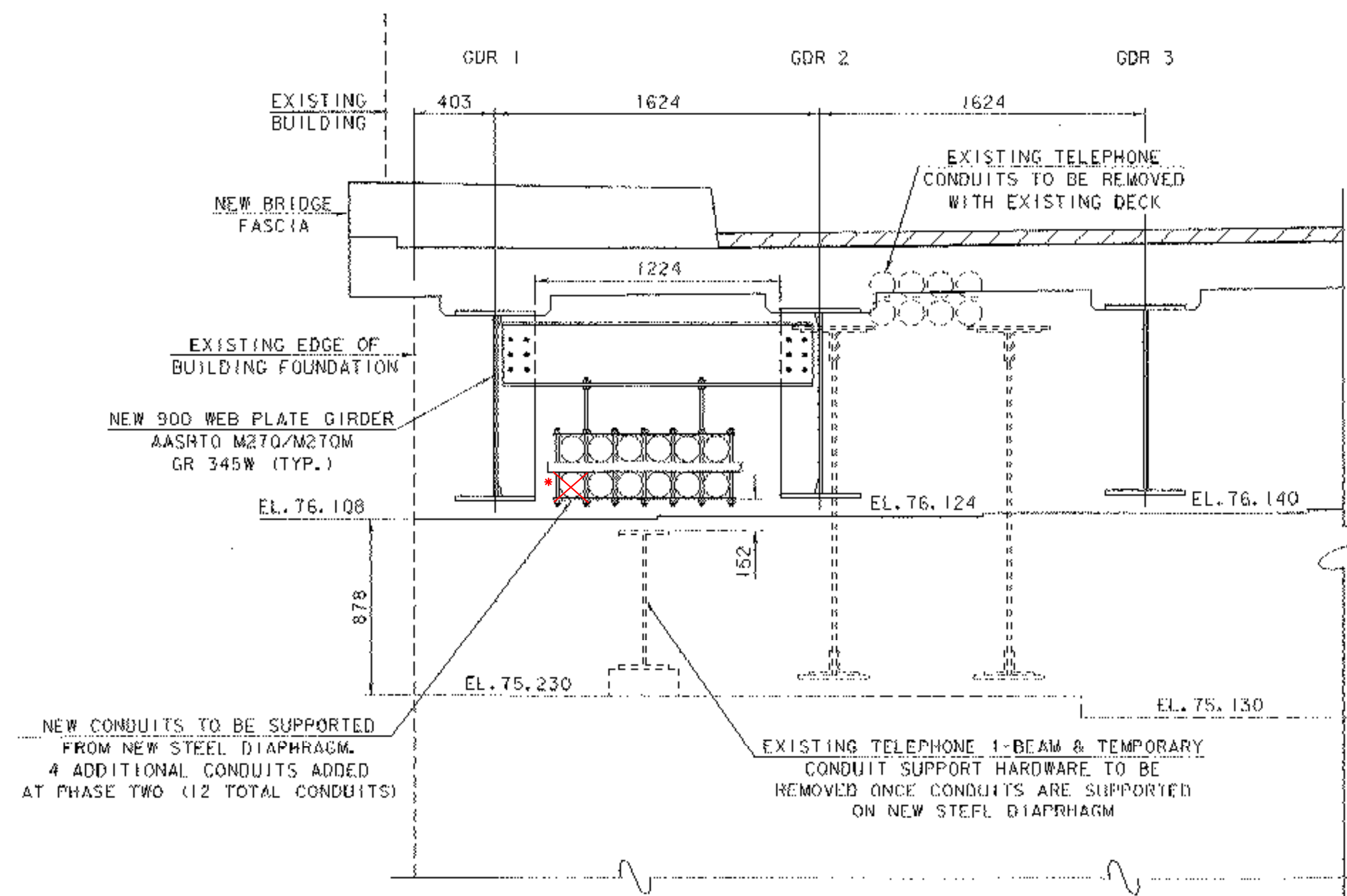
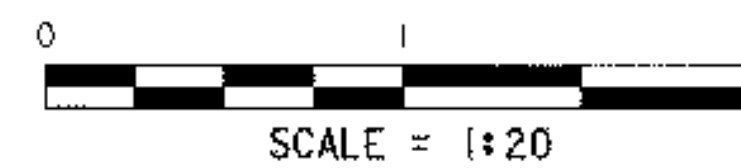
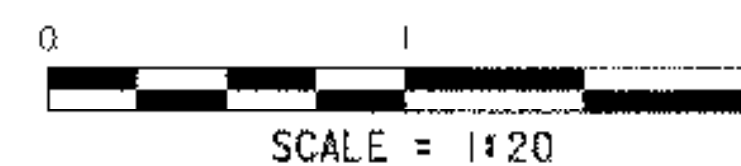


EXISTING UTILITIES @ ABUTMENT NO. 1, LEFT SIDE



EXISTING UTILITIES @ ABUTMENT NO. 2, LEFT SIDE



* SEE DAILY REPORT #46, DATED 6/18/03
 UNABLE TO CONNECT THIS CONDUIT -
 WOULD HAVE HAD TO CUT BEARING PLATE
 OK'D BY NEIL SNYDER OF VERIZON

TELEPHONE UTILITY DETAILS

PROJECT NAME:	BRATTLEBORO
PROJECT NUMBER:	BHF 2000 (17)
FILE NAME:	94\078\Structures\1078tud1
PROJECT MANAGER:	R. R. WHITCOMB
DESIGNED BY:	T. SUMNER
PLOT DATE:	06-FEB-2003
DRAWN BY:	G. ROY
CHECKED BY:	T. SUMNER
SHEET	42 OF 71