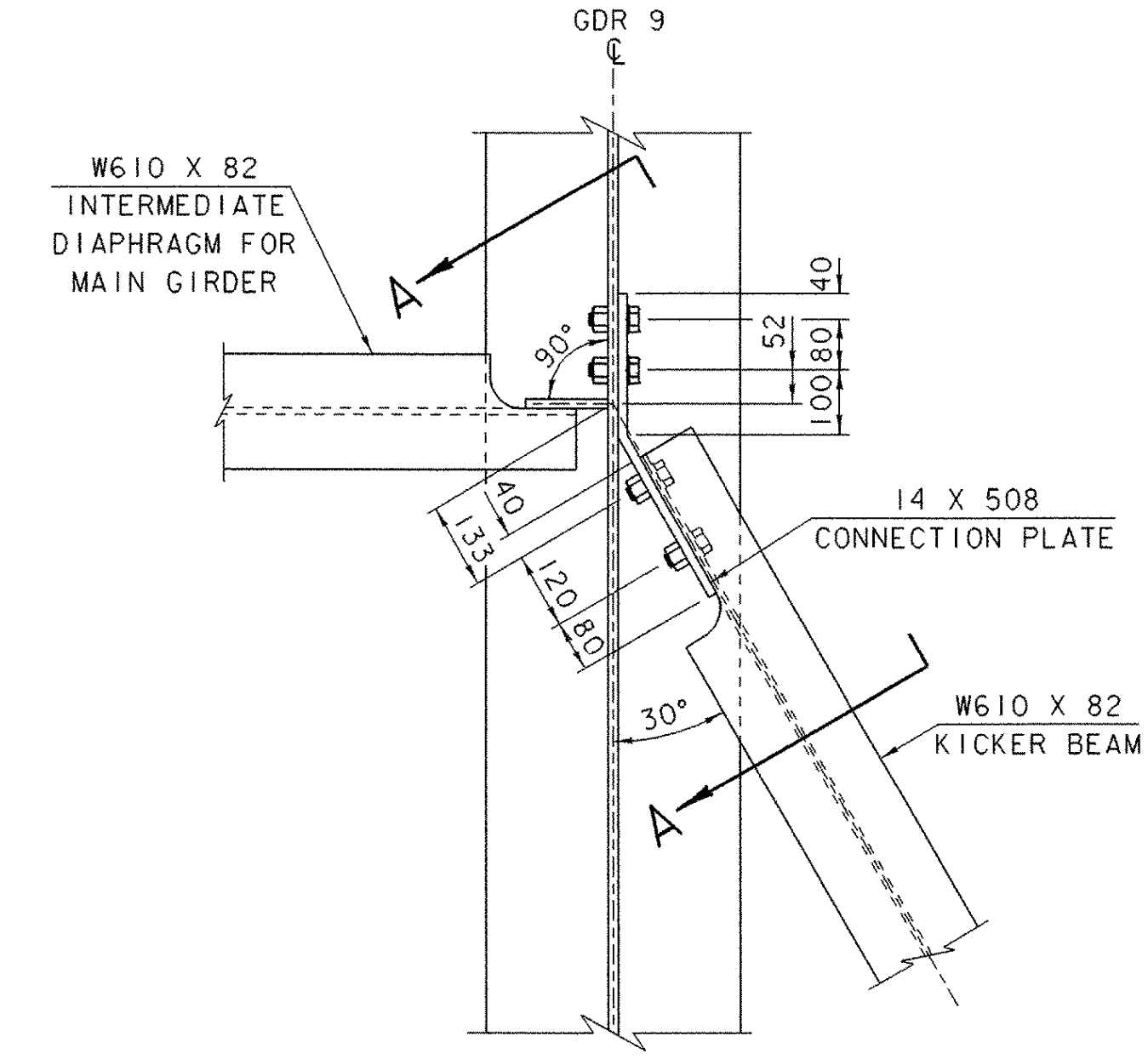
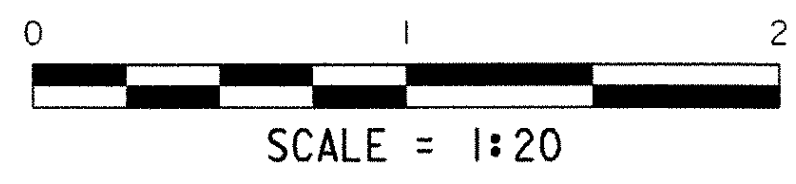
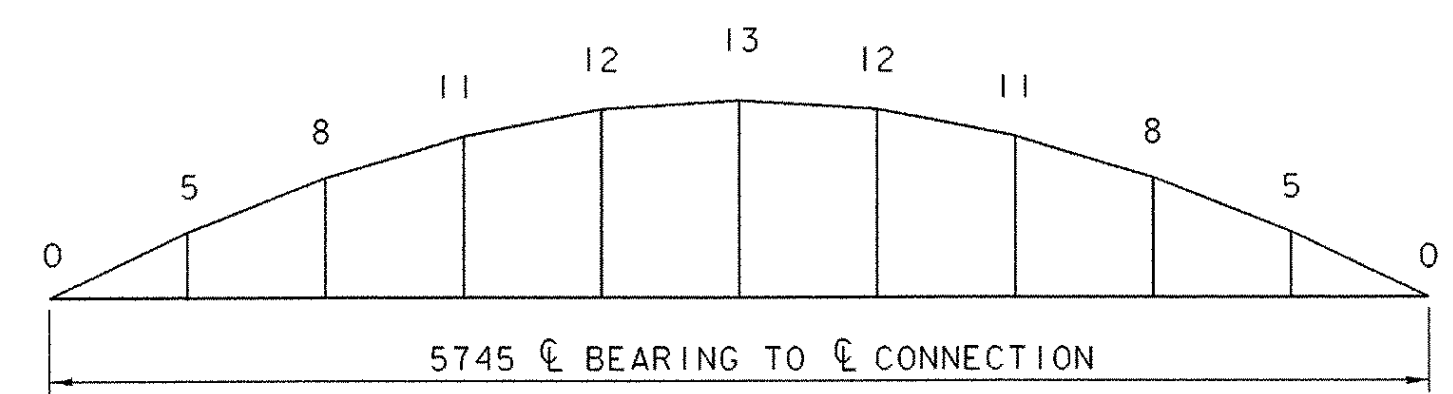
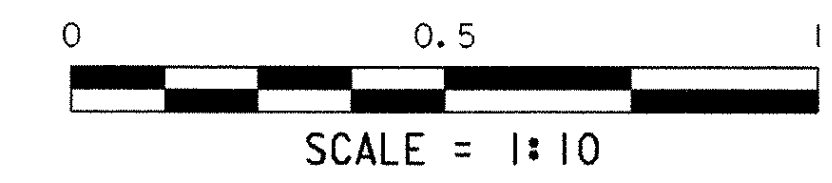


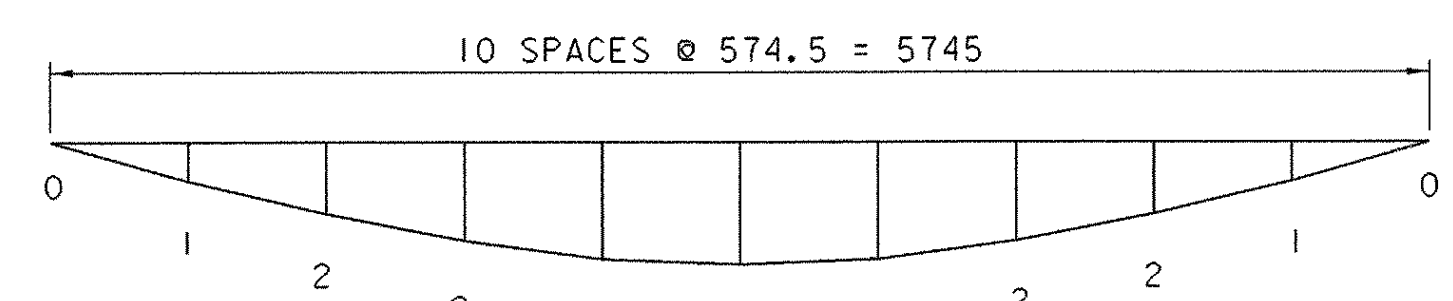
KICKER BEAM ELEVATION



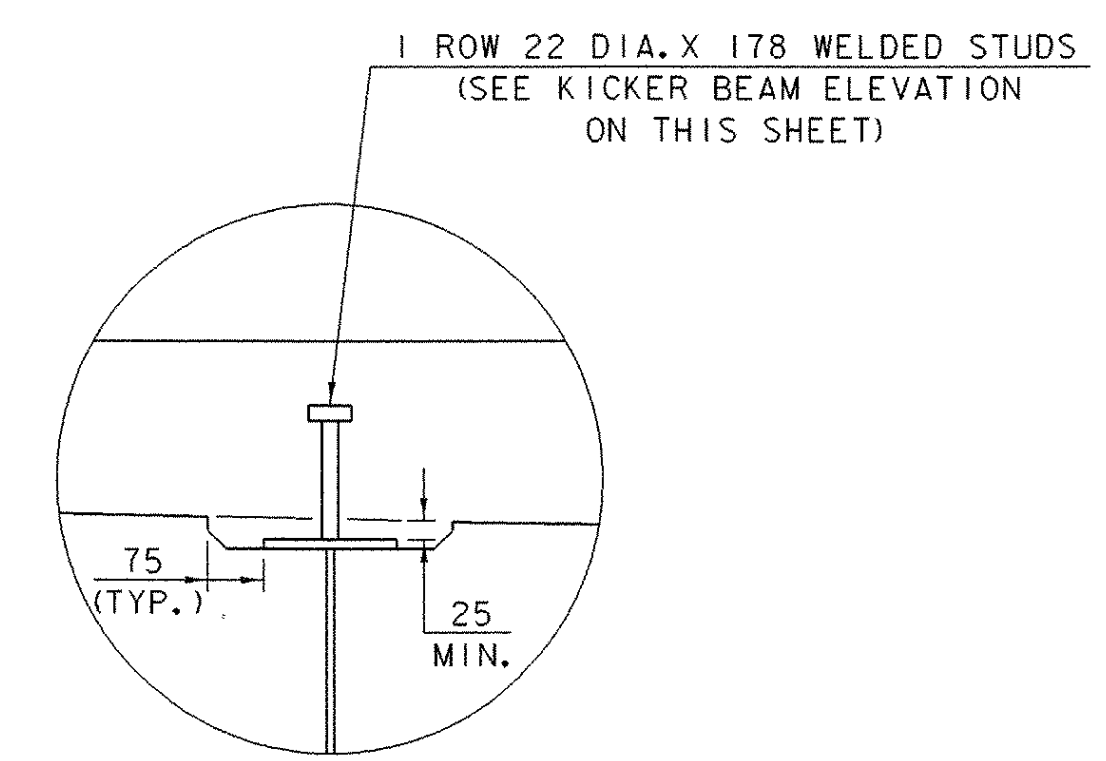
KICKER BEAM CONNECTION TO GIRDER 9 DETAIL



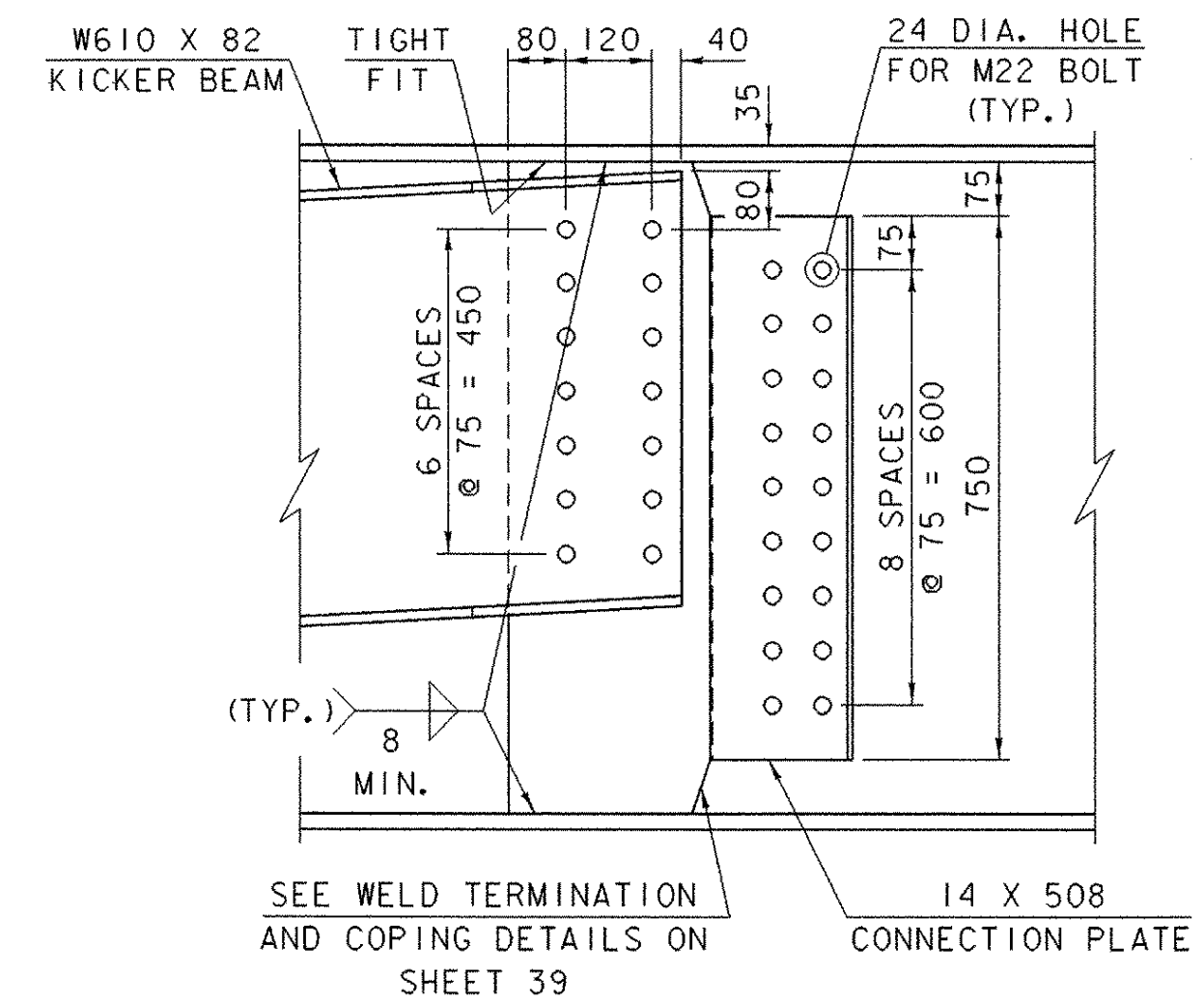
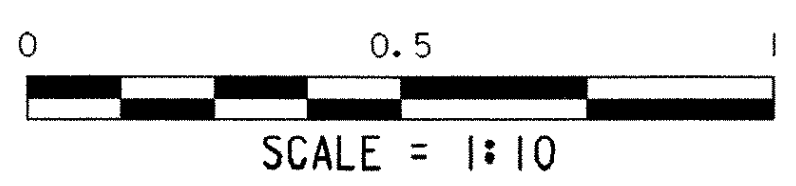
CAMBER DIAGRAM
NOT TO SCALE



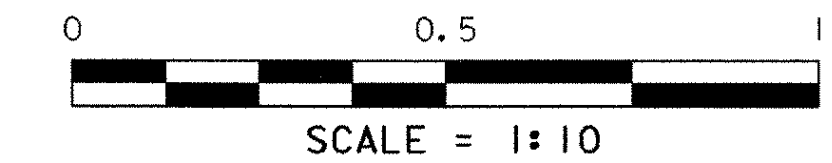
DEAD LOAD DEFLECTION
NOT TO SCALE



KICKER BEAM SHEAR STUD DETAIL



SECTION A-A



KICKER BEAM DETAILS

PROJECT NAME:	BRATTLEBORO
PROJECT NUMBER:	BHF 2000 (17)
FILE NAME:	94J078\Structures\sj078kbd.1
PROJECT MANAGER:	R. R. WHITCOMB
DESIGNED BY:	T. SUMNER
PLOT DATE:	06-FEB-2003
DRAWN BY:	B. MAURICE
CHECKED BY:	T. SUMNER
SHEET 40 OF 71	