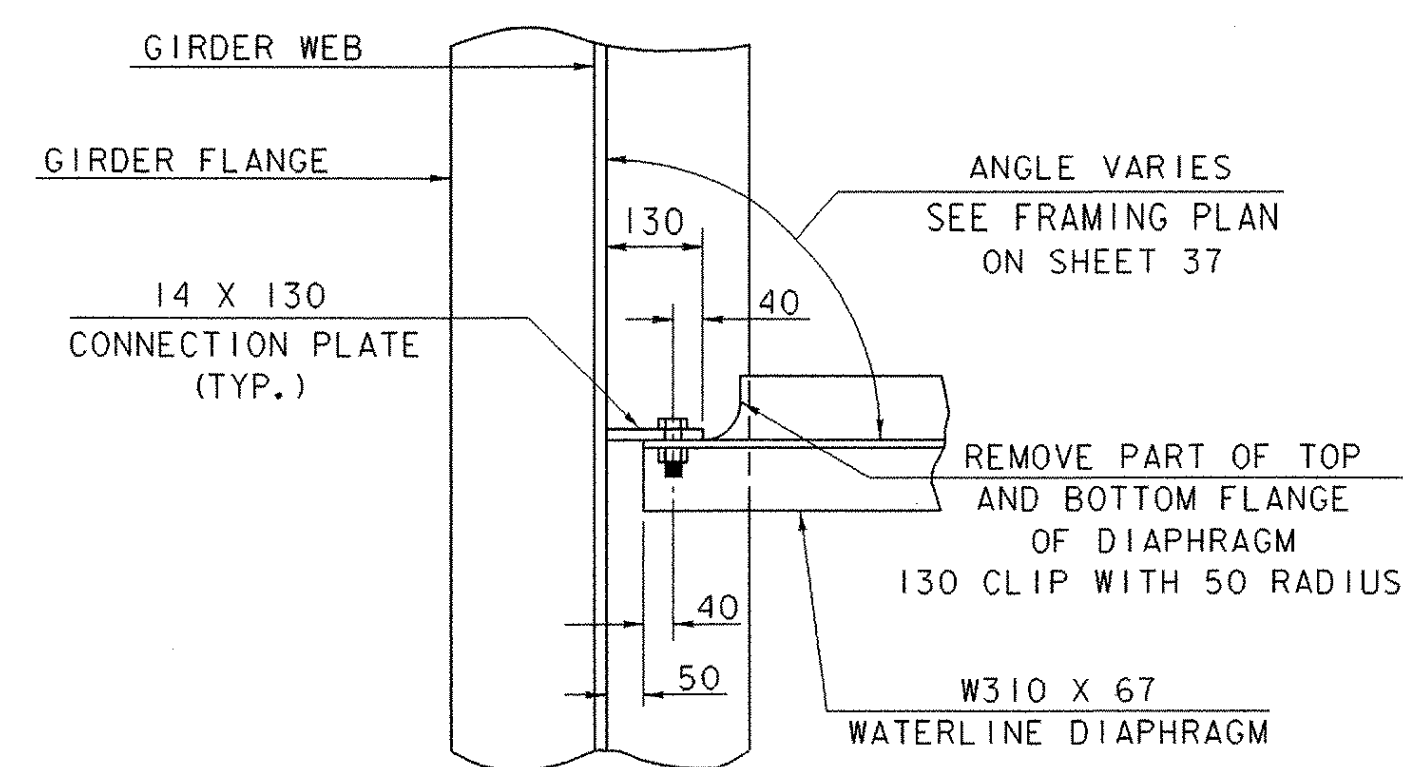
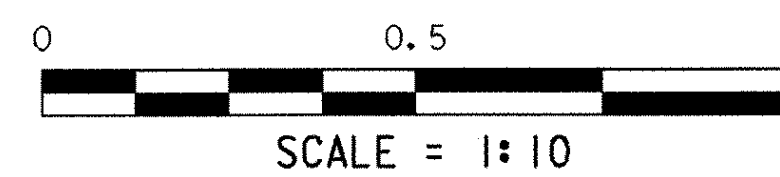
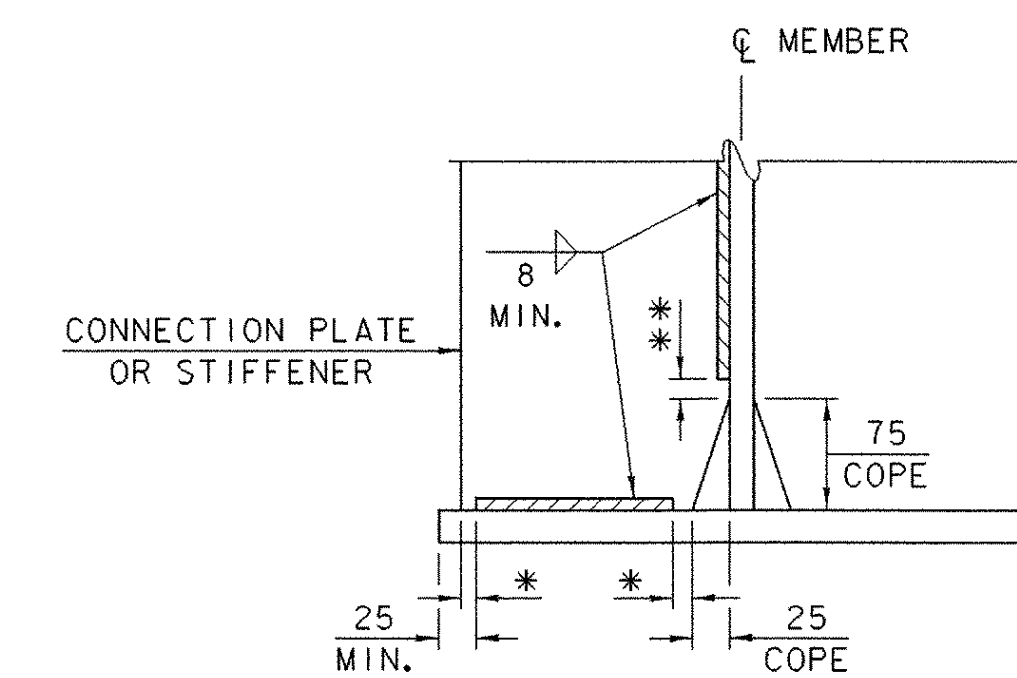
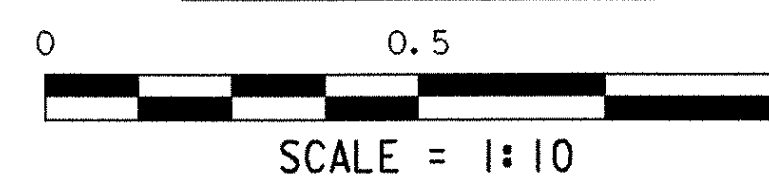


WATERLINE DIAPHRAGM AND WATERLINE CONNECTION PLATE

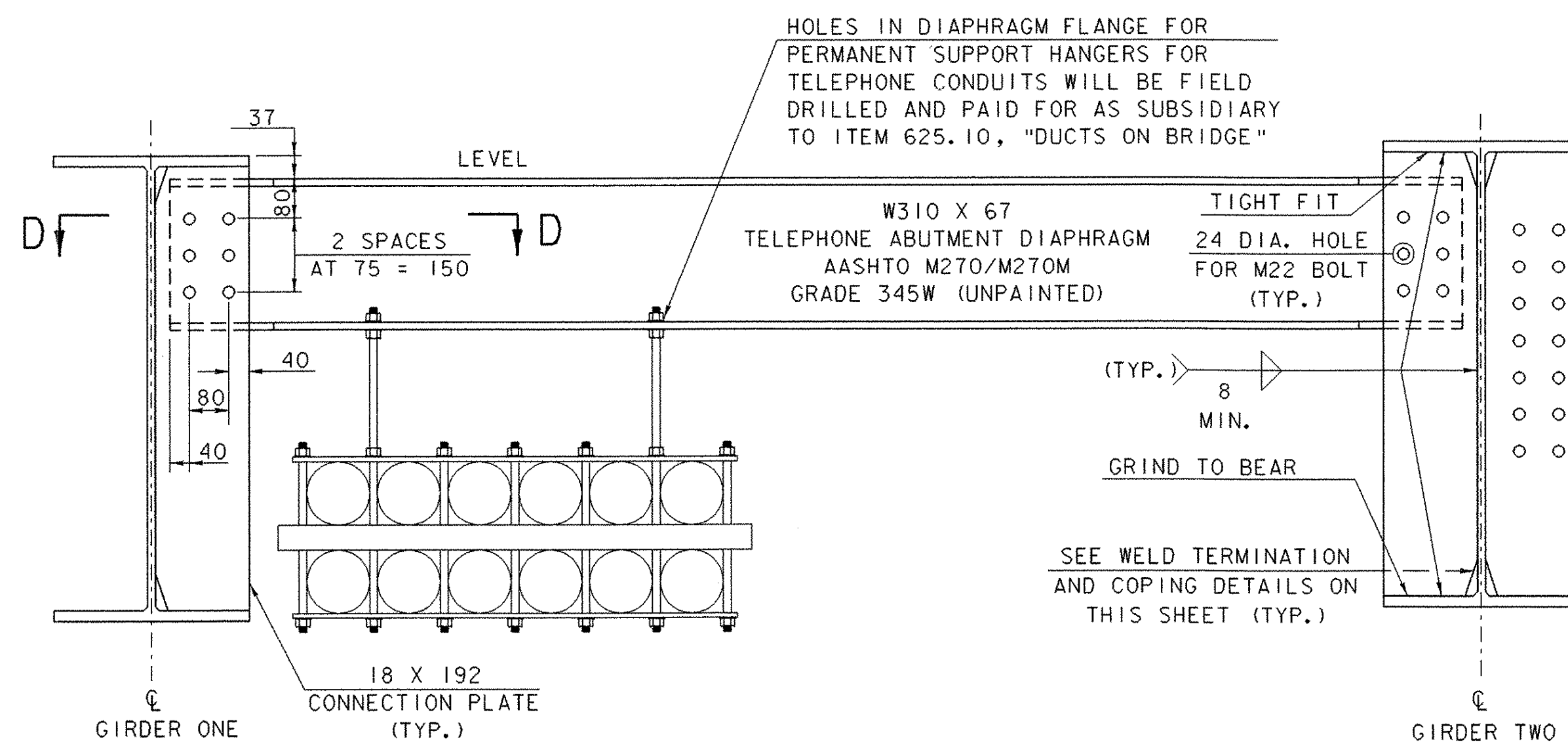


SECTION C-C

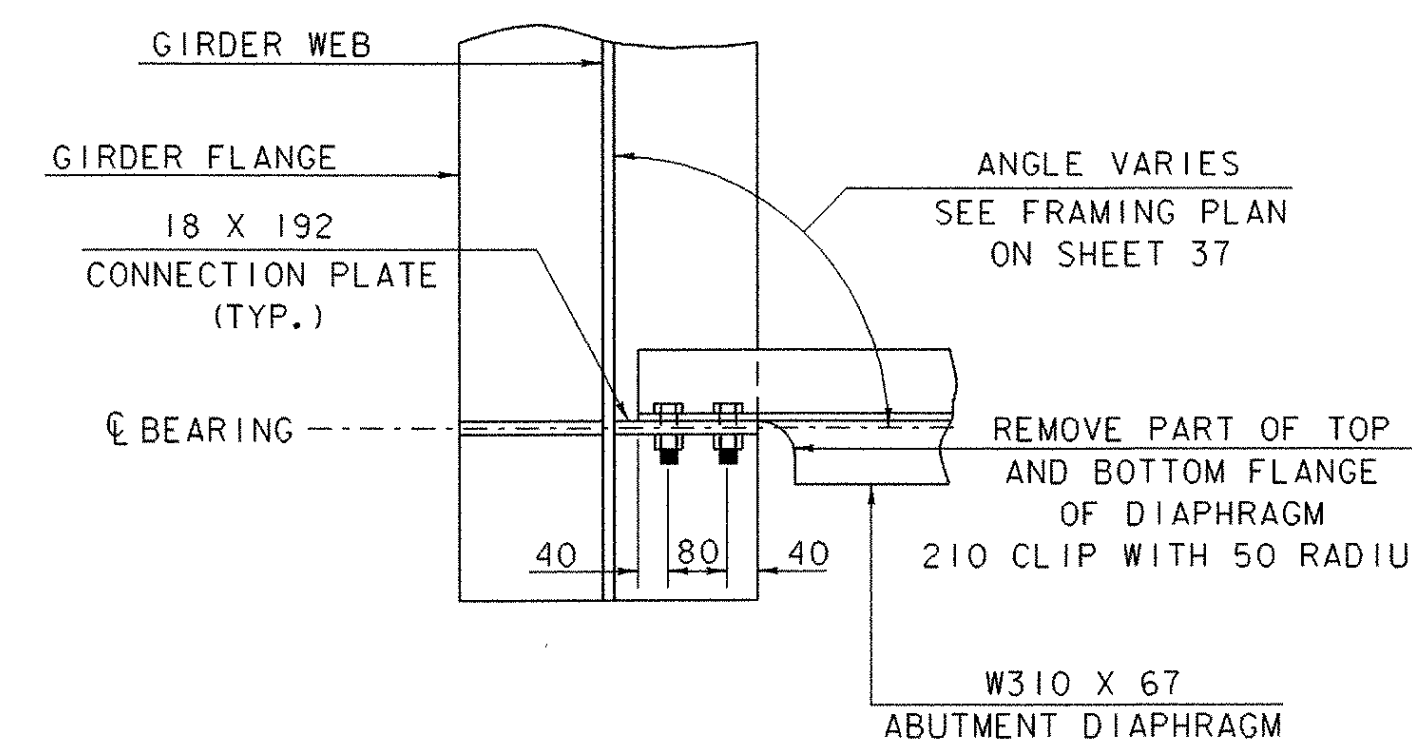
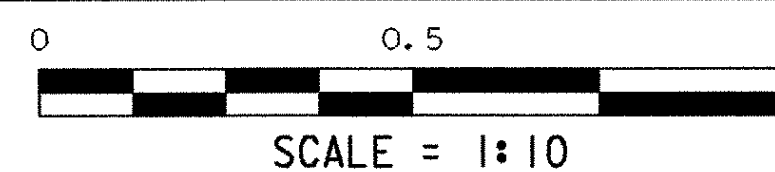


WELD TERMINATION AND COPING DETAIL FOR STEEL MEMBERS

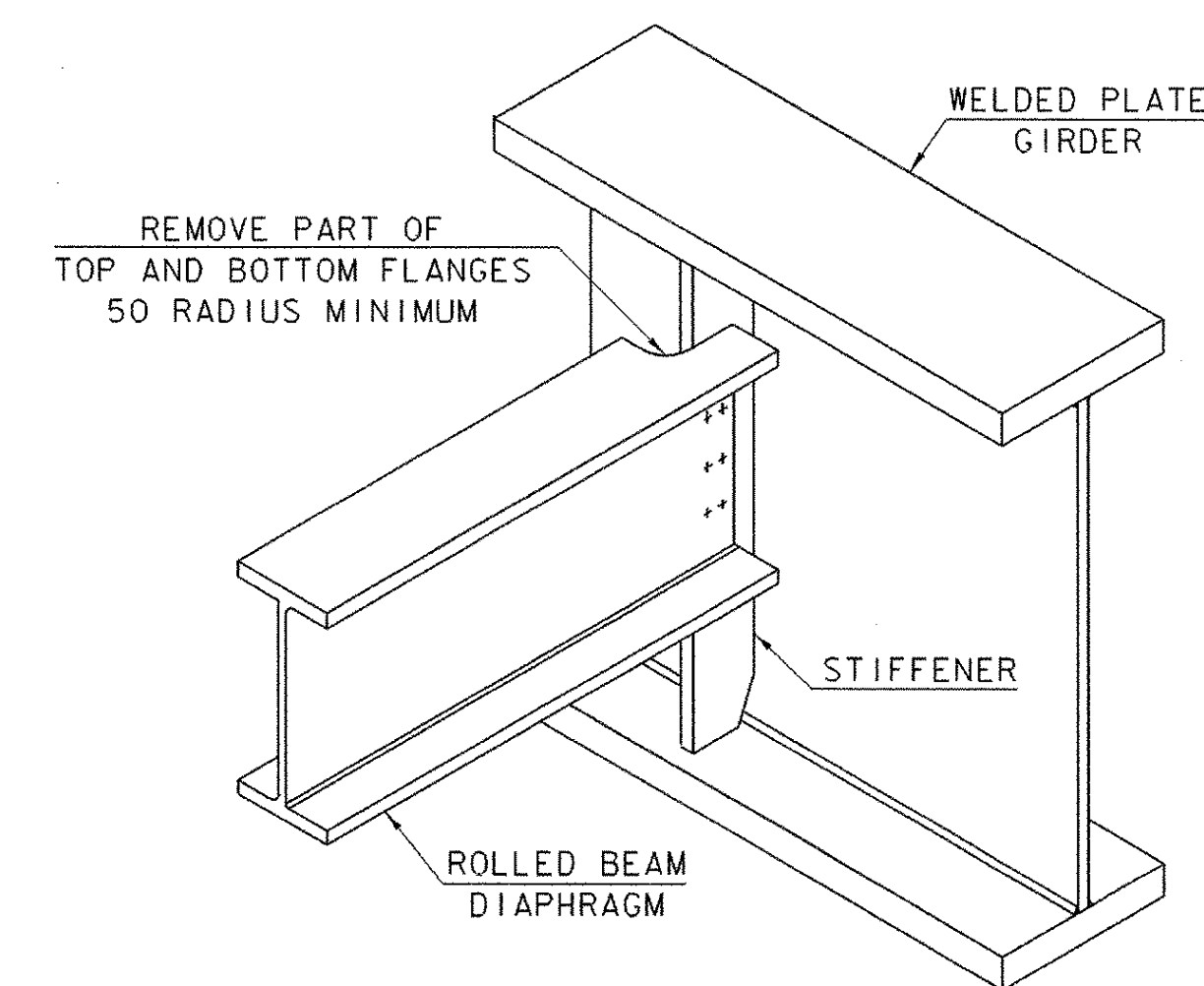
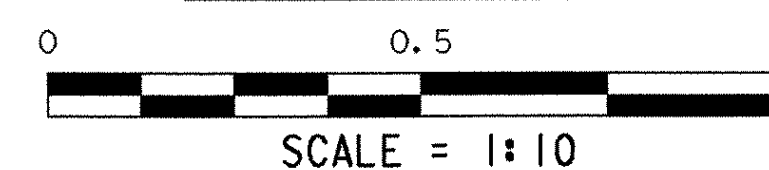
- * NO WELD FOR 6 MIN. , 12 MAX. (EXCEPT MUST MAINTAIN 25 MIN. FROM EDGE OF FLANGE)
- ** 12 ± 6 FOR CONNECTION PLATE OR STIFFENER TO WEB WELD ONLY.



TELEPHONE ABUTMENT DIAPHRAGM AND TELEPHONE ABUTMENT CONNECTION PLATE BETWEEN GIRDER ONE AND GIRDER TWO



SECTION D-D



ROLLED BEAM USED AS DIAPHRAGM

UTILITY DIAPHRAGM DETAILS

PROJECT NAME:	BRATTLEBORO	FILE NAME:	94j078\structures\sj078st2.1	PLOT DATE:	06-FEB-2003
PROJECT NUMBER:	BHF 2000 (17)	PROJECT MANAGER:	R.R. WHITCOMB	DRAWN BY:	B. MAURICE
		DESIGNED BY:	T. SUMNER	CHECKED BY:	T. SUMNER
				SHEET	39 OF 71

TELEPHONE INTERMEDIATE DIAPHRAGM AND TELEPHONE INTERMEDIATE CONNECTION PLATE DETAILS WILL BE THE SAME AS TELEPHONE ABUTMENT DIAPHRAGM AND TELEPHONE ABUTMENT CONNECTION PLATES BETWEEN GIRDER ONE AND GIRDER TWO EXCEPT FOR GRIND TO BEAR CAN BE REPLACED WITH TIGHT FIT.