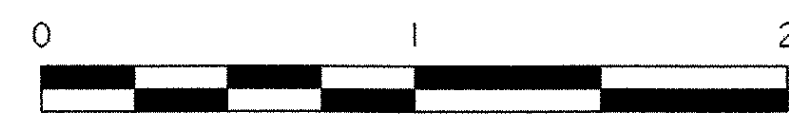


GIRDER ELEVATION



HORIZONTAL SCALE = 1:40

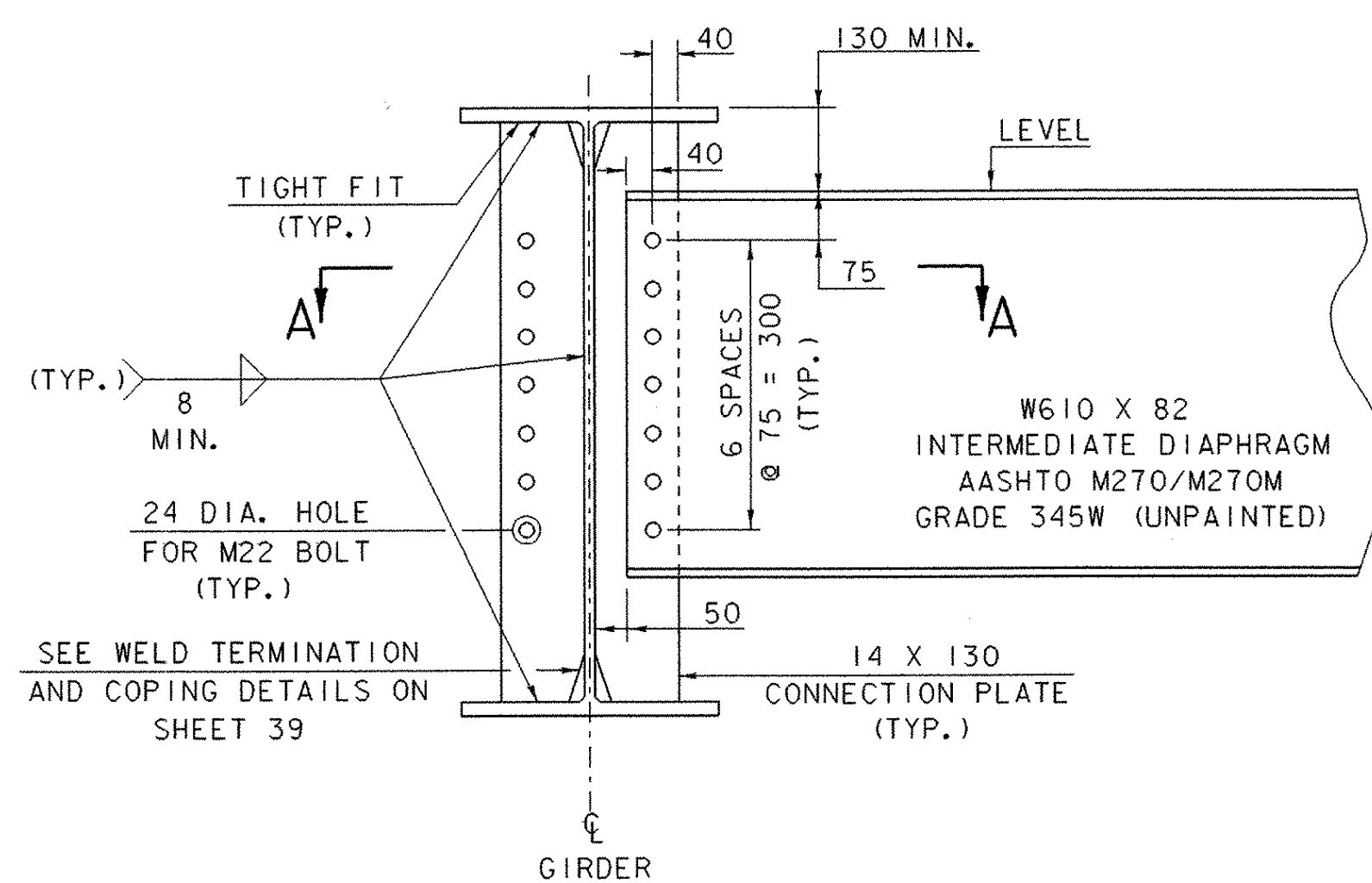


VERTICAL SCALE = 1:20

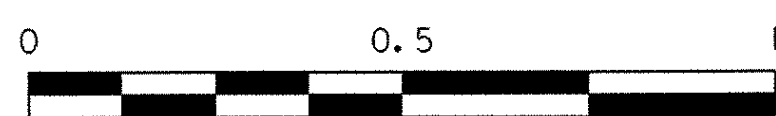
GIRDER NUMBER	DIMENSION "A"	TOTAL LENGTH	SHEAR CONNECTORS		
			SPACING	NUMBER OF STUDS	DIMENSION "C"
1	19 271	19 731	120 AT 160	242	36
2	18 989	19 449	118 AT 160	238	55
3	18 767	19 227	117 AT 160	236	24
4	18 607	19 067	116 AT 160	234	24
5	18 510	18 970	115 AT 160	232	55
6,7,8,9	18 478	18 938	115 AT 160	232	39

NOTES:

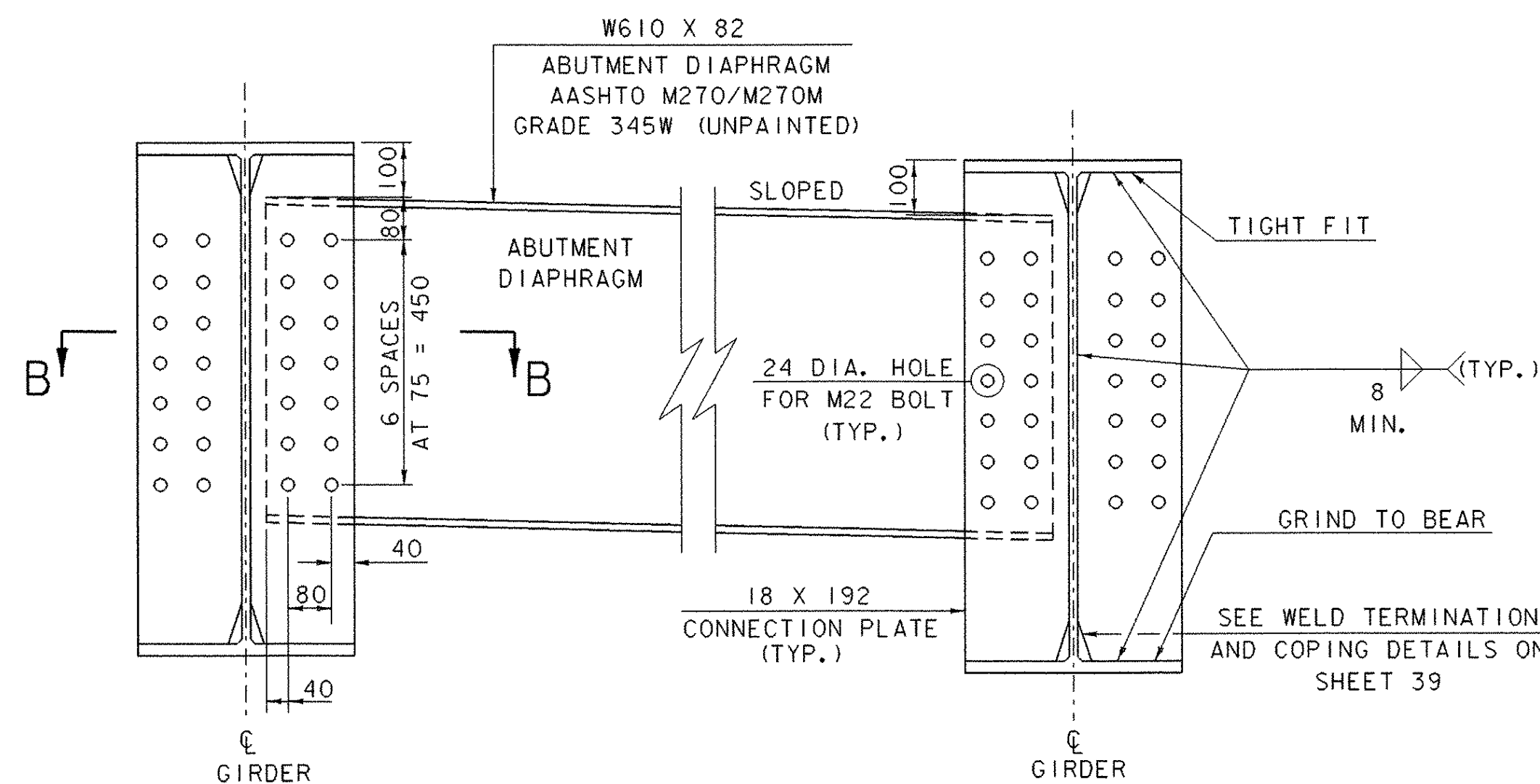
- CVN - SHALL MEET CHARPY V-NOTCH TEST
- ALL STRUCTURAL STEEL SHALL BE AASHTO M270/M270M, GRADE 345W, UNPAINTED.



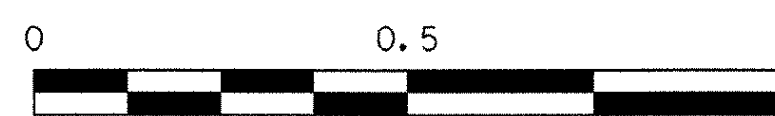
INTERMEDIATE DIAPHRAGM AND INTERMEDIATE CONNECTION PLATE



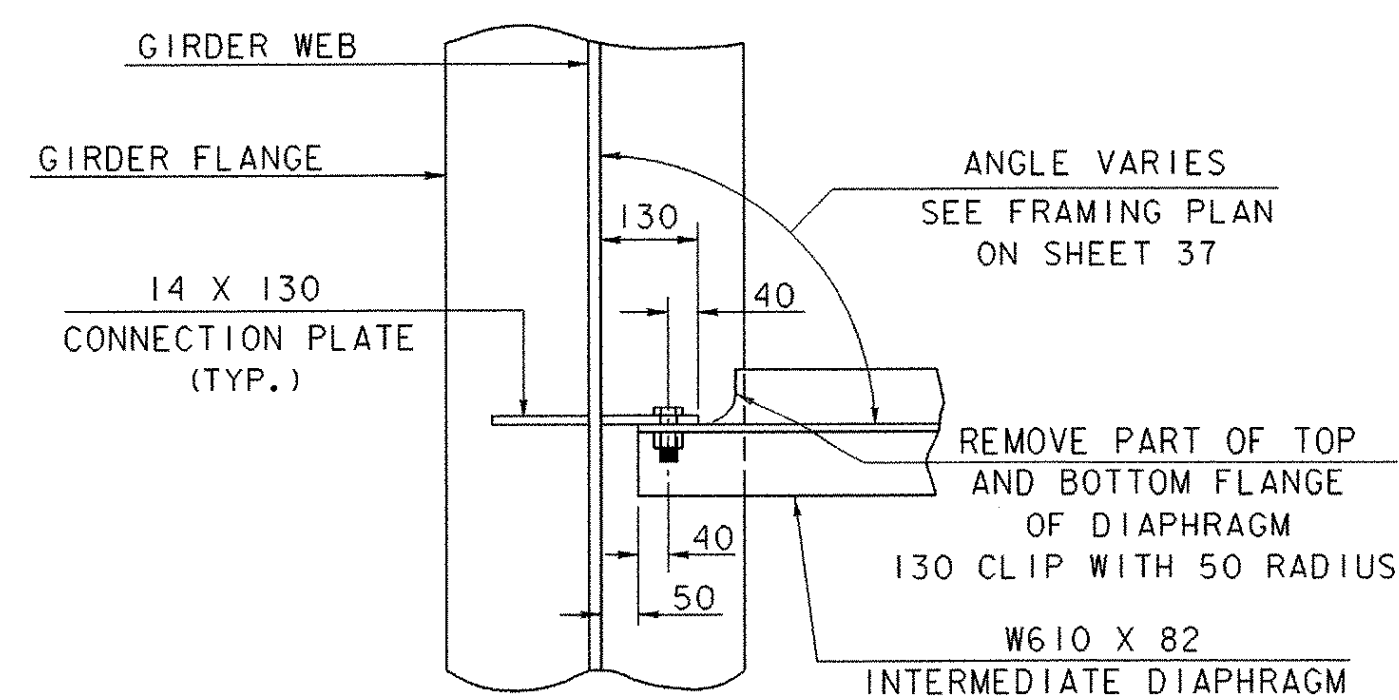
SCALE = 1:10



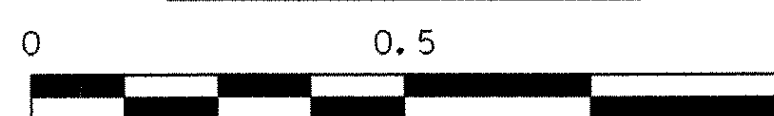
ABUTMENT DIAPHRAGM AND ABUTMENT CONNECTION PLATE



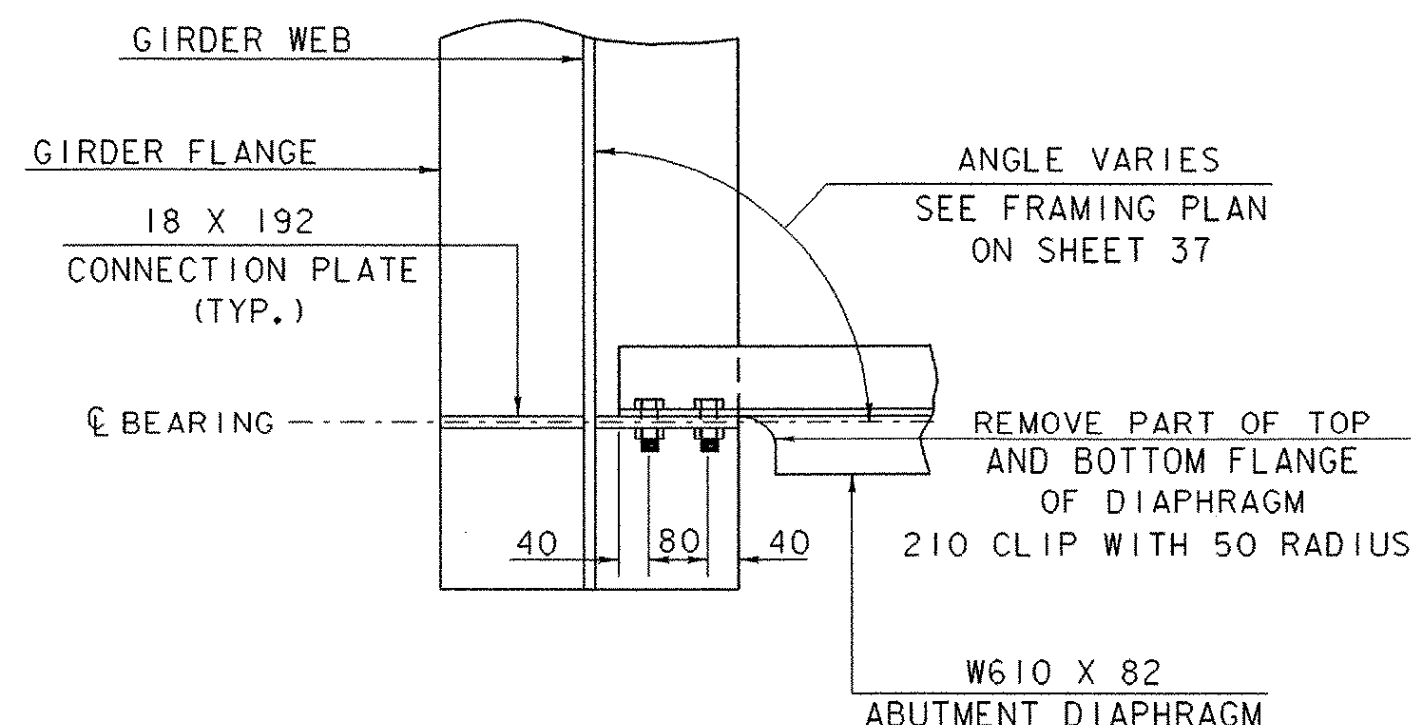
SCALE = 1:10



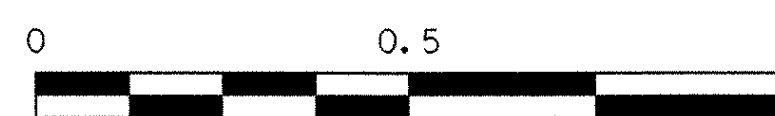
SECTION A-A



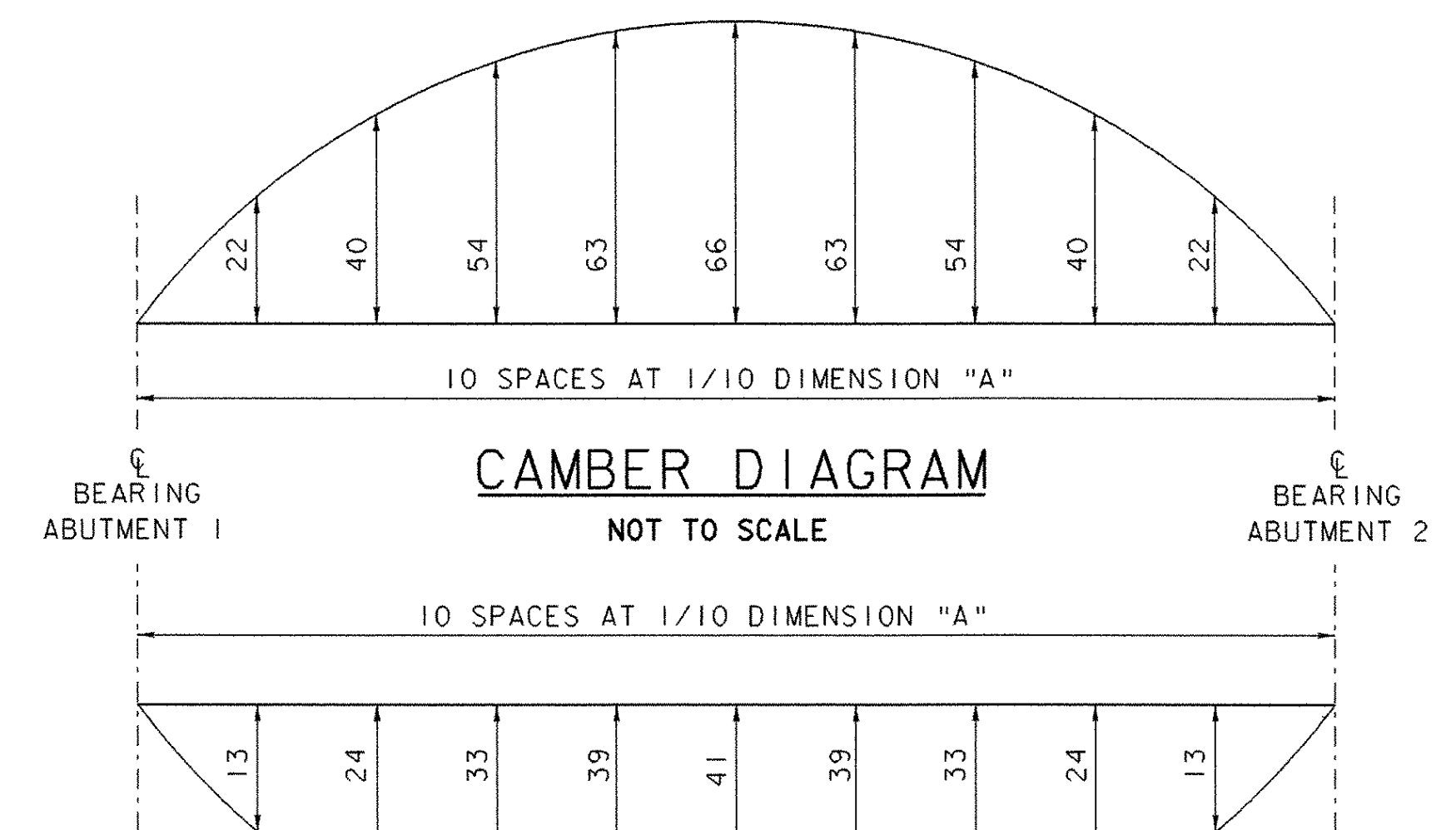
SCALE = 1:10



SECTION B-B



SCALE = 1:10



CAMBER DIAGRAM

NOT TO SCALE

DEAD LOAD DEFLECTION

NOT TO SCALE

GIRDER DETAILS

PROJECT NAME:	BRATTLEBORO	FILE NAME:	94j078\Structures\sj078st11	PLOT DATE:	06-FEB-2003
PROJECT NUMBER:	BHF 2000 (17)	PROJECT MANAGER:	R.R. WHITCOMB	DRAWN BY:	B. MAURICE
		DESIGNED BY:	T. SUMNER	CHECKED BY:	T. SUMNER
				SHEET	38 OF 71