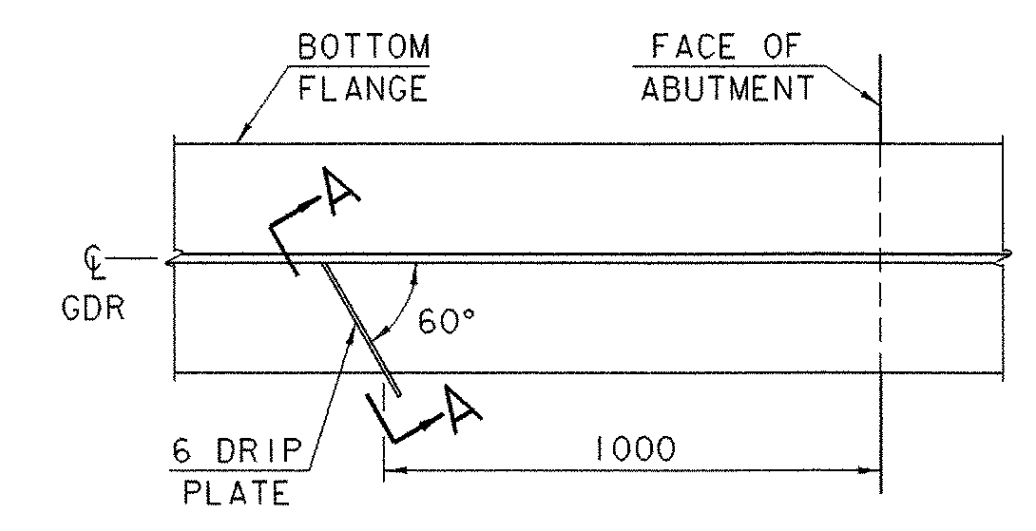
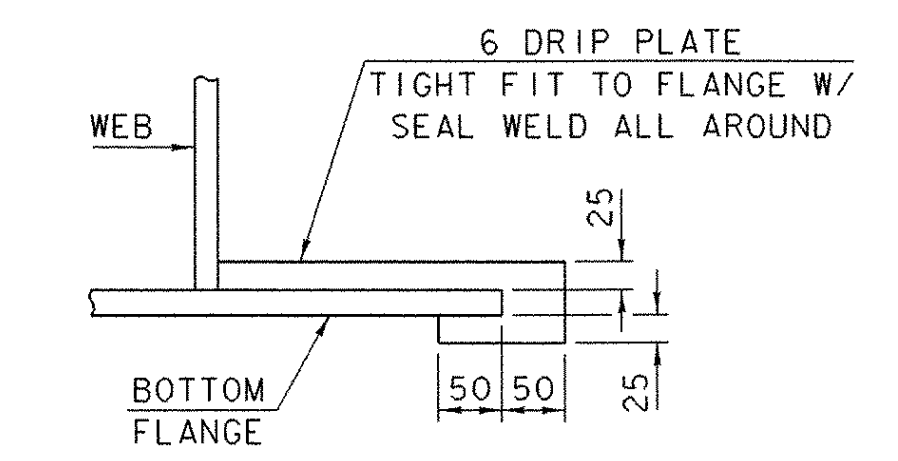


- A = 73°30'15"
- B = 76°40'36"
- C = 79°55'42"
- D = 83°14'49"
- E = 86°36'42"
- F = 106°29'45"
- G = 103°19'24"
- H = 100°04'18"
- I = 96°45'11"
- J = 93°23'18"

\* ADDITIONAL WATERLINE DIAPHRAGM CONNECTION PLATES REQUIRED BETWEEN GIRDERS 4 AND 5 IN ORDER TO ACCOMMODATE WATERLINE RELOCATION AS DETERMINED IN THE FIELD. (SAME LOCATION AS SHOWN BETWEEN GIRDERS 5 AND 6)



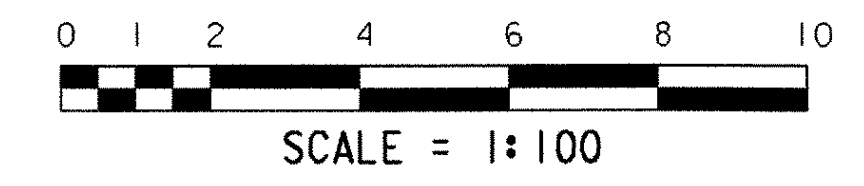
DRIP PLATE PLAN



SECTION A-A

NOTE:  
DRIP PLATES SHALL BE PLACED ON OUTSIDE EDGE OF FASCIA GIRDERS ON THE HIGH SIDE OF BOTH ABUTMENTS OR AS INDICATED ON THE PLANS.

FRAMING PLAN



FRAMING PLAN

PROJECT NAME:	BRATTLEBORO	PLOT DATE:	06-FEB-2003
PROJECT NUMBER:	BHF 2000 (17)	DRAWN BY:	B. MAURICE
FILE NAME:	94J078\Structures\sj078fp.j	CHECKED BY:	T. SUMNER
PROJECT MANAGER:	R. R. WHITCOMB	SHEET	37 OF 71
DESIGNED BY:	T. SUMNER		