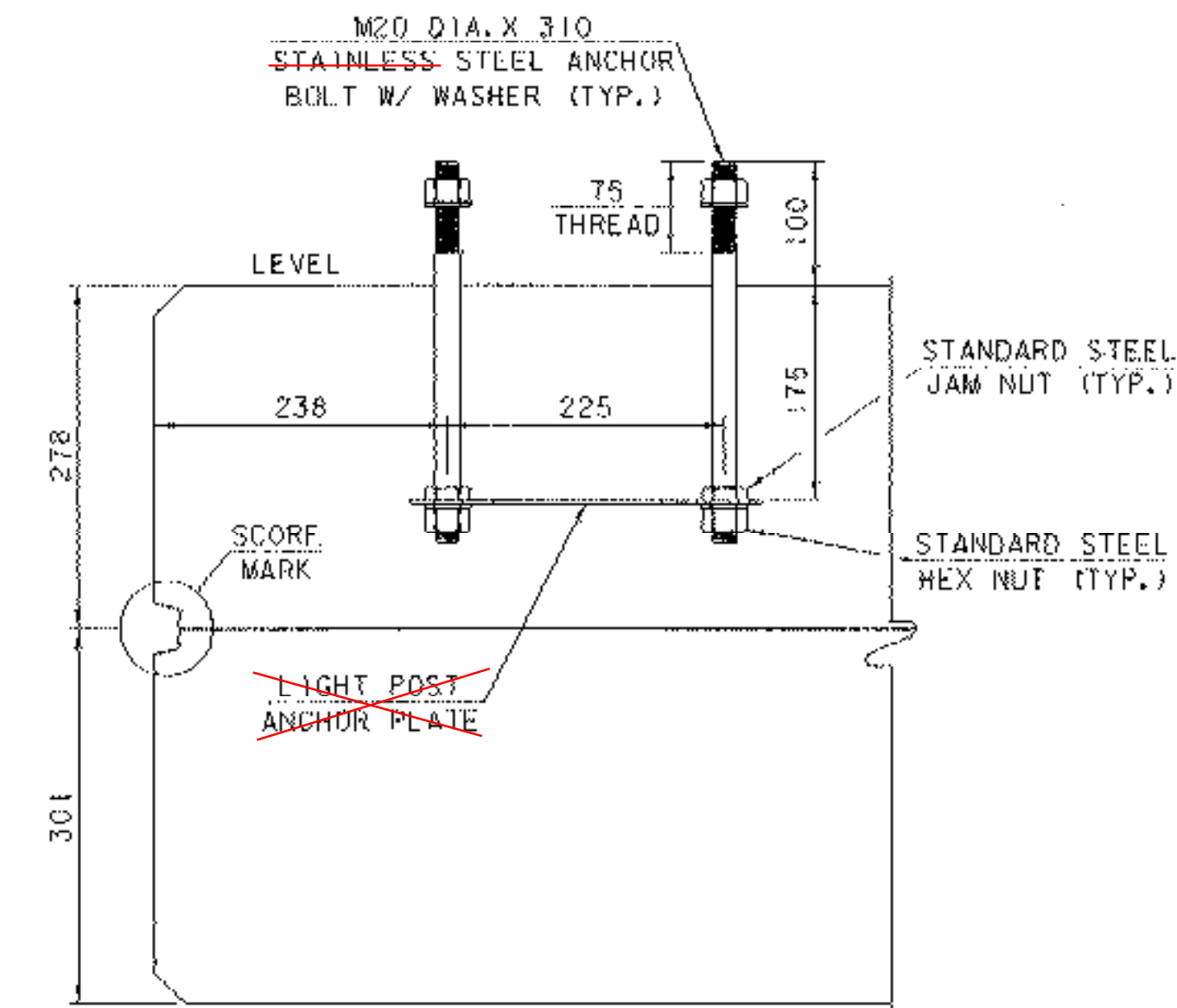
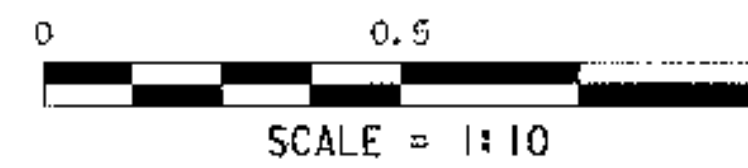
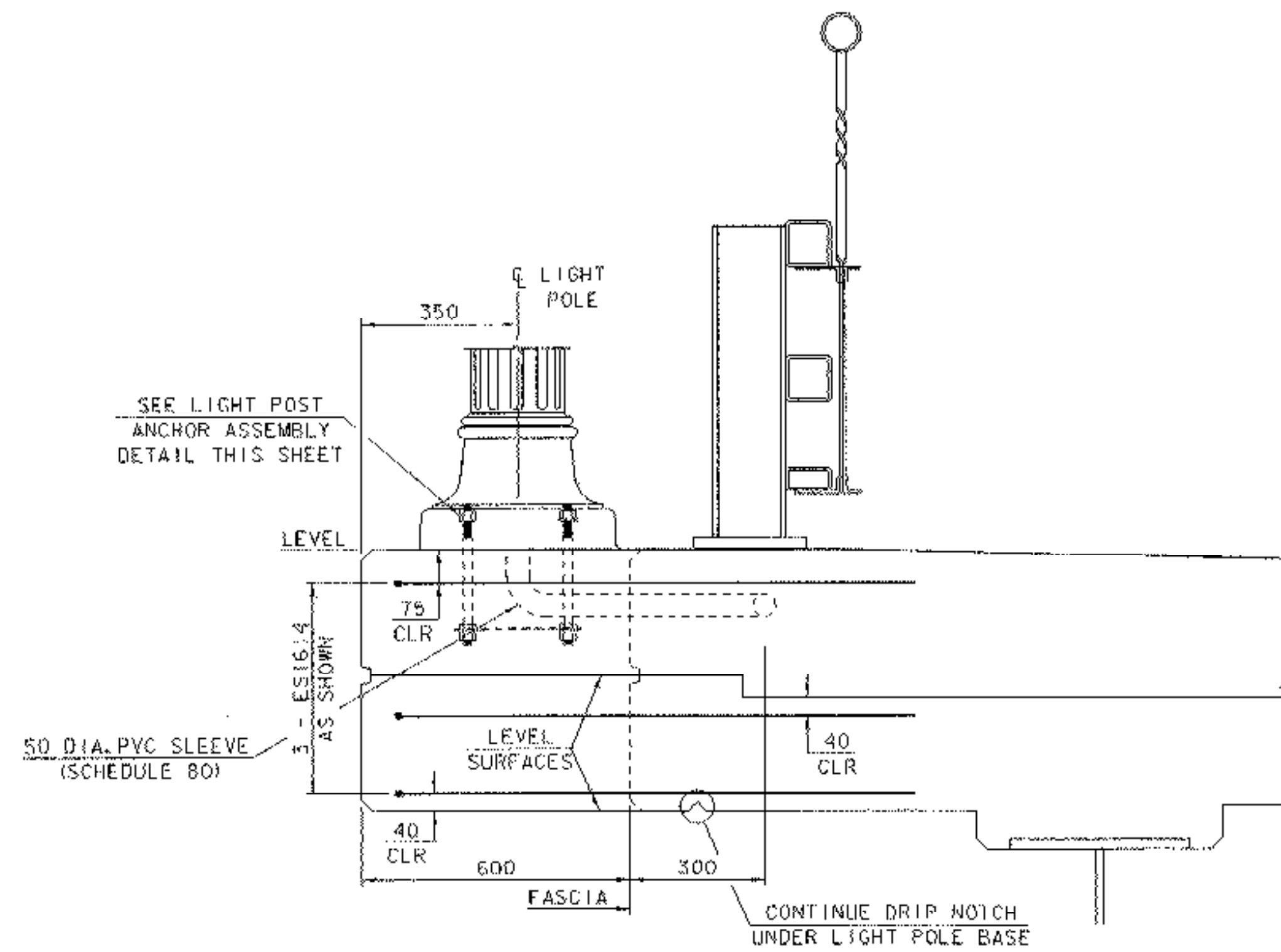
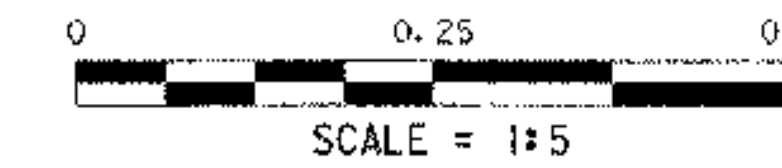


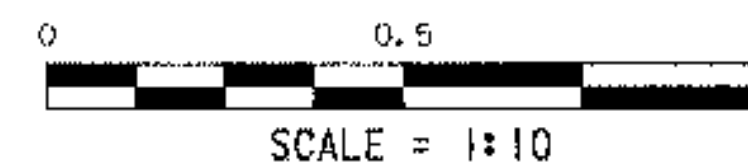
**LIGHT POLE BASE REINFORCING DETAIL**



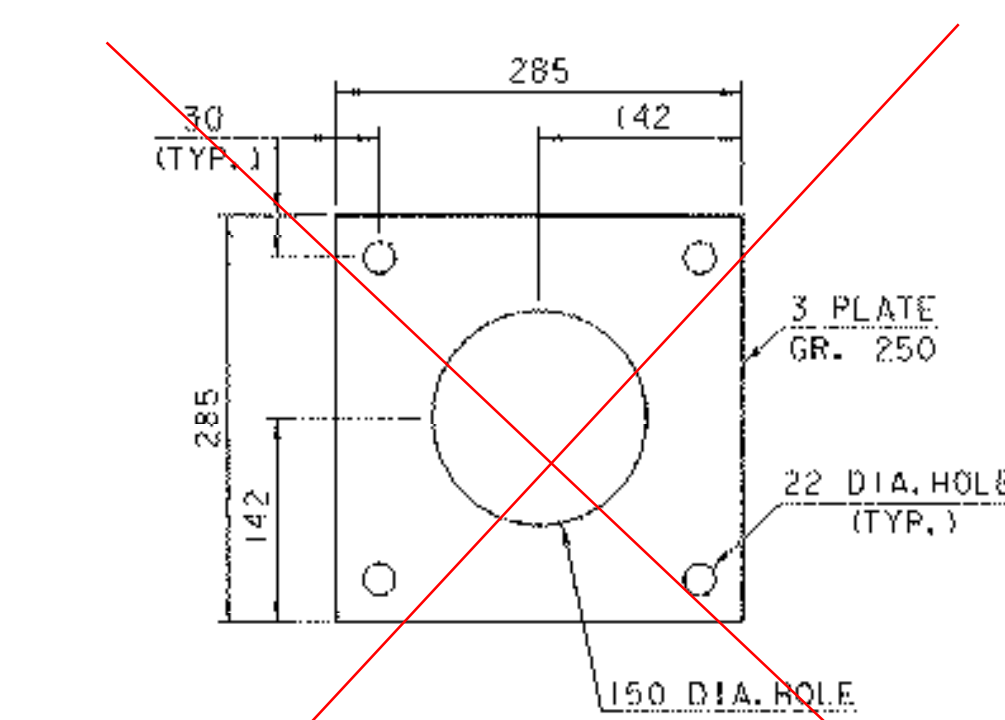
**LIGHT POST ANCHOR ASSEMBLY**



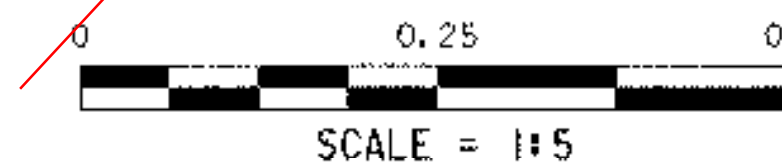
**SECTION A-A**



ANCHOR BOLTS DRILLED AND EPOXIED INTO PLACE



**LIGHT POST ANCHOR PLATE**



**LIGHT POST BASE DETAILS**

PROJECT NAME:	BRATTLEBORO	PLOT DATE:	06-FEB-2003
PROJECT NUMBER:	BHF 2000 (17)	DRAWN BY:	G. ROY
FILE NAME:	94J078\Structures\J078bd.d	DESIGNED BY:	T. SUMNER
PROJECT MANAGER:	R. R. WHITCOMB	CHECKED BY:	T. SUMNER
		SHEET	35 OF 71