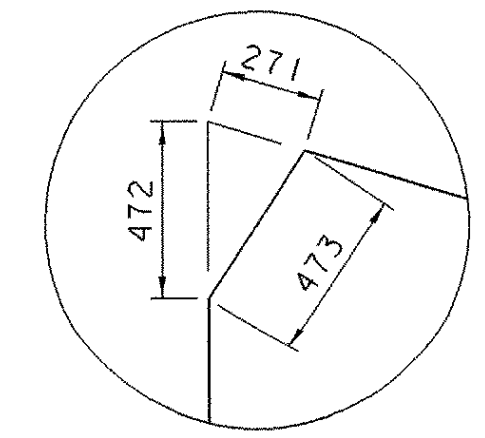
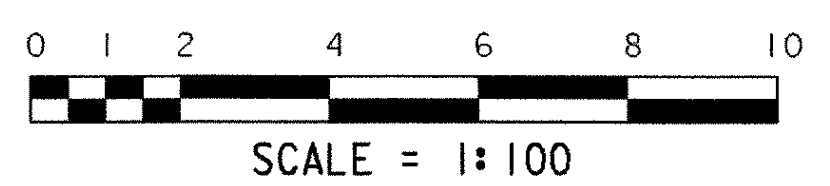
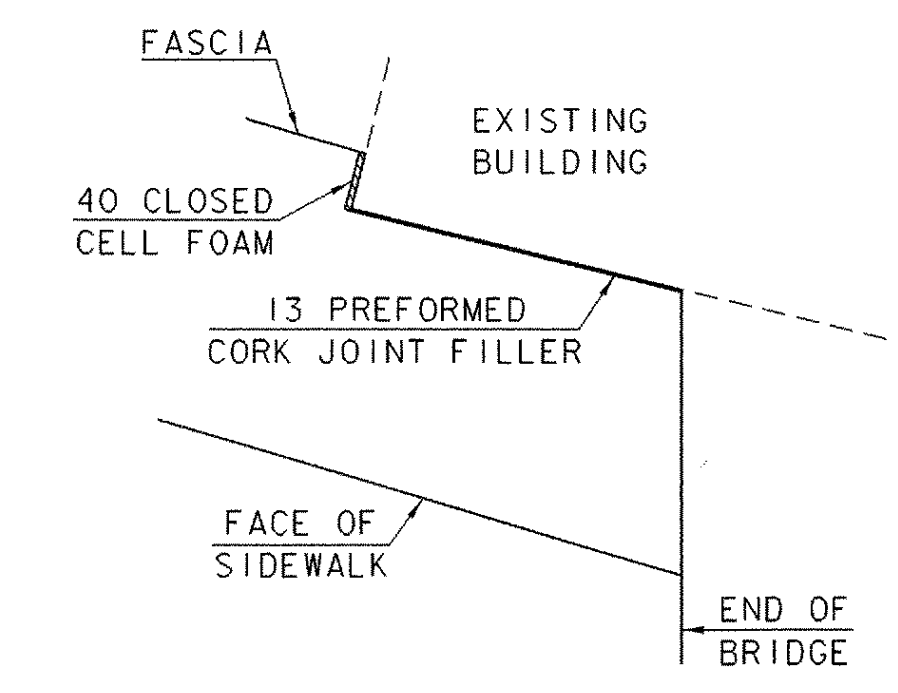
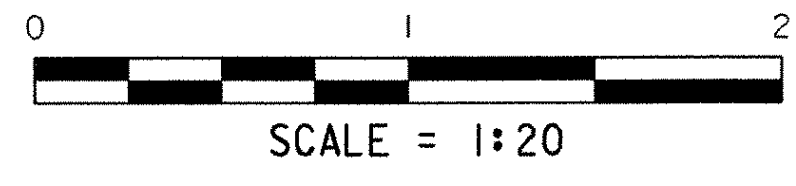


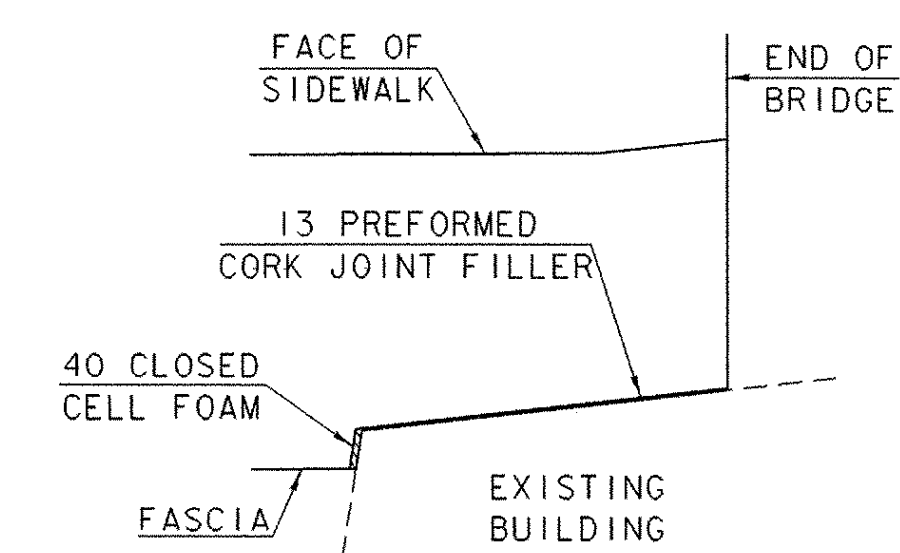
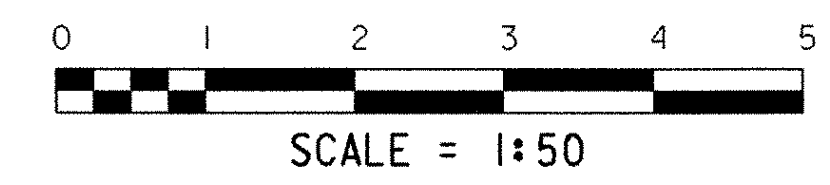
DECK REINFORCING PLAN



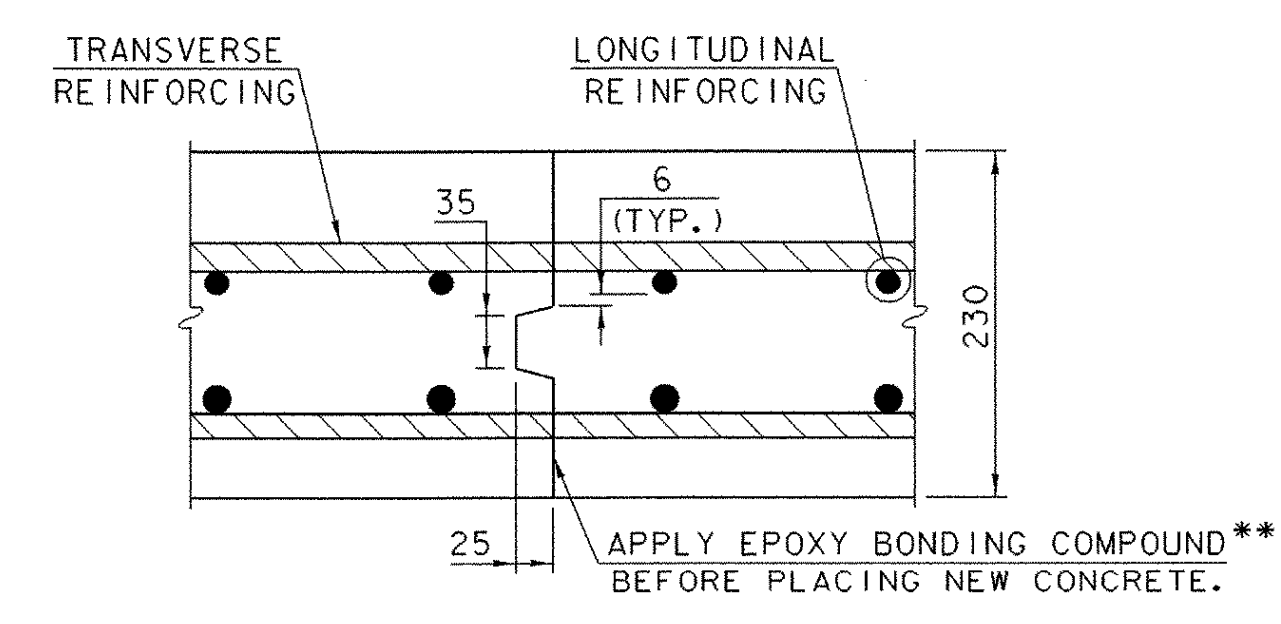
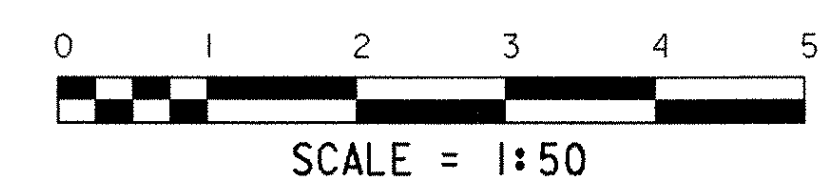
CLIP DETAIL



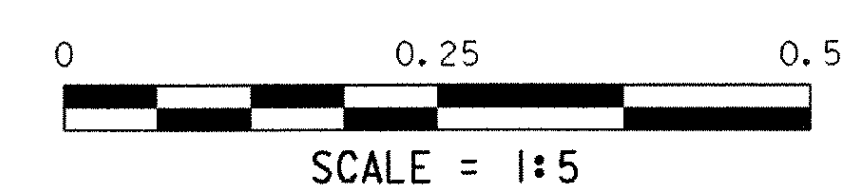
DETAIL "B"



DETAIL "C"



LONGITUDINAL BRIDGE DECK CONSTRUCTION JOINT DETAILS



** PAYMENT SHALL BE MADE SUBSIDIARY TO ITEM 501.33, "CONCRETE, HIGH PERFORMANCE CLASS A".

DECK REINFORCING PLAN

PROJECT NAME:	BRATTLEBORO	PLOT DATE:	06-FEB-2003
PROJECT NUMBER:	BHF 2000 (17)	DRAWN BY:	B. MAURICE
FILE NAME:	94j078\Structures\sj078drp.i	DESIGNED BY:	T. SUMNER
PROJECT MANAGER:	R. R. WHITCOMB	CHECKED BY:	T. SUMNER
		SHEET 34 OF 71	