
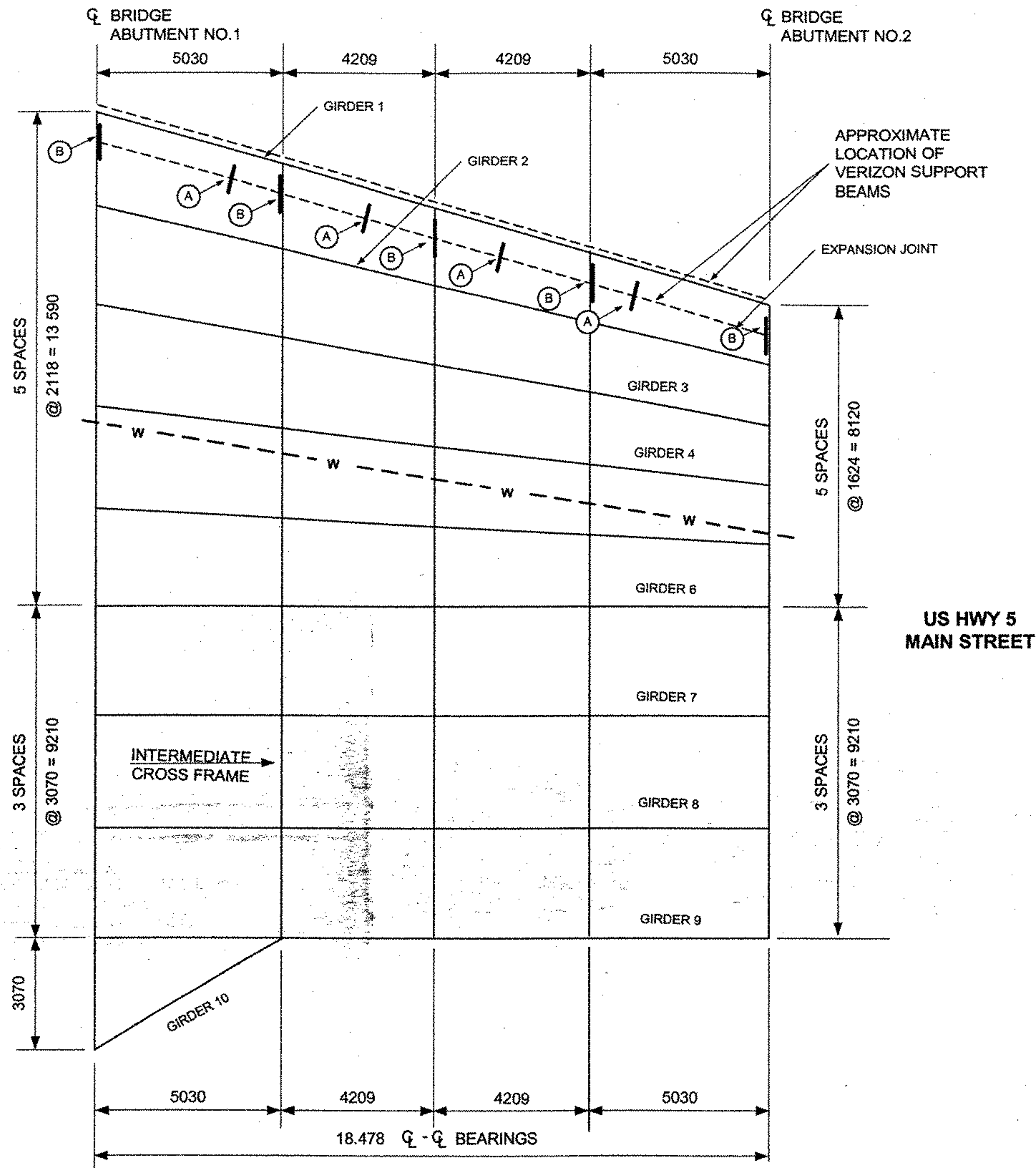


WORK ORDER

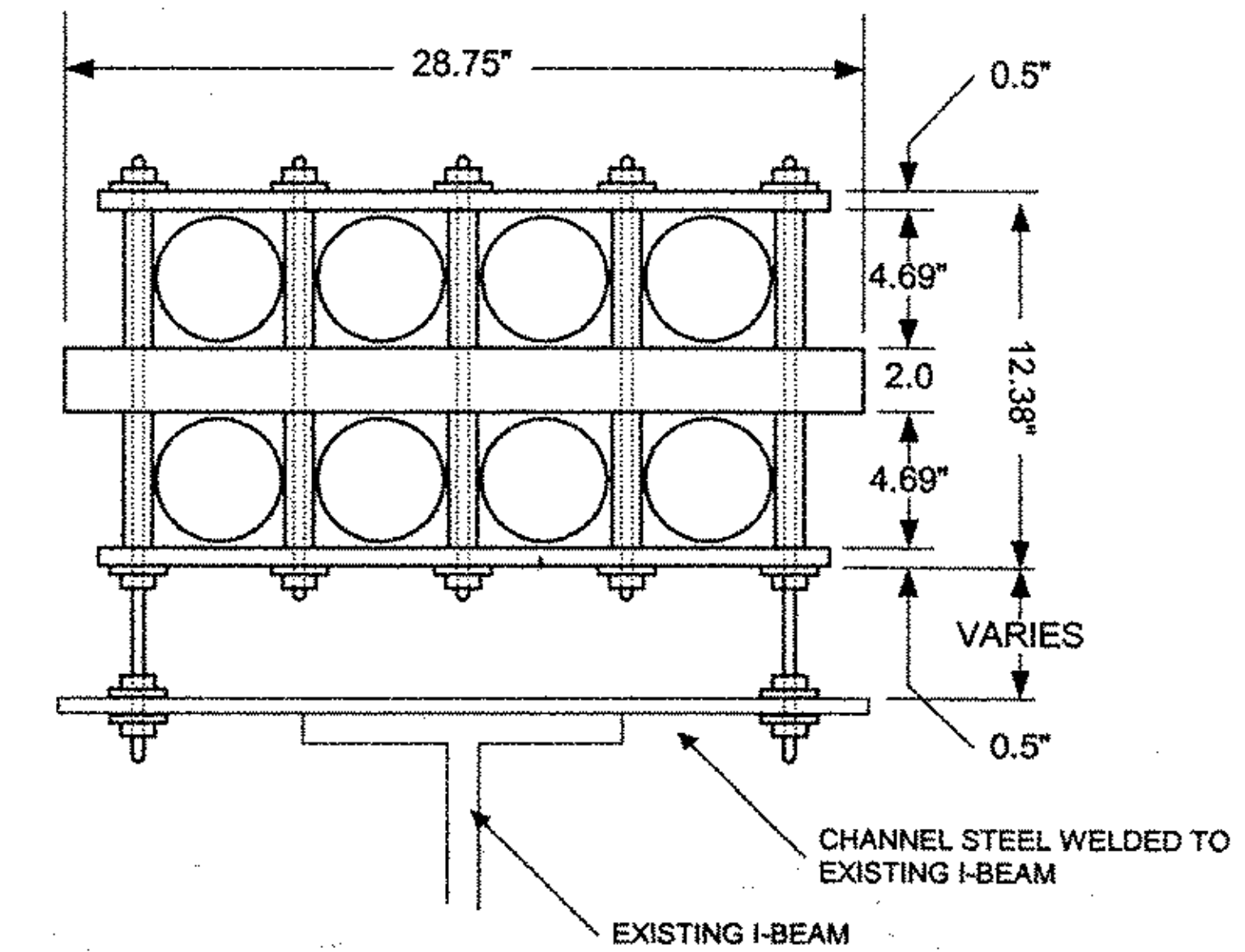
Notice: Not for Use/disclosure outside of VERIZON without written agreement

VERIZON

	SAFETY NOTES: NO SURVEY MADE		MOD/REV NO.	DATE	EWO NO. 7AA01S
					PRINT 18 OF
					PREPARED BY: NEIL E. SNYDER
					C.O. /EXCHANGE NAME: BRATTLEBORO
SIGNATURE		DATE	AERIAL	RECORD REF.	C.O. /EXCHANGE CODE:
		8/22/2002	-	-	4731
PRE CT YES <input type="checkbox"/> NO <input checked="" type="checkbox"/>		UNDERGROUND			MUNICIPALITY:
PRIMARY VOLTAGE TO GROUND		BLOCK (NYT)			BRATTLEBORO
7.2 KV MGN SYSTEM		CONDUIT			
CABLE PRESS.	UNDER PRESS. YES <input type="checkbox"/> NO <input checked="" type="checkbox"/>	BUFFER YES <input type="checkbox"/> NO <input checked="" type="checkbox"/>	MANHOLE LOCATION MH# NA		
TRANSMISSION	26GA LIMIT YES <input type="checkbox"/> NO <input checked="" type="checkbox"/>	AMT. BRIDGE TAP -	KF		

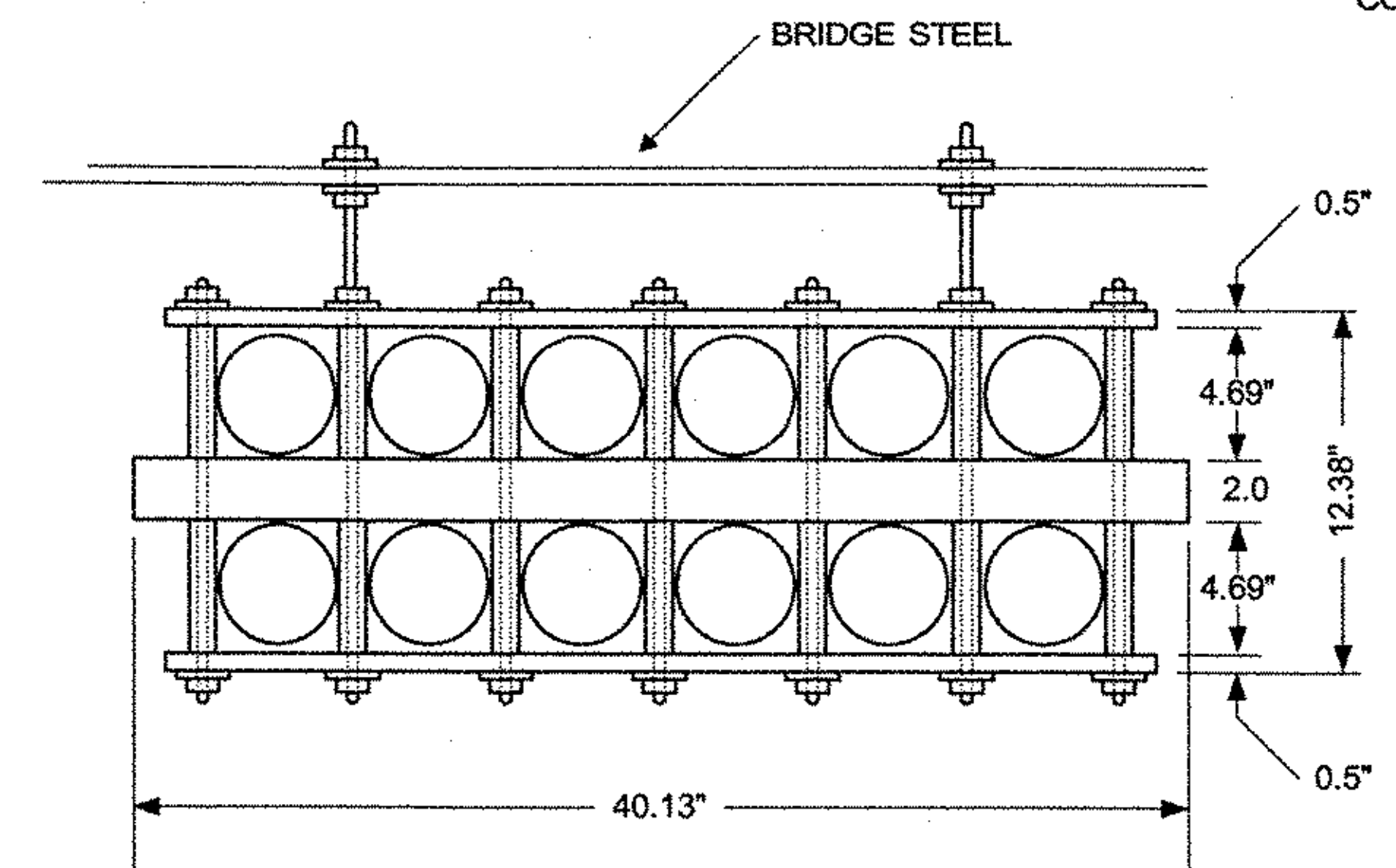


(A) DETAIL TEMPORARY SUPPORT HANGERS
(4 HANGERS ON 12.6" CENTERS)



DESIGN WEIGHTS:
FIBERGLASS CONDUIT 6.8 lb./ft.
(8 @ .85lbs>/ft)
COPPER CABLE MAX 56.0 lb./ft.
(8 @ 7.0lbs>/ft)

(B) DETAIL PERMANENT SUPPORT HANGERS
(5 HANGERS ON INTERMEDIATE CROSS FRAME MEMBERS)



DESIGN WEIGHTS:
FIBERGLASS CONDUIT 10.2 lb./ft.
(12 @ .85lbs>/ft)
COPPER CABLE MAX 84.0 lb./ft.
(12 @ 7.0lbs>/ft)

NEW BRIDGE BEAM STRUCTURE



WHETSTONE BROOK

10/7/2002