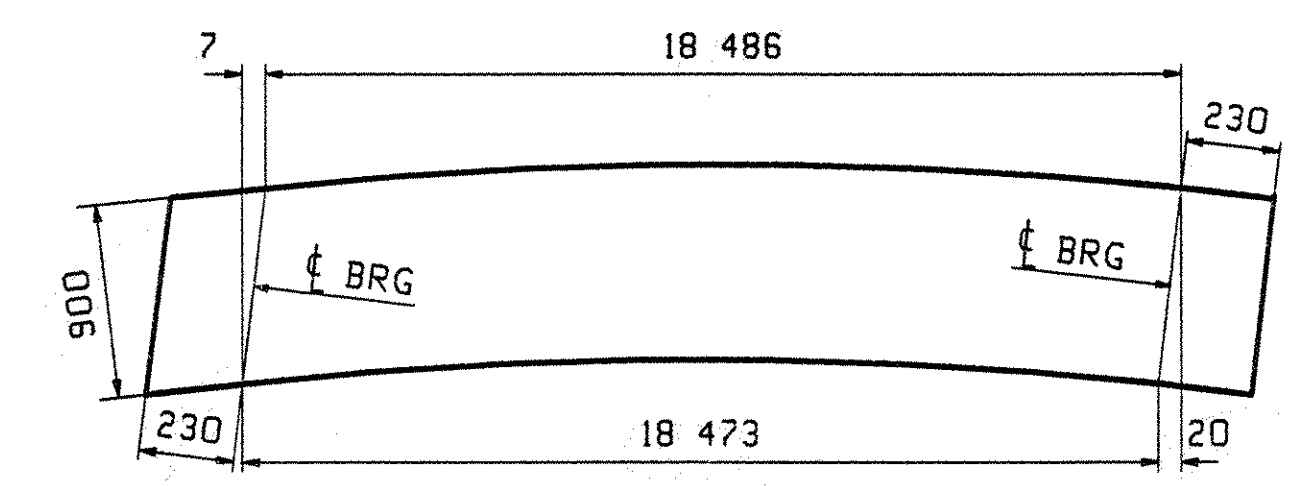
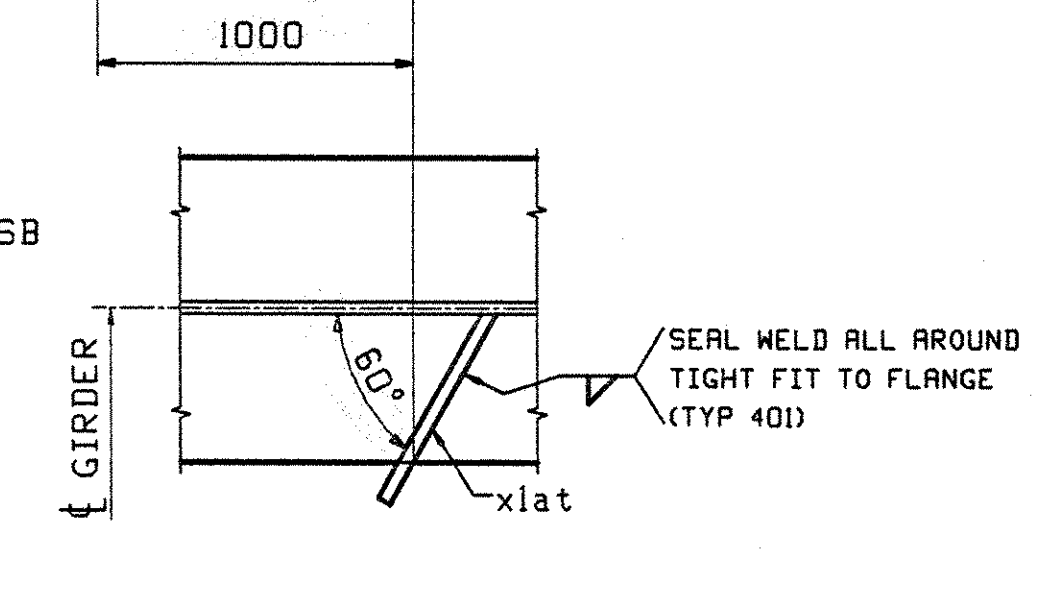
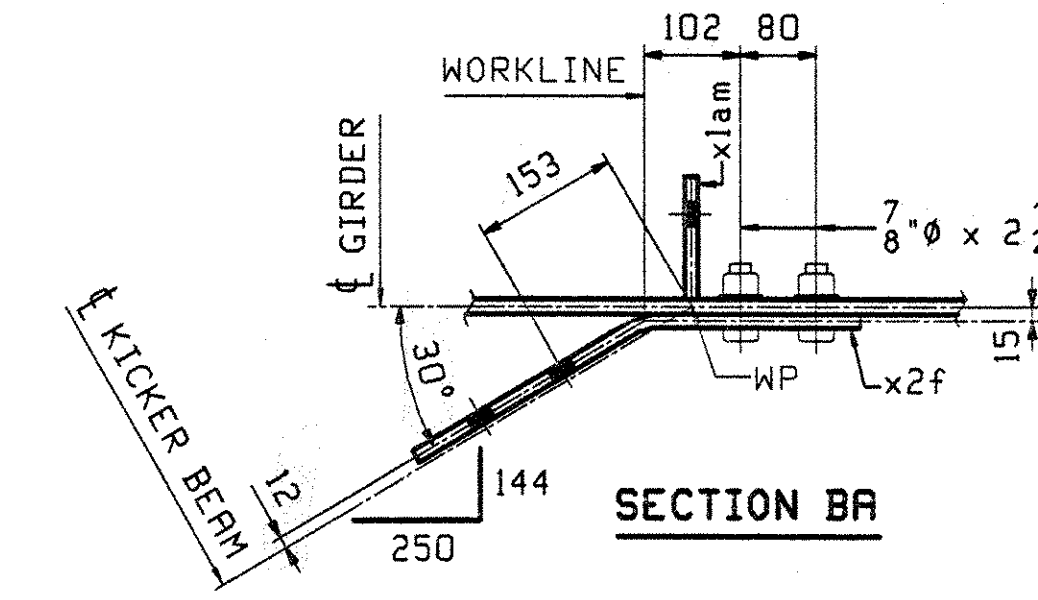


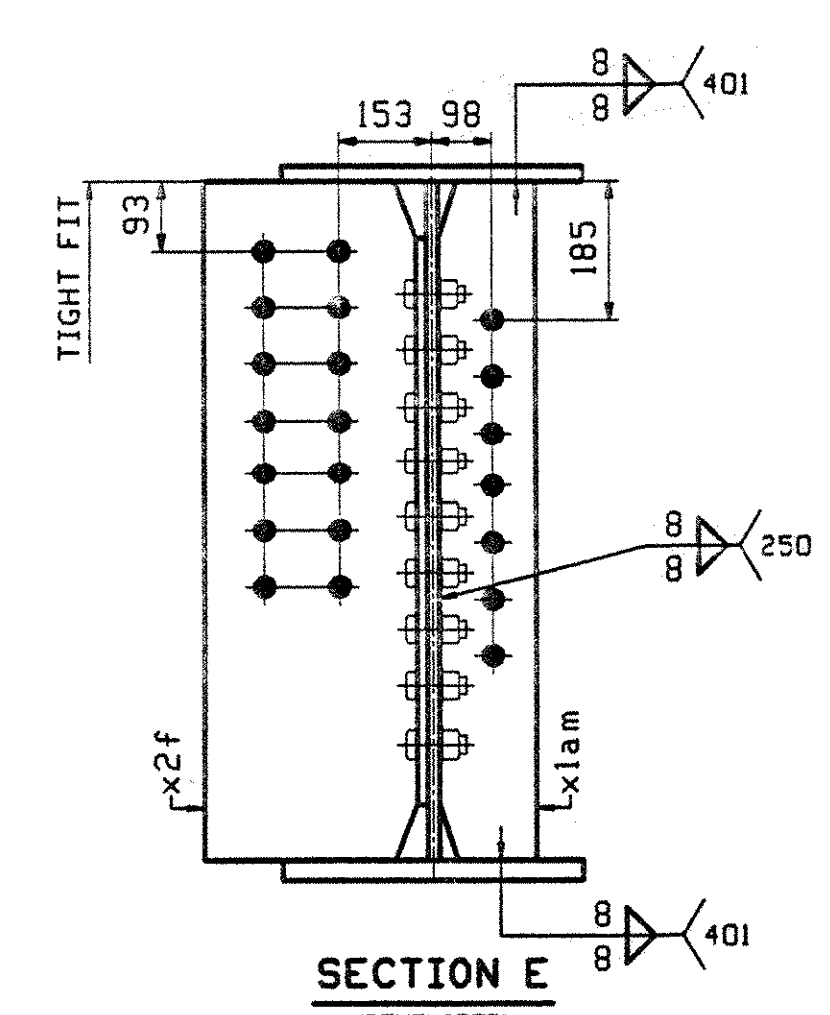
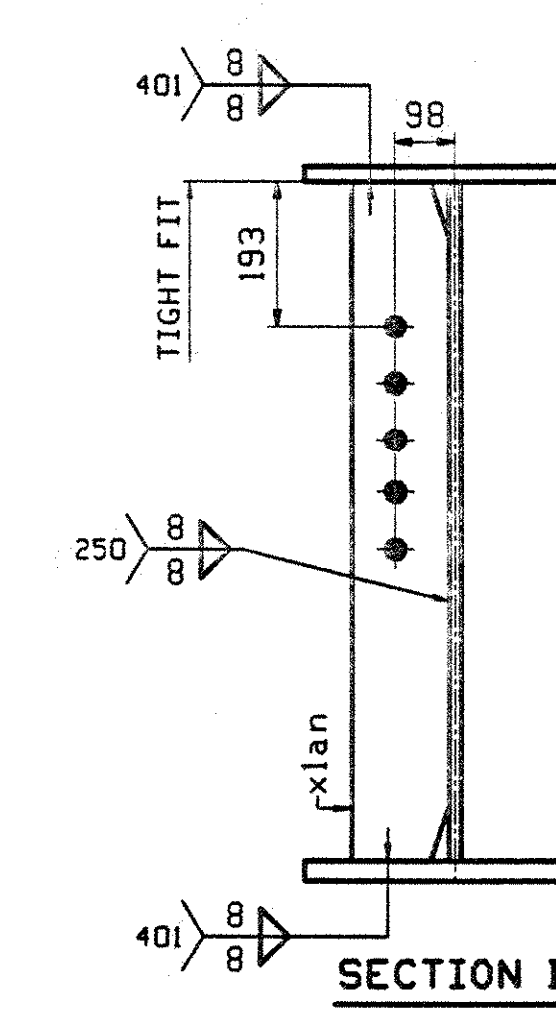
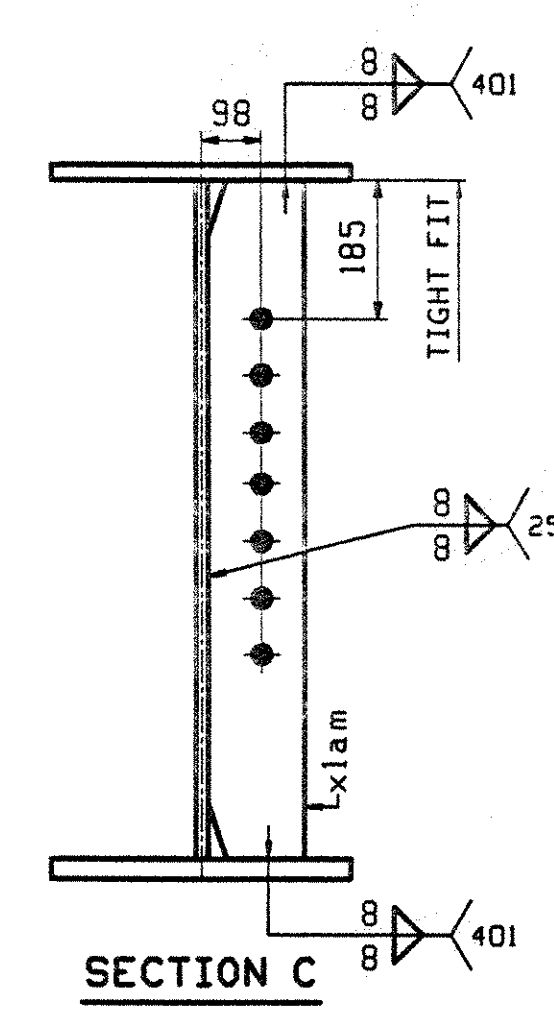
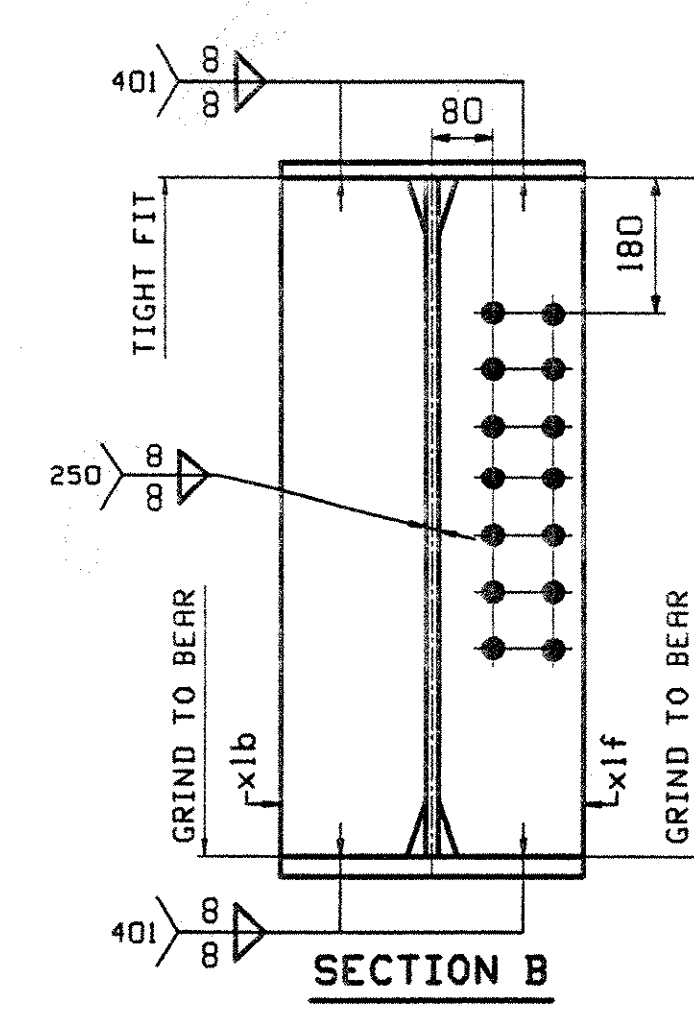
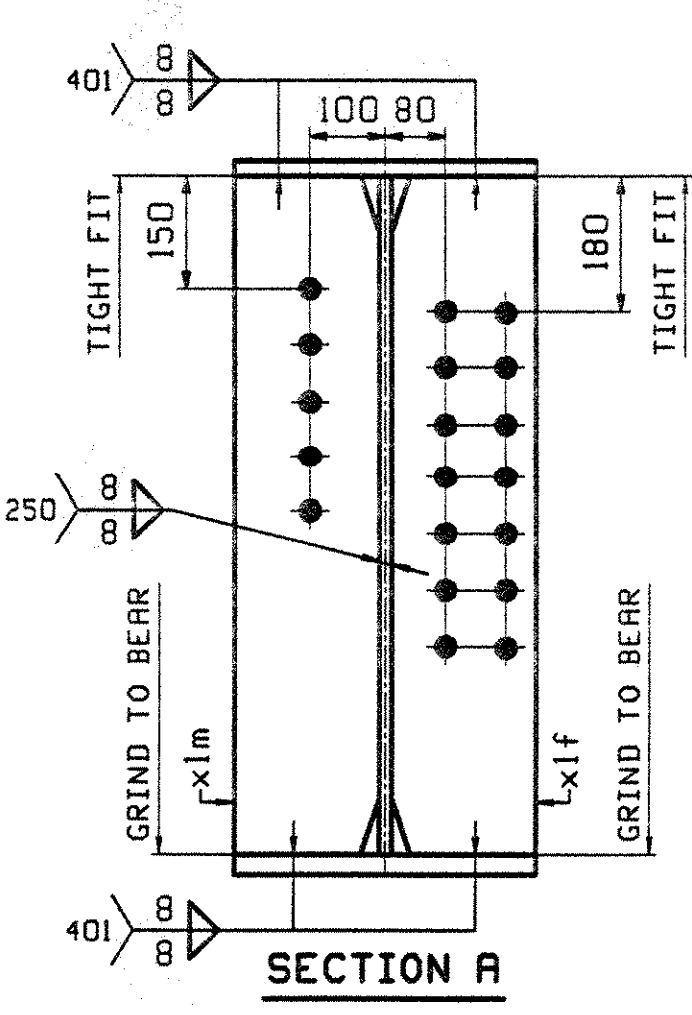
ONE - GIRDER - 9G9

FOR GIRDER STANDARD DETAILS SEE DRAWING XI.
 FOR CAMBER DIAGRAM SEE DRAWING CI.
 FOR GENERAL NOTES SEE DRAWING GNI.
 H2-3 DENOTES MATERIAL SUBJECT TO CHARPY V-NOTCH TESTING.

NOTE "A"
 BOTTOM FLANGE SHALL BE TRULY AT A RIGHT ANGLE TO THE WEB FOR A LENGTH AS NOTED ON EITHER SIDE OF BEARING.



CAMBER DIAGRAM
 SEE DWG CI



ABM INFO		SHIP		BILL OF MATERIAL				JOB NO.	DRAWING NO.	REV.
PAGE	LINE	MARK	QTY	MARK	MATERIAL	LENGTH	REMARKS	WT	PROCUREMENT	
						m			NOTES	
					GIRDER				5124 kg 1288 lb	
1	Y		1	wa	PL 16x966	18 953	(H270M-345H12)	(H2-3)		
2	J		1	ta	PL 22x400	18 946				
1	L		1	ba	PL 22x400	18 933	(H270M-345H12)	(H2-3)		
3	B		1	x1m	PL 18x192	0 900	MIF			
3	B		2	x1f	PL 18x192	0 900	MIF			
2	C		1	x1an	PL 14x130	0 900				
3	H		1	x2f	PL 14x304	0 509	SEWT			
3	C		3	x1am	PL 14x130	0 900				
3	B		1	x1b	PL 18x192	0 900	MIF			
3	L		1	x1at	PL 6x75	0 273				
5	B		18		7/8 HSB	0 2 1/2	(H325-3)			
5	F		18		7/8 HSM		(F438M)			

OUT FOR APPROVAL	4/14/03								
OUT FOR APPROVAL									
ISSUED TO SHOP									
FIELD & OFFICE									

REV.	REMARKS	DATE	DWN	CHK	APP	Q.A.	NO.	DIA.	LGT	TYPE	WASHER
	MATERIAL:										
	ELECTRODES:										
	HOLES:										
	SHOP BOLTS:										
	M270M-345W										
	24mm (15/16")										

SURFACE PREP. & PAINT:												
-ALL STEEL SHALL BE BLAST CLEANED AND LEFT UNPAINTED.												
DESCRIPTION: GIRDER - 8G8										DRAWN BY		DATE
JOB: US 5 OVER WHETSTONE BROOK										JT B		03/20
BRIDGE NO. 7										CHKD BY		
BRATTLEBORO, VERMONT (WINDHAM COUNTY)										EPE		04/07
CONTRACTOR: RENAUD BROTHERS										APPROV BY		
PROJ NO. BHF 2000(17)										SUPERVISOR		W. J. GATTI
CUSTOMER: VERMONT AGENCY OF TRANSPORTATION										Q.A.		
CASCO BAY STEEL STRUCTURES, INC.										JOB NO.		099
75 SPRING HILL ROAD										DRG. NO.		194
SACO, MAINE 04072										REV.		9
PHONE (207) 282-7360										FAX.		(207) 282-1179

V.A.O.T.
 RECEIVED
 OK'D BY S.S.S. 4/21/03
 APR 15 2003
 RESUBMIT APPROVED
 BY DATE