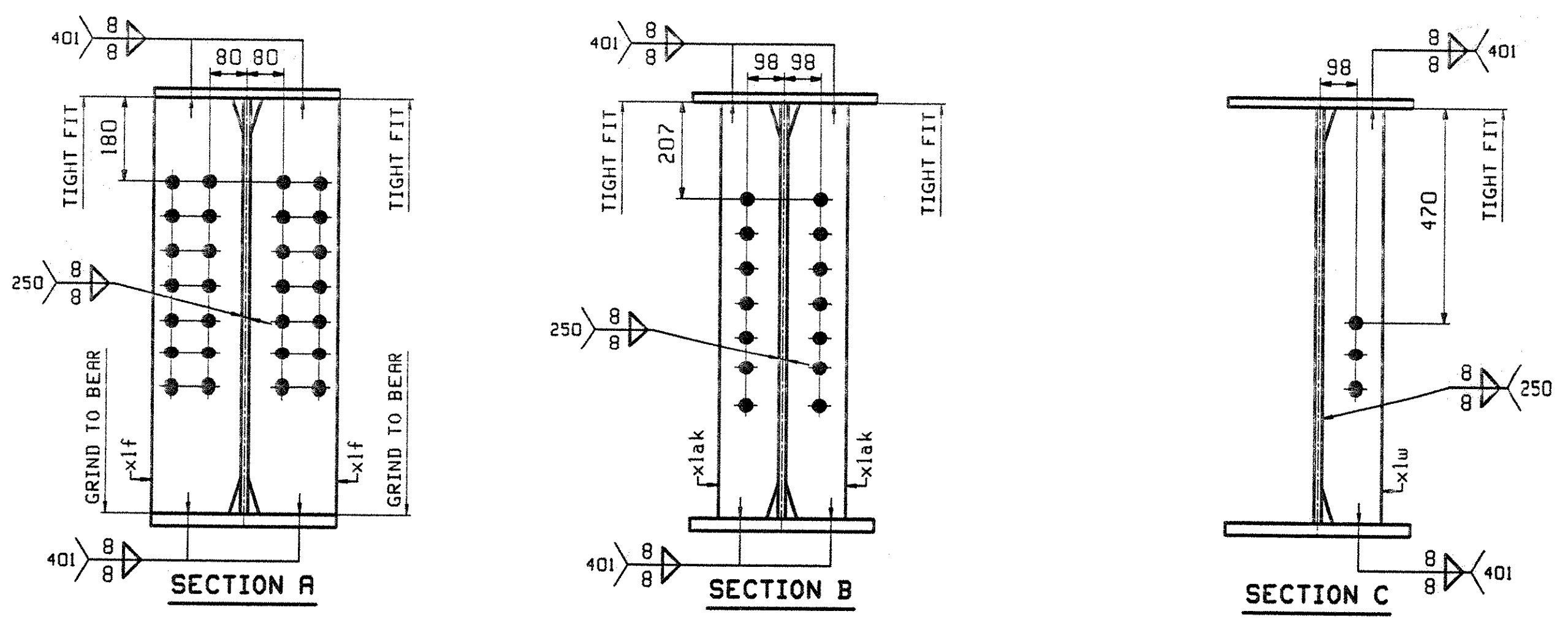
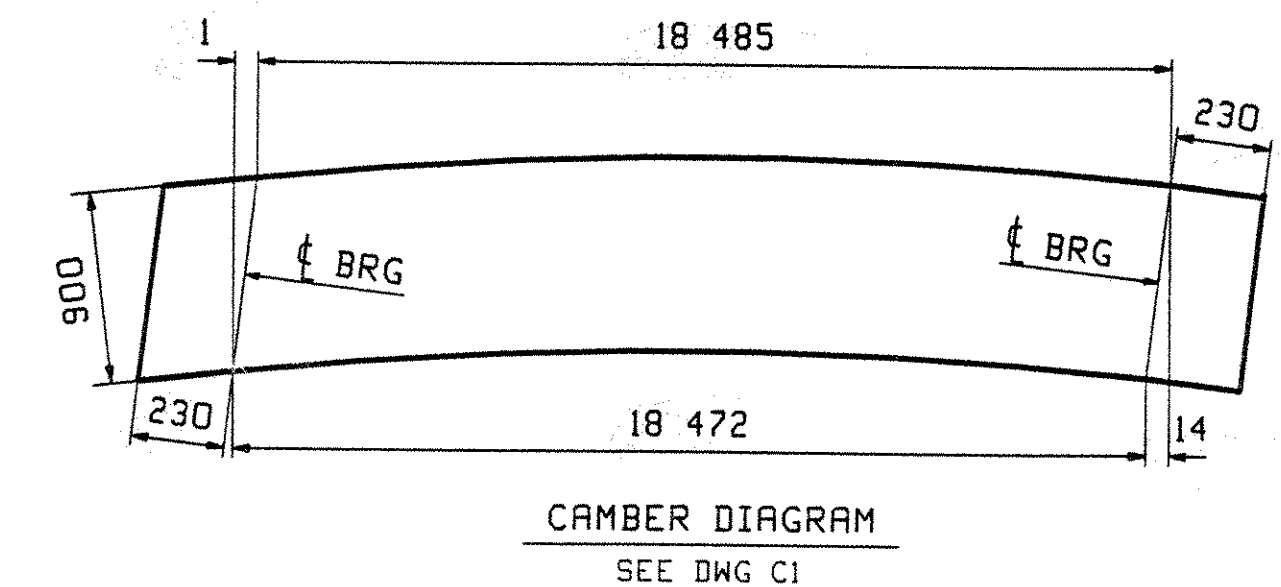


ONE - GIRDER - 6G6

FOR GIRDER STANDARD DETAILS SEE DRAWING XI.
 FOR CAMBER DIAGRAM SEE DRAWING CI.
 FOR GENERAL NOTES SEE DRAWING GNI.
 H2-3 DENOTES MATERIAL SUBJECT TO CHARPY V-NOTCH TESTING.

NOTE "A"
 BOTTOM FLANGE SHALL BE TRULY AT A RIGHT ANGLE TO THE WEB FOR A LENGTH AS NOTED ON EITHER SIDE OF BEARING.

BILL OF MATERIAL				JOB NO.	DRAWING NO.	REV.			
PAGE	LINE	MARK	QTY	MARK	MATERIAL	LENGTH	REMARKS	WT	PROCUREMENT NOTES
						m			
		6G6	1		GIRDER				3103 kg 11250 lbs
1	Y		1	wa	PL 16x966	18 946	(M270M-345W(2))	(H2-3)	
2	J		1	ta	PL 22x400	18 945			
1	L		1	ba	PL 22x400	18 922	(M270M-345W(2))	(H2-3)	
3	B		4	xlf	PL 18x192	01 900		MIF	
3	C		6	xlak	PL 14x130	01 900			
1	C		1	xlw	PL 14x130	01 900			



OUT FOR APPROVAL	4/14/03								
OUT FOR APPROVAL									
ISSUED TO SHOP									
FIELD & OFFICE									

REV.	REMARKS	DATE	DWN	CHK	APP	Q.A.	NO.	DIA.	LGT	TYPE	WASHER
	MATERIAL:										
	M270M-345W										
	ELECTRODES:										
	HOLES:										
	24mm (15/16")										
	SHOP BOLTS:										

SURFACE PREP. & PAINT:			
-ALL STEEL SHALL BE BLAST CLEANED AND LEFT UNPAINTED.			
DESCRIPTION:	GIRDER - 6G6	DRAWN BY	DATE
JOB:	US 5 OVER WHESTONE BROOK	JTB	03/20
	BRIDGE NO. 7	CHKD BY	
	BRATTLEBORO, VERMONT (WINDHAM COUNTY)	EPE	04/07
	CONTRACTOR: RENAUD BROTHERS	APPROV BY	
		SUPERVISOR	M. J. GATTI
PROJ NO.	BHF 2000(17)	Q.A.	
CUSTOMER:	VERMONT AGENCY OF TRANSPORTATION		096
CASCO BAY STEEL STRUCTURES, INC.		JOB NO.	DRG. NO.
75 SPRING HILL ROAD	SACO, MAINE 04072	194	6
PHONE (207) 282-7360	FAX. (207) 282-1179	REV.	△

V.A.O.T.
 RECEIVED
 OK'D BY S.S.S. 4/15/03
 APR 15 2003
 RESUBMIT _____ APPROVED _____ X
 BY _____ DATE _____