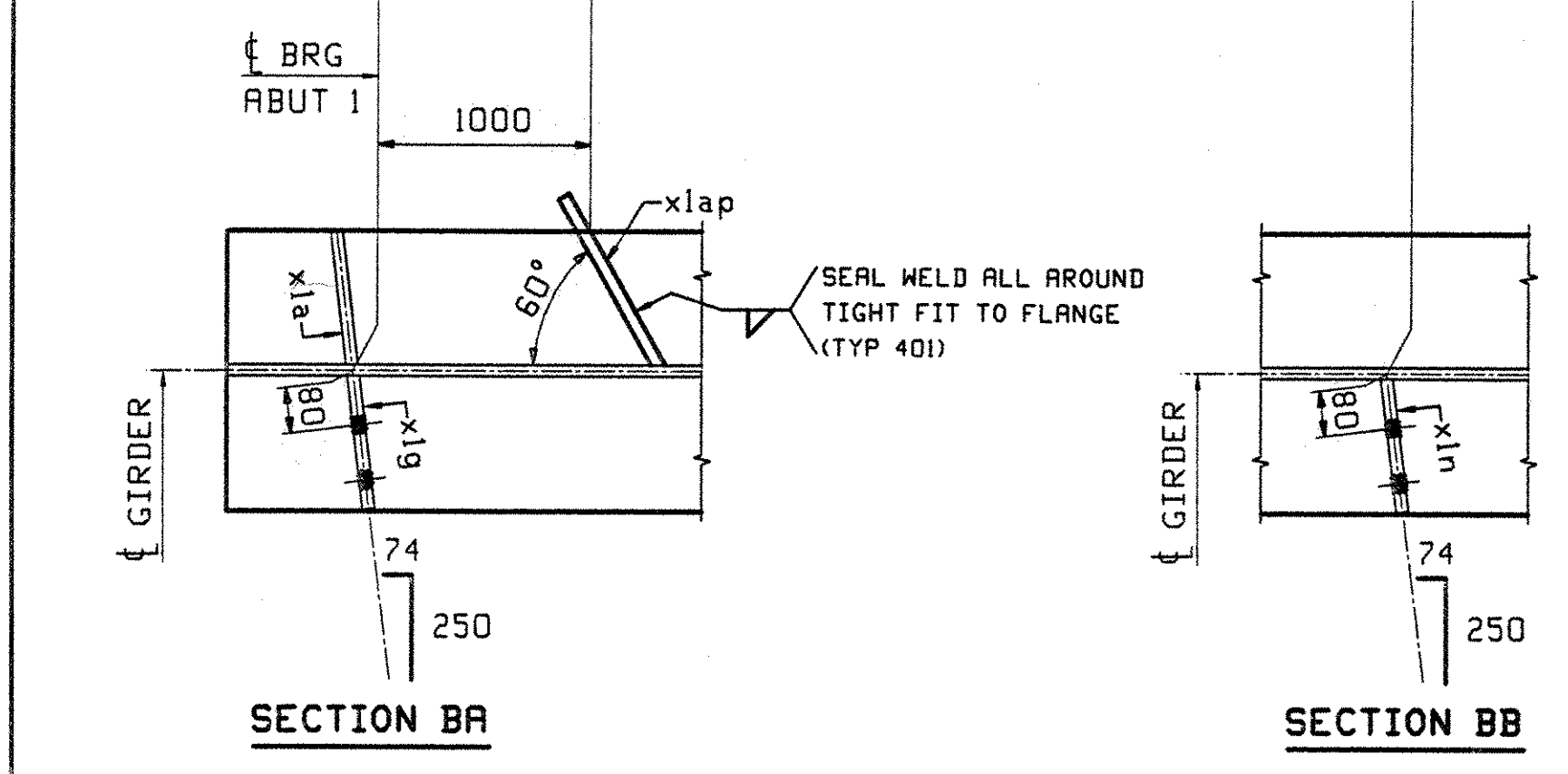


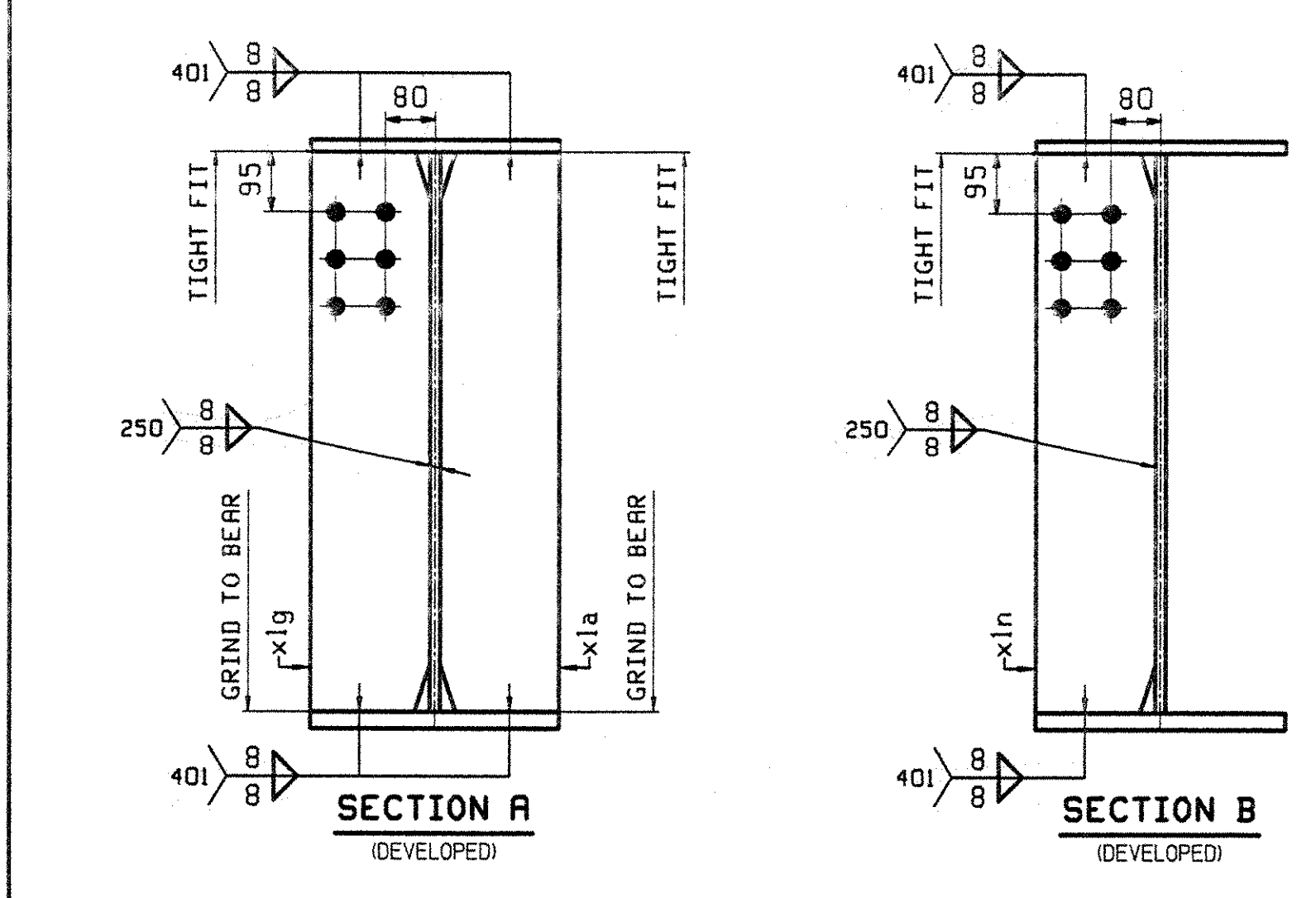
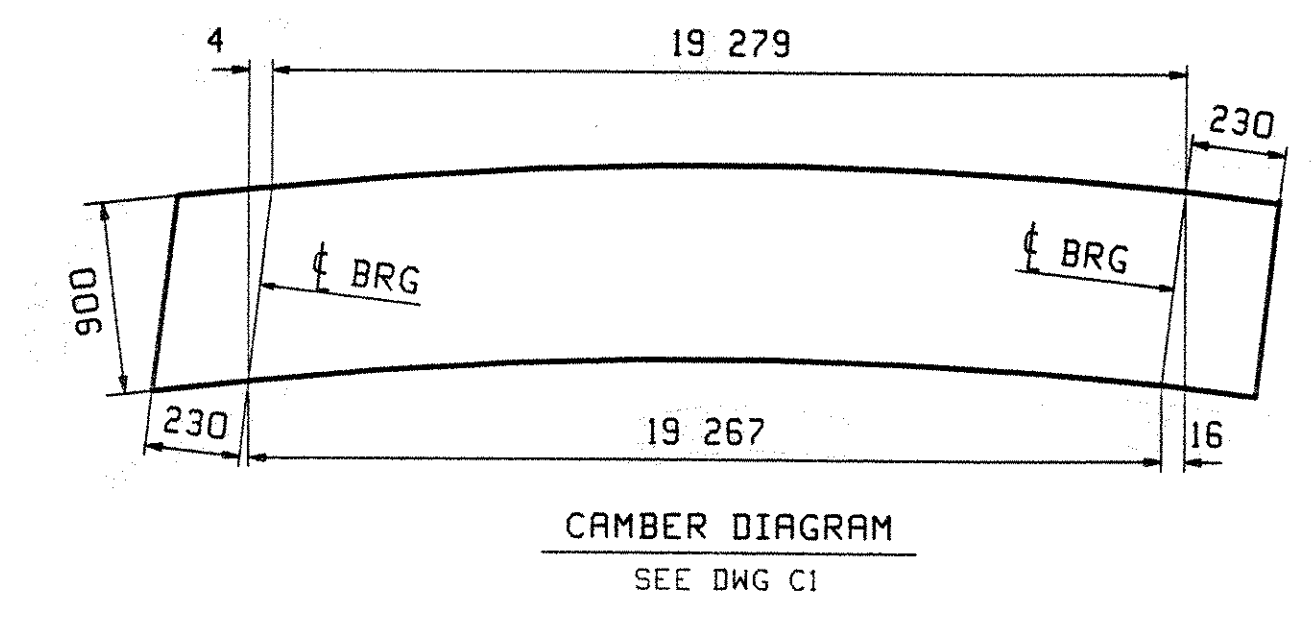
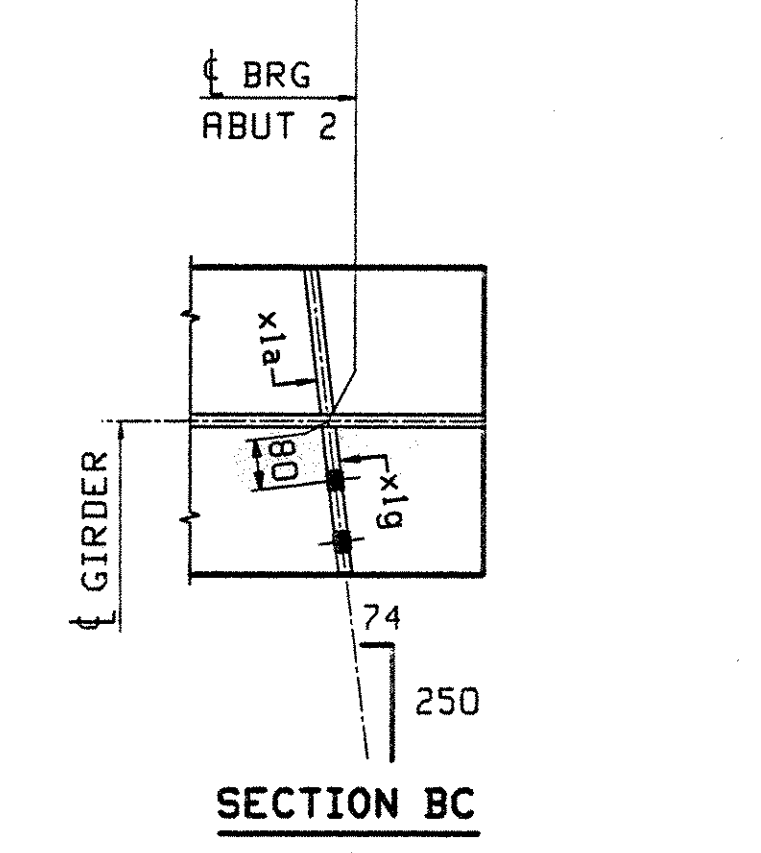
ABM INFO		SHIP				BILL OF MATERIAL		JOB NO.	DRAWING NO.	REV.
PAGE	LINE	MARK	QTY	MARK	MATERIAL	LENGTH	REMARKS	WT	PROCUREMENT	NOTES
		IG1	1		GIRDER				5294 lb 11621 lb	
1	Q		1	ua	PL 16x966	19 743	(M270M-345WT)		(HR-3)	
2	A		1	ta	PL 22x400	19 739				
1	C		1	ba	PL 22x400	19 727	(M270M-345WT)		(HR-3)	
3	B		2	xlg	PL 18x192	0 900	MIF			
3	B		2	xia	PL 18x192	0 900	MIF			
3	B		3	xin	PL 18x192	0 900				
3	L		1	xlap	PL 6x75	0 273				



ONE - GIRDER - IG1

FOR GIRDER STANDARD DETAILS SEE DRAWING XI.
 FOR CAMBER DIAGRAM SEE DRAWING C1.
 FOR GENERAL NOTES SEE DRAWING GNL.
 H2-3 DENOTES MATERIAL SUBJECT TO CHARPY V-NOTCH TESTING.

NOTE "A"
 BOTTOM FLANGE SHALL BE TRULY AT A RIGHT ANGLE TO THE
 WEB FOR A LENGTH AS NOTED ON EITHER SIDE OF BEARING.



OUT FOR APPROVAL	4/4/03										
OUT FOR APPROVAL											
ISSUED TO SHOP											
FIELD & OFFICE											
REV.	REMARKS	DATE	DWN	CHK	APP	Q.A.	NO.	DIA.	LGT	TYPE	WASHER
MATERIAL:	ELECTRODES:	HOLES:		SHOP BOLTS:							
M270M-345W		24mm (15")Ø									
SURFACE PREP. & PAINT:											
-ALL STEEL SHALL BE BLAST CLEANED AND LEFT UNPAINTED.											
DESCRIPTION: GIRDER - IG1								DRAWN BY		DATE	
JOB: US 5 OVER WHETSTONE BROOK								JT B		03/20	
BRIDGE NO. 7								CHKD BY			
BRATTLEBORO, VERMONT (WINDHAM COUNTY)								EPE		04/07	
CONTRACTOR: RENAUD BROTHERS								APPROV BY			
PROJ NO. BHF 2000(17)								SUPERVISOR		W. J. GATTI	
CUSTOMER: VERMONT AGENCY OF TRANSPORTATION								Q.A.			
CASCO BAY STEEL STRUCTURES, INC.								JOB NO.		091	
75 SPRING HILL ROAD								SACO, MAINE 04072		194	
PHONE (207) 282-7360								FAX (207) 282-1179		1	
								REV.		△	

V.A.O.T.
 RECEIVED
 OK'D BY: SSS OK'D BY: JMB
 4/17/03 APR 15 2003
 RESUBMIT: _____ APPROVED: X
 BY: _____ DATE: _____