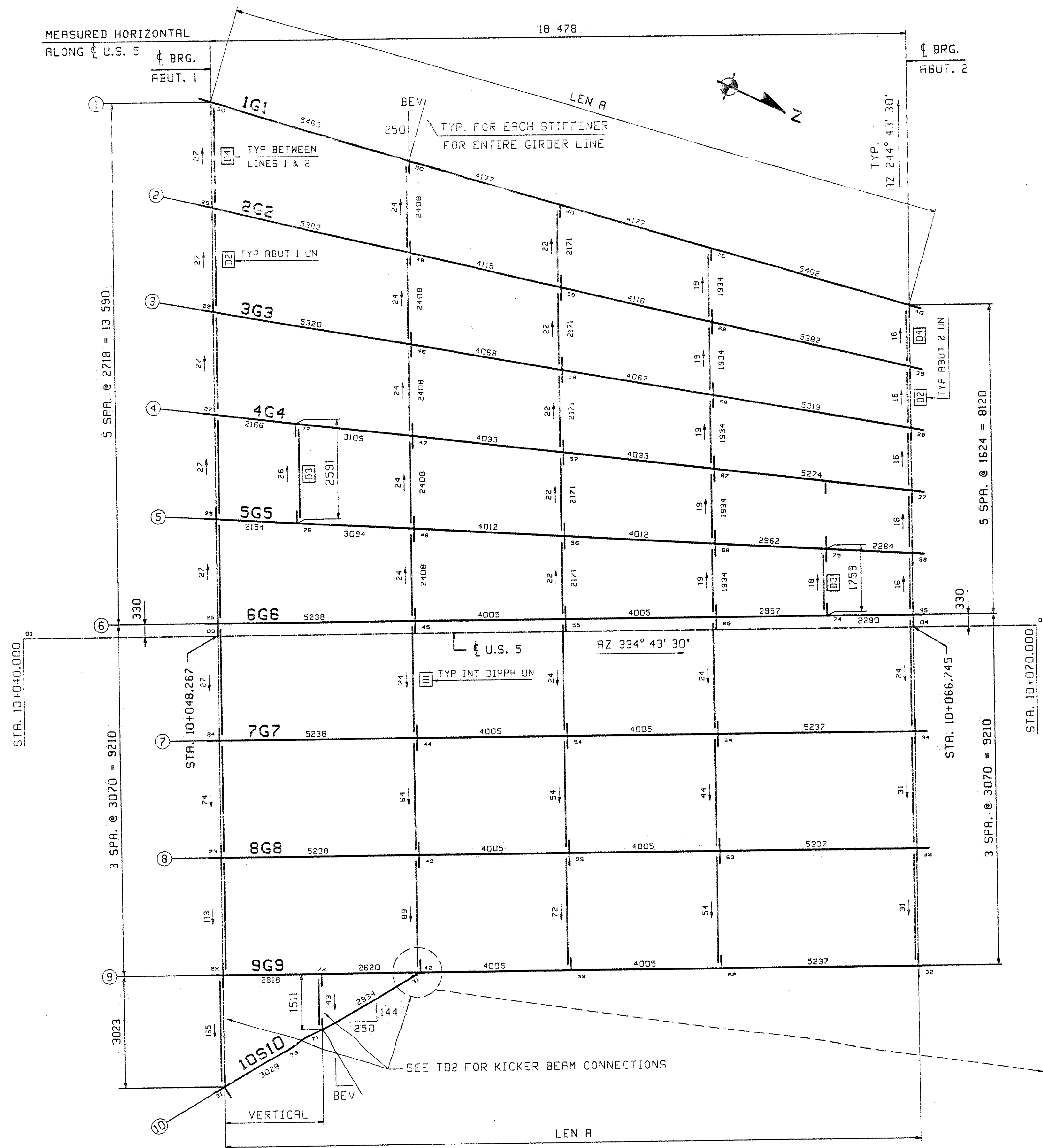


MEASURED HORIZONTAL
ALONG U.S. 5
ABUT. 1

18 478

ABUT. 2



FRAMING PLAN

Line	LEN A	GRADES		
		ABUT. 1	ABUT. 2	BEV
1	18 279	.0158	.0061	74
2	18 996	.0154	.0056	59
3	18 774	.0150	.0051	44
4	18 615	.0146	.0045	30
5	18 518	.0141	.0040	15
6	18 485	.0135	.0034	0
7	18 485	.0142	.0037	0
8	18 485	.0160	.0059	0
9	18 486	.0204	.0103	0
10	5963	.0593	.0487	144

**** NOTE ****
THE PURPOSE OF THIS DRAWING IS TO COORDINATE GEOMETRIC CONTROL INFORMATION. THIS DWG IS SUBMITTED FOR INFORMATION ONLY AND IS NOT INTENDED FOR SHOP FABRICATION.

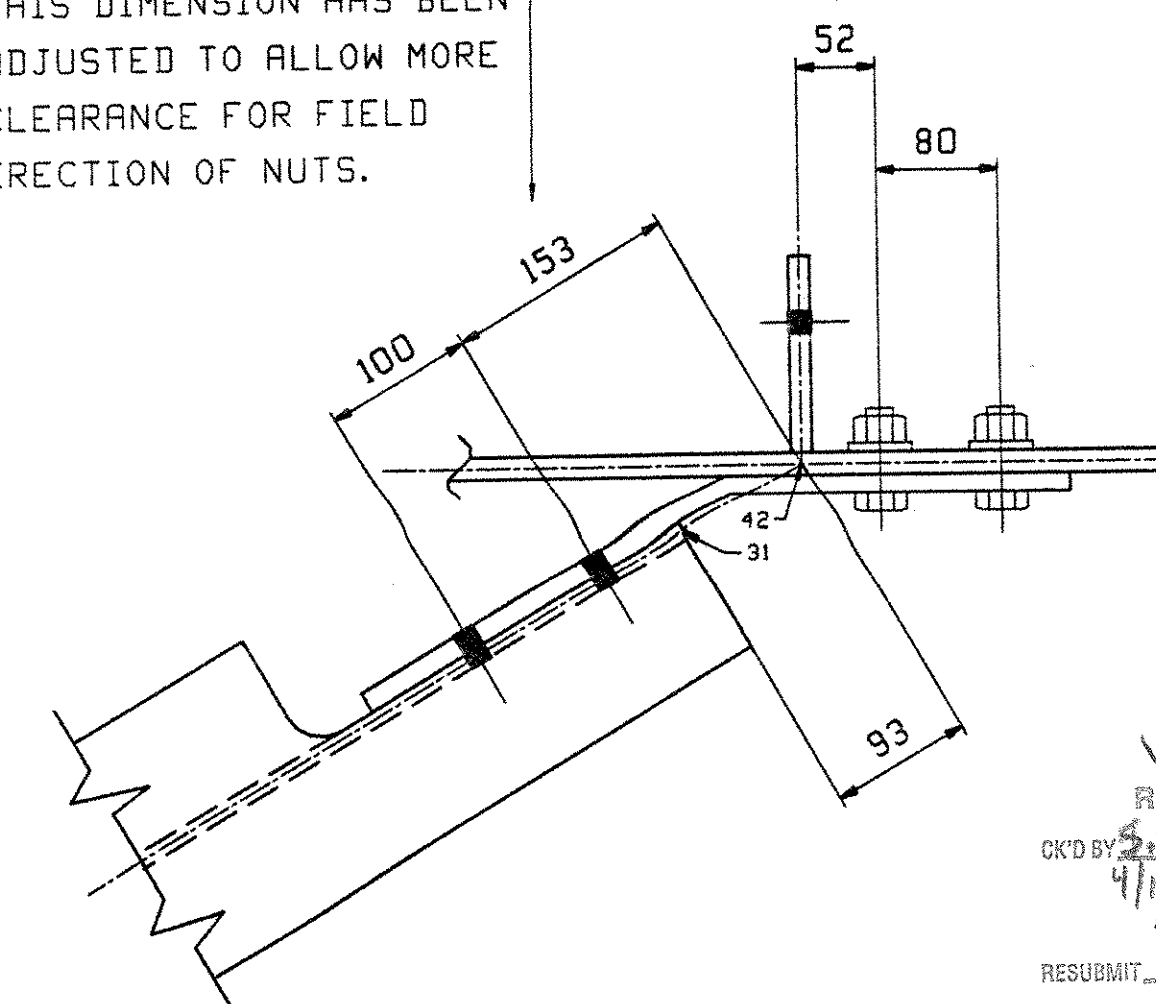
- NOTES
1. LONGITUDINAL DIMENSIONS ARE SLOPING ALONG TOP OF WEB WITH CORRECTIONS MADE FOR VERTICAL CURVE, GRADE & DL CAMBER (UN).
 2. TRANSVERSE DIMENSIONS ARE IN A HORIZONTAL PLANE (UN).
 3. ARROW POINTS TOWARDS LOW END OF MEMBER.
 4. ENDS OF GIRDERS AND BRG STIFFS ARE VERTICAL AFTER DL ROTATION.
 5. DIAPH. STIFF ARE NORMAL TO GRADE U.N.
 6. BOTT PT NUMBERS = TOP PT NUMBERS + 100
 7. FOR LAYOUTS SEE DWG TD1 & TD2.
 8. COMBINE DIAPHRAGMS FOR DIFF IN DROPS OF +/- 3mm.
 9. DIAPHRAGM DROPS ARE CALCULATED IN THEIR FINAL POSITION.

DETAILER NOTE !!

THIS DIMENSION IS TRUE ONLY AT TOP OF WEB AS KICKER BEAM CONNECTION IS VERTICAL WHILE WEB STIFFENER CONNECTION IS NORMAL TO GRADE.

DETAILER NOTE !!

THIS DIMENSION HAS BEEN ADJUSTED TO ALLOW MORE CLEARANCE FOR FIELD ERECTION OF NUTS.



V.A.O.T.
RECEIVED
APR 15 2003

OUT FOR APPROVAL	4-14-03																		
ISSUED TO SHOP																			
FIELD & OFFICE																			
REV.	REMARKS	DATE	DWN	CHK	APP	Q.A.	NO.	DIA.	LGT	TYPE	WASHER								
	MATERIAL:																		
	M270M-345W																		
	ELECTRODES:																		
	HOLES:																		
	24mm (15/16")Ø																		
	SHOP BOLTS:																		
	SURFACE PREP. & PAINT:																		
	-ALL STEEL SHALL BE BLAST CLEANED AND LEFT UNPAINTED.																		
DESCRIPTION:	CALCULATION PLAN																		
JOB:	US 5 OVER WHETSTONE BROOK																		
	BRIDGE NO. 7																		
	BATTLEBORO, VERMONT (WINDHAM COUNTY)																		
	CONTRACTOR: RENAUD BROTHERS																		
PROJ NO.	BHF 2000(17)																		
CUSTOMER:	VERMONT AGENCY OF TRANSPORTATION																		
	CASCO BAY STEEL STRUCTURES, INC.																		
	75 SPRING HILL ROAD																		
	PHONE (207) 282-7360																		
	SACO, MAINE 04072																		
	FAX. (207) 282-1179																		
	JAK																		
	CHKD BY																		
	APPROV BY																		
	SUPERVISOR																		
	W. J. GATTI																		
JOB NO.	084																		
DRG. NO.	194																		
REV.	WS1																		