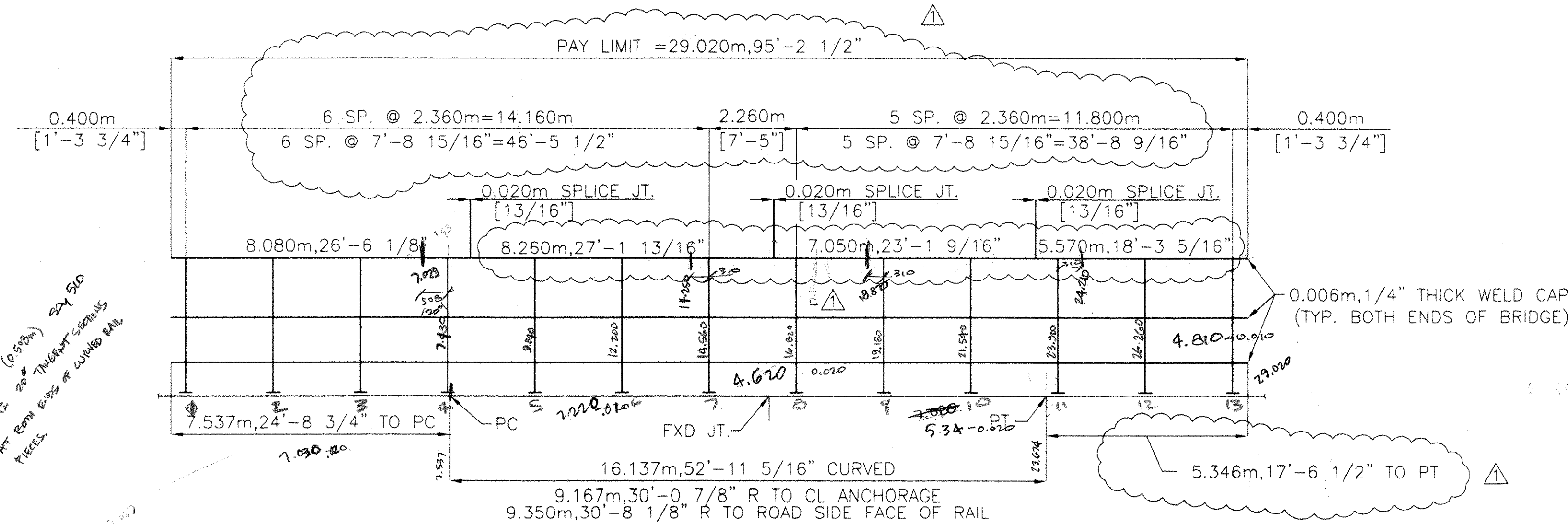
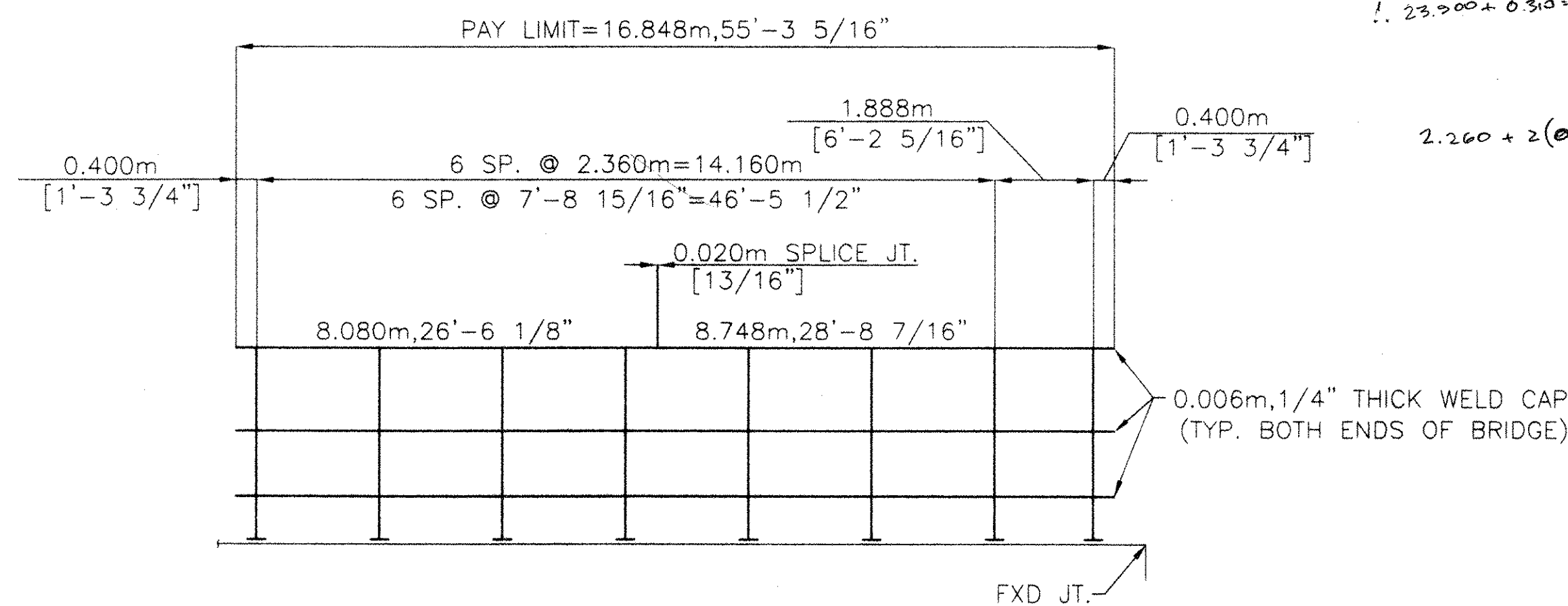


PLAN VIEW OF EAST FASCIA



DEVELOPED EAST ELEV. VIEW LOOKING EAST



WEST ELEV. VIEW LOOKING EAST

BILL OF MATERIAL										
KG EACH	LBS. EACH	SHAPE (METRIC)	LENGTH METERS U.N.O.	MARK OR USE	QTY.	SHAPE (AMERICAN)	SHAPE		REMARKS	
							FT.	IN.		
159.3	351.3	T.S. 101.6mmx101.6mmx6.4mmx8.742m	8.748	RAIL	2	T.S. 4"x4"x1/4"x28'-8 3/16"	28	8 7/16	A500 GR B W/PL1/4"x3 15/16"x3 15/16" A36(M)	
149.0	328.5	T.S. 101.6mmx101.6mmx6.4mm	8.260	RAIL	2	T.S. 4"x4"x1/4" WALL	27	1 3/16	A500 GR B 30'-8 1/8" R	
147.2	324.6	T.S. 101.6mmx101.6mmx6.4mmx8.074m	8.080	RAIL	2	T.S. 4"x4"x1/4"x26'-5 7/8"	26	6 1/8	A500 GR B W/PL1/4"x3 15/16"x3 15/16" A36(M)	
147.2	324.6	T.S. 101.6mmx101.6mmx6.4mmx8.074m	8.080	RAIL	2	T.S. 4"x4"x1/4"x26'-5 7/8"	26	6 1/8	A500 GR B W/PL1/4"x3 15/16"x3 15/16" A36(M)	
128.3	282.8	T.S. 101.6mmx101.6mmx6.4mm	7.050	RAIL	2	T.S. 4"x4"x1/4" WALL	23	1 9/16	A500 GR B 30'-8 1/8" R	
104.3	230.0	T.S. 101.6mmx101.6mmx6.4mmx5.564m	5.570	RAIL	2	T.S. 4"x4"x1/4"x18'-3 1/16"	18	3 5/16	A500 GR B W/PL1/4"x3 15/16"x3 15/16" A36(M)	
5.6	12.3	T.S. 76.2mmx76.2mmx6.4mm	.420	FIXED SPLICE	8	T.S. 3"x3"x1/4" WALL	1	4 9/16	A500 GR B W/2-5/8" H.S. NUTS	
.05	.1	M16# HEX BOLT	.038	SPLICE BOLT	32	5/8" HEX BOLT		1 1/2	A325-1 W/FW(F568M CL. 8.8.1)	
89.6	197.6	T.S. 101.6mmx50.8mmx4.8mmx8.742m	8.748	RAIL	1	T.S. 4"x2"x3/16"x28'-8 3/16"	28	8 7/16	A500 GR B W/PL1/4"x1 15/16"x3 15/16" A36(M)	
83.8	184.8	T.S. 101.6mmx50.8mmx4.8mm	8.260	RAIL	1	T.S. 4"x2"x3/16" WALL	27	1 3/16	A500 GR B 30'-8 1/8" R	
82.7	182.4	T.S. 101.6mmx50.8mmx4.8mmx8.074m	8.080	RAIL	1	T.S. 4"x2"x3/16"x26'-5 7/8"	26	6 1/8	A500 GR B W/PL1/4"x1 15/16"x3 15/16" A36(M)	
82.7	182.4	T.S. 101.6mmx50.8mmx4.8mmx8.074m	8.080	RAIL	1	T.S. 4"x2"x3/16"x26'-5 7/8"	26	6 1/8	A500 GR B W/PL1/4"x1 15/16"x3 15/16" A36(M)	
72.2	159.1	T.S. 101.6mmx50.8mmx4.8mm	7.050	RAIL	1	T.S. 4"x2"x3/16" WALL	23	1 9/16	A500 GR B 30'-8 1/8" R	
58.6	129.3	T.S. 101.6mmx50.8mmx4.8mmx5.564m	5.570	RAIL	1	T.S. 4"x2"x3/16"x18'-3 1/16"	18	3 5/16	A500 GR B W/PL1/4"x1 15/16"x3 15/16" A36(M)	
3.2	7.0	T.S. 76.2mmx38.1mmx4.8mm	.420	FIXED SPLICE	4	T.S. 3"x1 1/2"x3/16" WALL	1	4 9/16	A500 GR B W/2-5/8" H.S. NUTS	
.05	.1	M16# HEX BOLT	.038	SPLICE BOLT	16	5/8" HEX BOLT		1 1/2	A325-1 W/FW(F568M CL. 8.8.1)	
.5	1.0	M20# ROUND HEAD SLOTTED BOLT	.152	RAIL POST BOLT	126	3/4" ROUND HEAD SLOTTED BOLT	6		A325-1 W/ FW&PREVALING TORQUE NUT (F568M CL. 8.8.1)	
43.8	96.6	W150X37.1X.693m	.718	POST	21	W6X25X2-3 5/16"	2	4 1/4	A572 GR 50 (345)W/PL1"x10"x 14"	
5.9	13.0	PL 10mmX.240m	.330	SPACER PLATE	21	PL3/8"x9 7/16"	1	1	A36(M)	
1.6	3.5	M24# FULLY THREADED	.305	ANCHOR STUD	84	1" FULLY THREADED	1	0	A449 W/3N,2FW(F568M CL. 8.8)	

23.674 + 0.508 = 24.182

24.182 - 23.700 = 0.282 @ 310 UG

! 23.700 + 0.310 = 24.210

2.260 + 2(0.310) = 2.880

FILE SET

NOTE: VERTICAL BENDING OF RAIL SHALL BE PERFORMED IN FIELD TO MEET REQUIRED CONTOUR.

RECEIVED  
 OK'D BY: *RLW* OK'D BY: \_\_\_\_\_  
 SEP 15 2003  
 RESUBMIT: \_\_\_\_\_ APPROVED: *RLW*  
 BY: *RLW* DATE: 9-17-03

ALL DIMENSIONS MUST BE FIELD VERIFIED PRIOR TO FABRICATION BY CONTRACTOR

PAY LIMIT FOR 3 RAIL = 45.868m, 150.4856 FT. (APPROX.)

DRAWN BY: THW	DATE: 7/23/03	CHECKED BY: DCK	SHEET NO. 1 OF 2
BRIDGE RAILING LAYOUT			
STATE OF VERMONT AGENCY OF TRANSPORTATION U.S. ROUTE 5 (BRIDGE #7) OVER WHETSTONE BROOK IN THE TOWN OF BRATTLEBORO IN THE COUNTY OF WINDHAM			
CONT. NO. BR02000(17)		PROJ. NO. BRATTLEBORO	
GEN. CONT. RENAUD BRO.			
ERECTOR: RIVERSIDE FAB., INC.			
FABRICATOR: DI HIGHWAY SIGN & STRUCTURE CORP. P.O. BOX 123, NEW YORK MILLS, N.Y. 13417			JOB NO. 076 6350-220

REVISED PER MARK-UP & PHONE CONV. WITH GASTON ROY ON 9/8/2003.