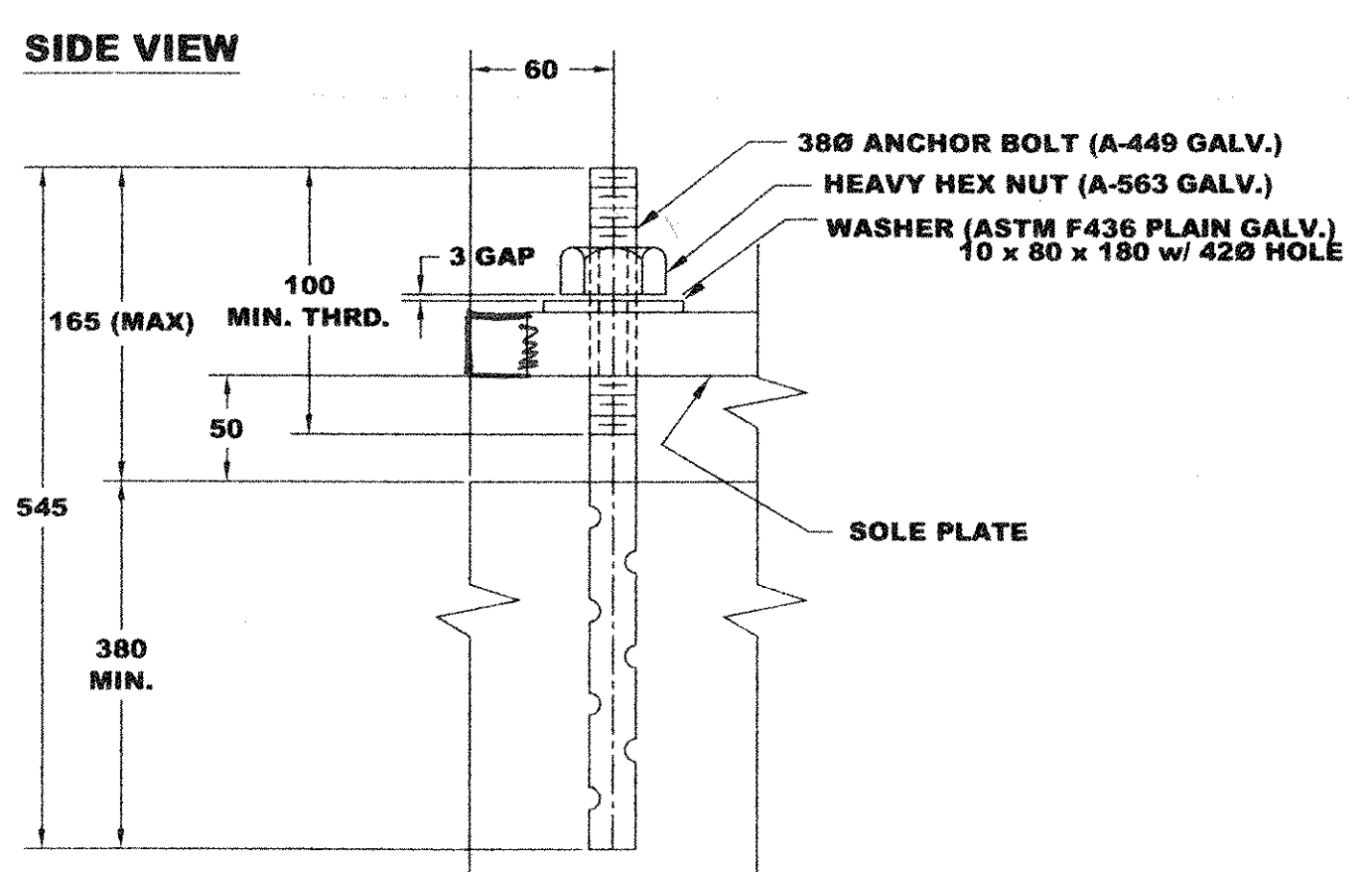
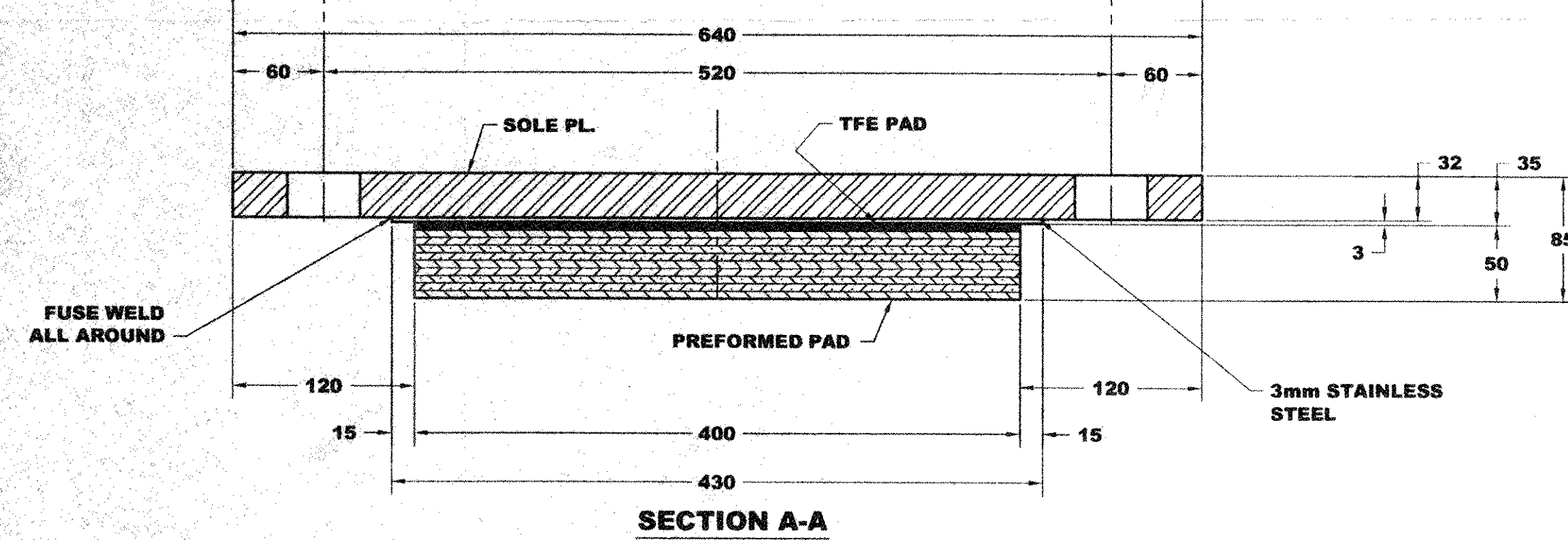
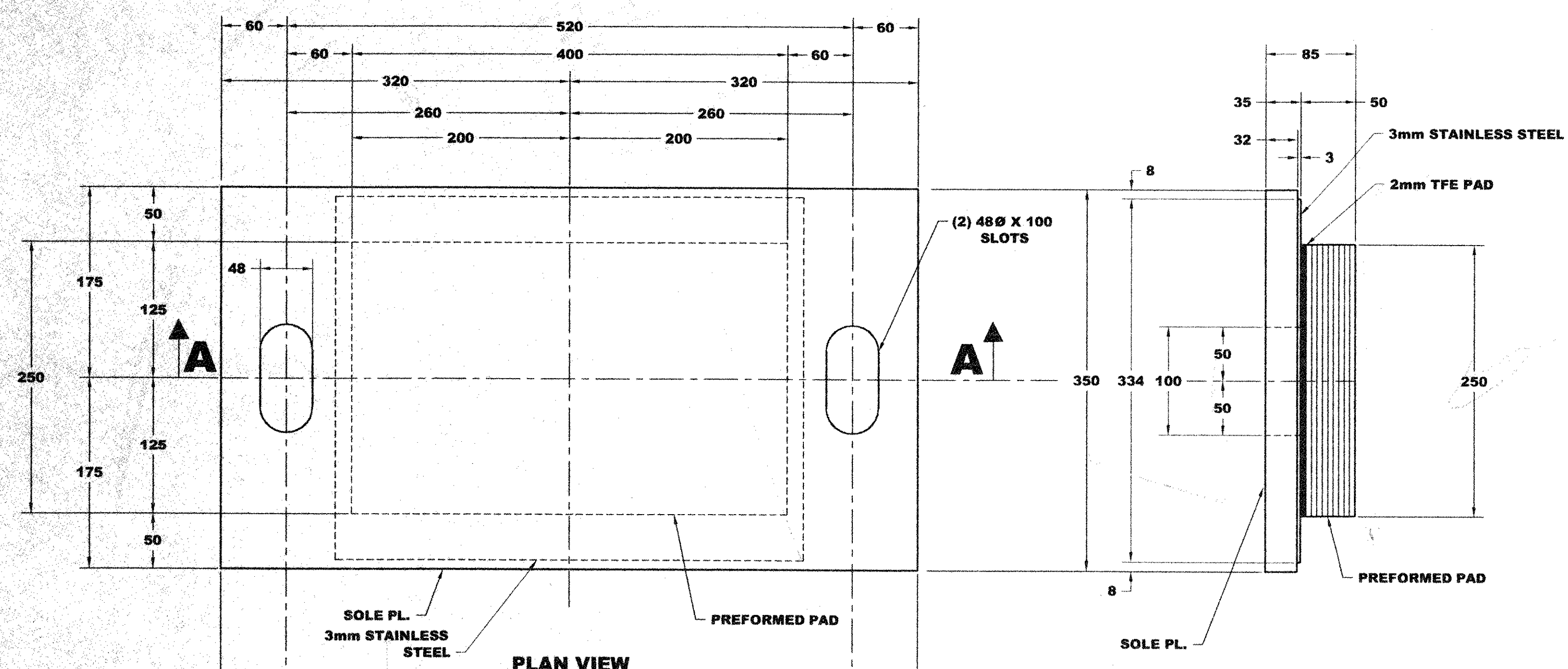


REVISION	BY	DESCRIPTION	C'K'D'	DATE



EXPANSION BEARING DETAIL- ABUTMENT NO. 2
(9 REQ'D)

ANCHOR BOLT DETAILS

- NOTES:
- BEARINGS TO BE MANUFACTURED ACCORDING TO AASHTO STANDARD SPECIFICATIONS FOR HIGHWAY BRIDGES, 16th EDITION, 1996 WITH CURRENT INTERIMS (1997 & 1998, SECTION #14.)
 - THE BEARINGS ARE DESIGNED SO THAT THE SUPERSTRUCTURE MAY BE ERECTED WHEN THE AMBIENT AIR TEMPERATURE IS WITHIN THE RANGE OF 4 DEG. C. TO 32 DEG. C.
 - ALL STEEL IN BEARINGS SHALL BE AASHTO M270/270M GRADE 250. U.N.D.
 - STAINLESS STEEL SHALL BE ^{ASTM A240} AASHTO TYPE 304.
 - ALL STEEL PRODUCED IN THE U.S.A.
 - CONTACT PETER SOMOGYI, COORDINATOR.
 - TOLERANCES: THICKNESS -0.1/8
PLAN -0.1/8
 - MANUFACTURING FACILITY LOCATION:
AMSCOT STRUCTURAL PRODUCTS INC.
241 EAST BLACKWELL STREET
DOVER, NJ 07801
 - ALL DIMENSIONS ARE IN METRIC.
 - ALL BEARING DEVICES SHALL BE GALVANIZED OR METALIZED AS PER STANDARD SPECIFICATIONS 506.15 AND 531.04(b), AS MODIFIED BY THE GENERAL SPECIAL PROVISIONS. IF THE BEARINGS ARE METALIZED, THEY SHALL BE SEALED WITH AN APPROVED SEALER AS SPECIFIED IN GENERAL SPECIAL PROVISION 506.15.
 - ALL ANCHOR BOLTS, NUTS AND WASHERS SHALL BE GALVANIZED.

Add some notes as sheet 1
plus "The surface finish of the contact (sliding) face shall have a mirror finish as per spec. 731.05."

VAOT RECEIVED
OK'D BY _____ OK'D BY _____
APR 24 2003
RESUBMIT _____ APPROVED *As Noted*
BY *PRW* DATE 5-2-03

BRIDGE NO. 7	PROJECT NO.: BHF 2000 (17)
EXPANSION BEARING DETAILS ABUTMENT NO. 2 US RT 5 (T.H.I.), TOWN OF BRATTLEBORO COUNTY OF WINDHAM	
PRIME CONTRACTOR: RENAUD BROS., INC.	SCALE = N.T.S.
FABRICATOR: AMSCOT STRUCTURAL PRODUCTS INC.	
DWG. NO.: R803A3R0	SHEET NO. 3 OF 3