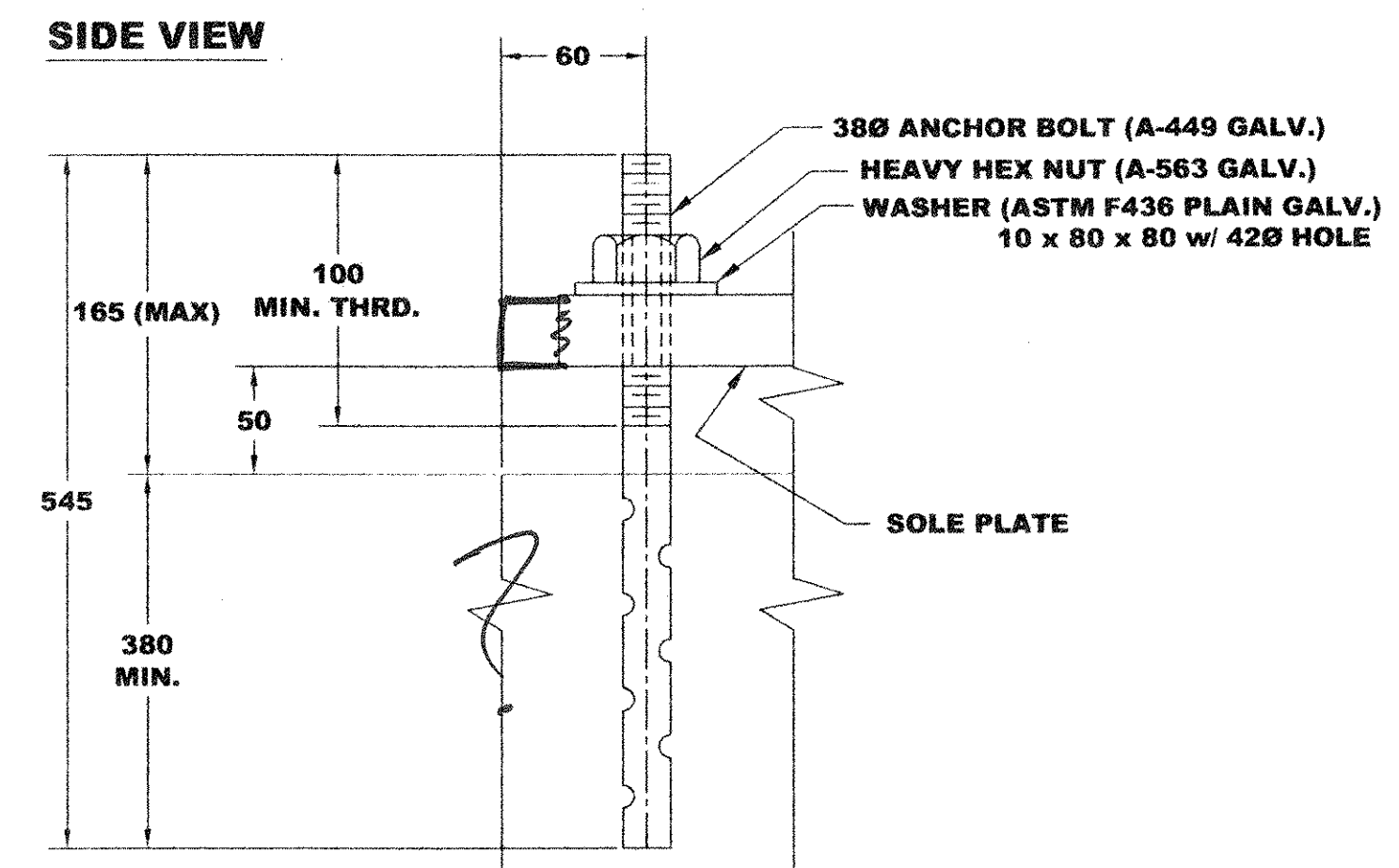
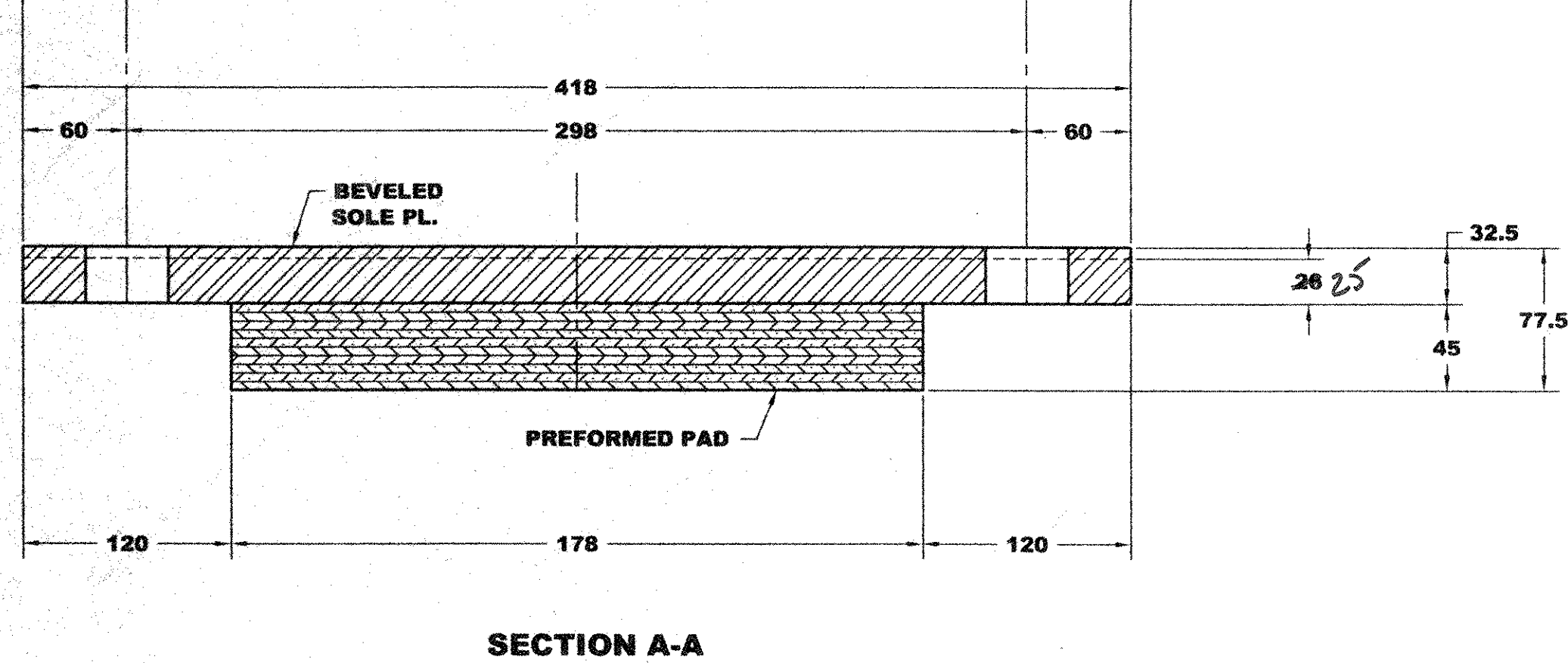
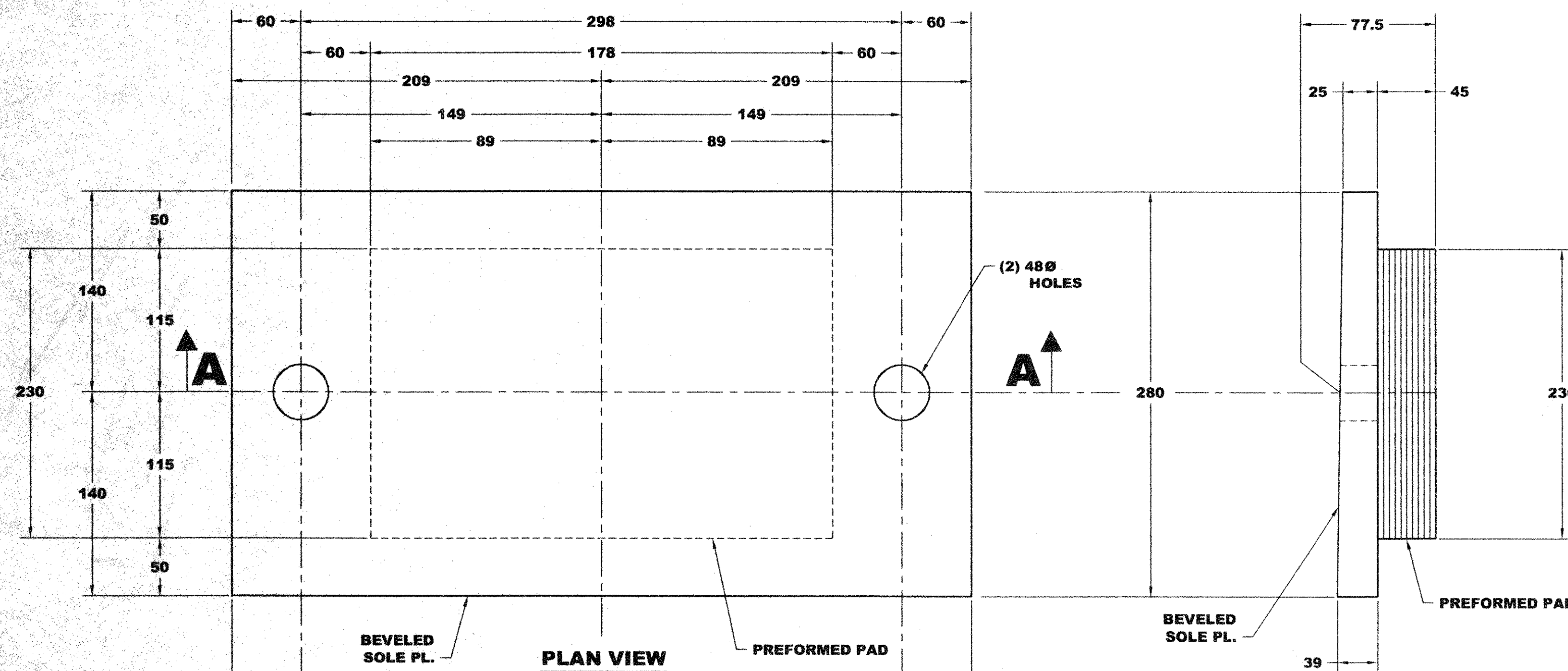


REVISION	BY	DESCRIPTION	C'K'D'	DATE



NOTES:

- BEARINGS TO BE MANUFACTURED ACCORDING TO AASHTO STANDARD SPECIFICATIONS FOR HIGHWAY BRIDGES, 16th. EDITION, 1996 WITH CURRENT INTERIMS (1997 & 1998, SECTION #14.)
- THE BEARINGS ARE DESIGNED SO THAT THE SUPERSTRUCTURE MAY BE ERECTED WHEN THE AMBIENT AIR TEMPERATURE IS WITHIN THE RANGE OF 4 DEG. C. TO 32 DEG. C.
- ALL STEEL IN BEARINGS SHALL BE AASHTO M270/270M GRADE 250, U.N.O.
- ALL STEEL PRODUCED IN THE U.S.A.
- CONTACT PETER SOMOGYI, COORDINATOR.
- TOLERANCES: THICKNESS  $-0+1/8$   
PLAN  $-0+1/8$
- MANUFACTURING FACILITY LOCATION:  
AMSCOT STRUCTURAL PRODUCTS INC.  
741 EAST BLACKWELL STREET  
DOVER, NJ 07801
- ALL DIMENSIONS ARE IN METRIC.
- ALL BEARING DEVICES SHALL BE GALVANIZED OR METALIZED AS PER STANDARD SPECIFICATIONS 506.15 AND 531.04(b), AS MODIFIED BY THE GENERAL SPECIAL PROVISIONS. IF THE BEARINGS ARE METALIZED, THEY SHALL BE SEALED WITH AN APPROVED SEALER AS SPECIFIED IN GENERAL SPECIAL PROVISION 506.15.
- ALL ANCHOR BOLTS, NUTS AND WASHERS SHALL BE GALVANIZED.

Add same notes as sheet 1.

**FIXED BEARING DETAIL- ABUTMENT NO. 1 KICKER**

(1 REQ'D)

ANCHOR BOLT DETAILS

VAOT  
RECEIVED  
CK'D BY \_\_\_\_\_ OK'D BY \_\_\_\_\_  
APR 24 2003  
RESUBMIT APPROVED *As Noted*  
BY *RRW* DATE *5-2-03*

BRIDGE NO. 7	PROJECT NO.: BHF 2000 (17)
FIXED BEARING DETAILS ABUTMENT NO. 1 KICKER US RT 5 (T.H.I.), TOWN OF BRATTLEBORO COUNTY OF WINDHAM	
PRIME CONTRACTOR: RENAUD BROS., INC.	SCALE = N.T.S.
FABRICATOR: AMSCOT STRUCTURAL PRODUCTS INC.	AMSCOT #1630
DWG. NO.: R803A2R0	SHEET NO. 2 OF 3