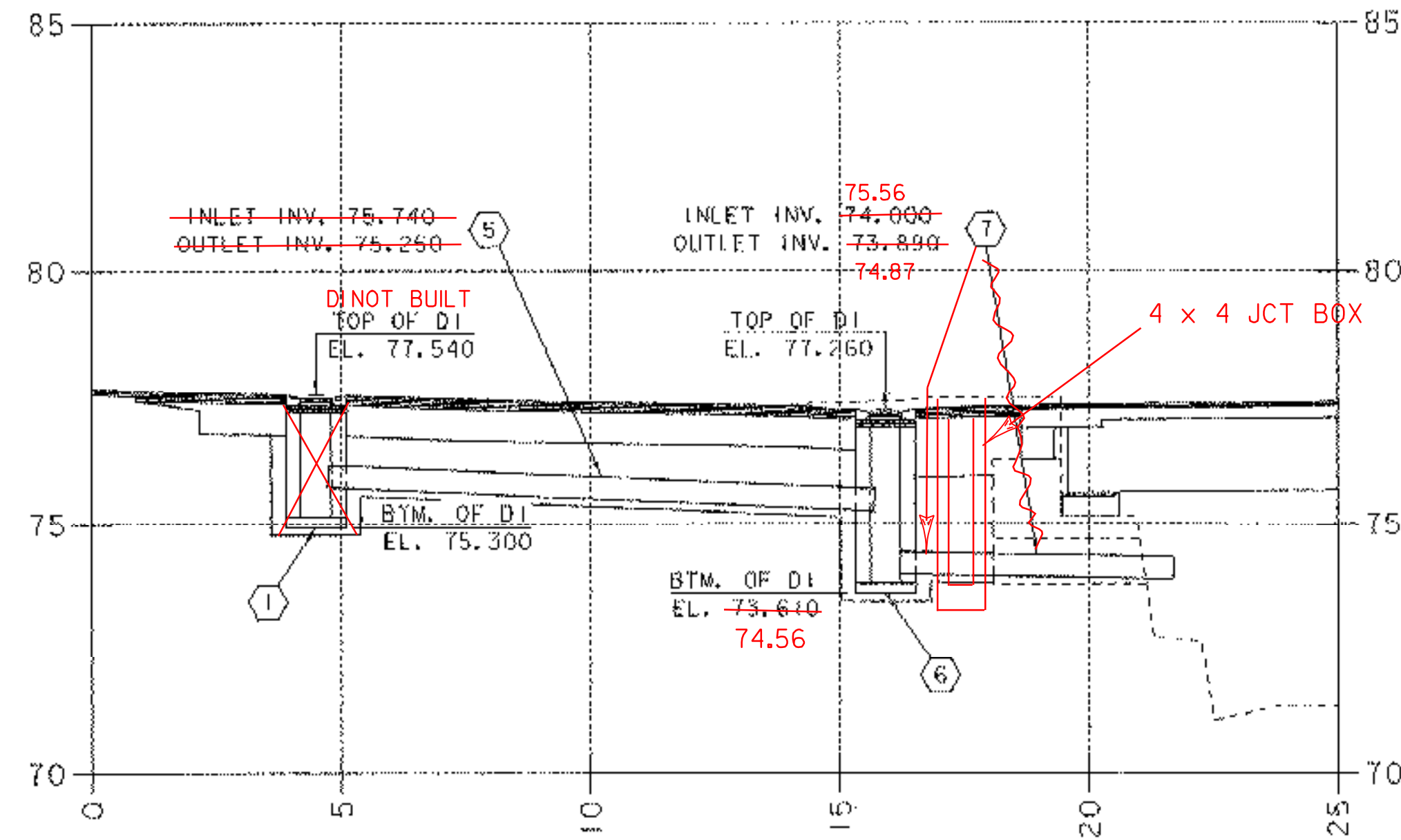
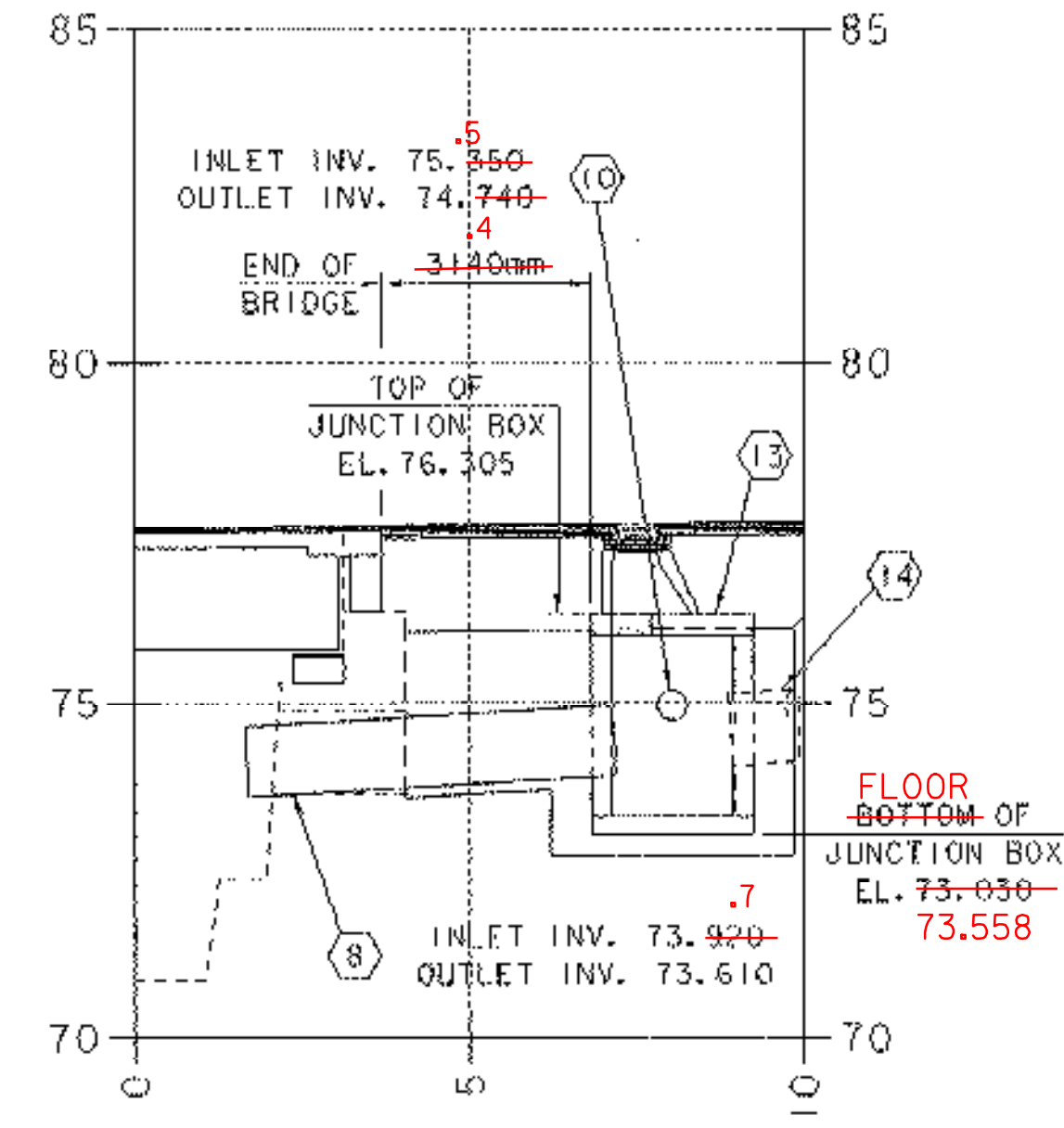


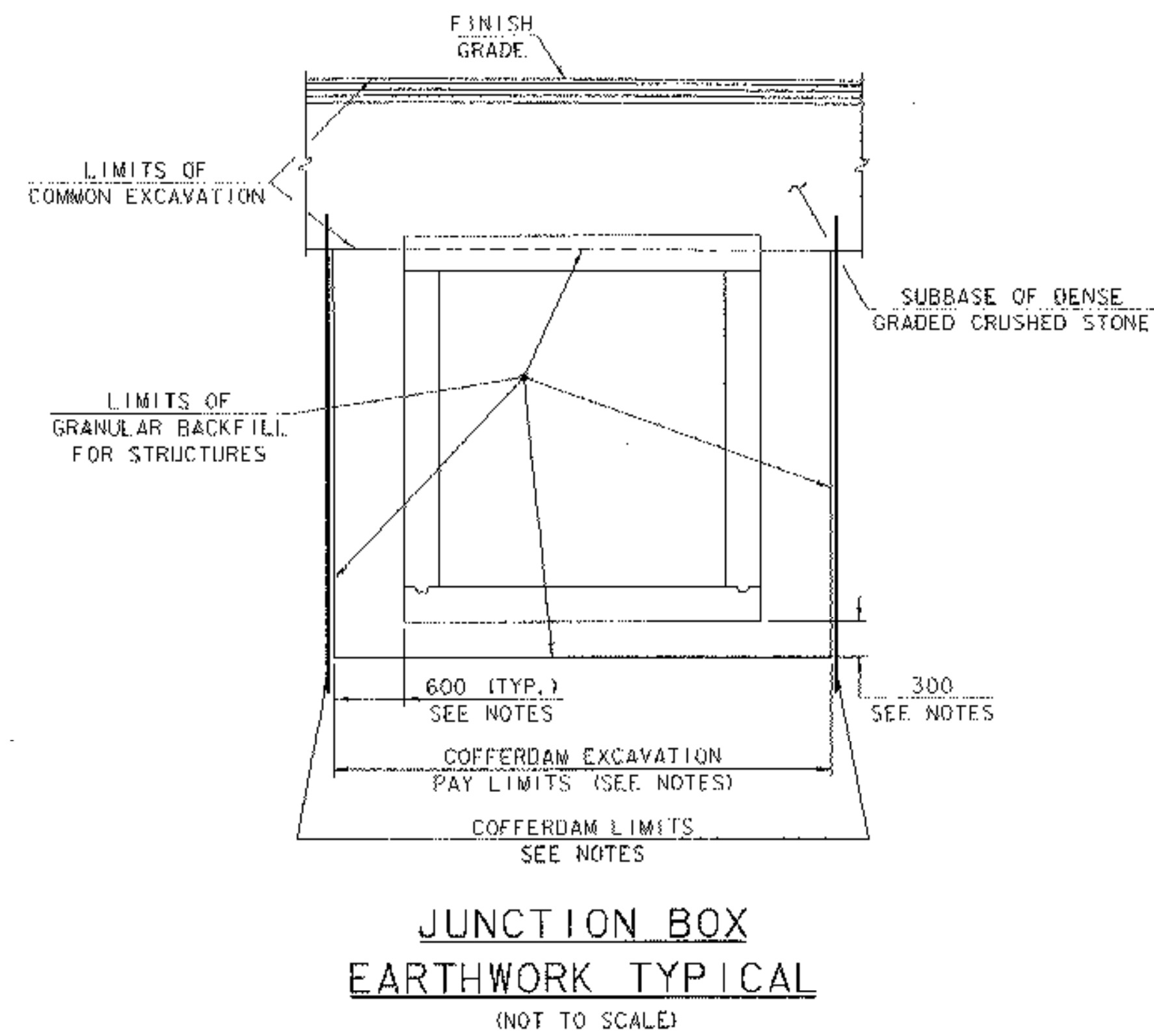
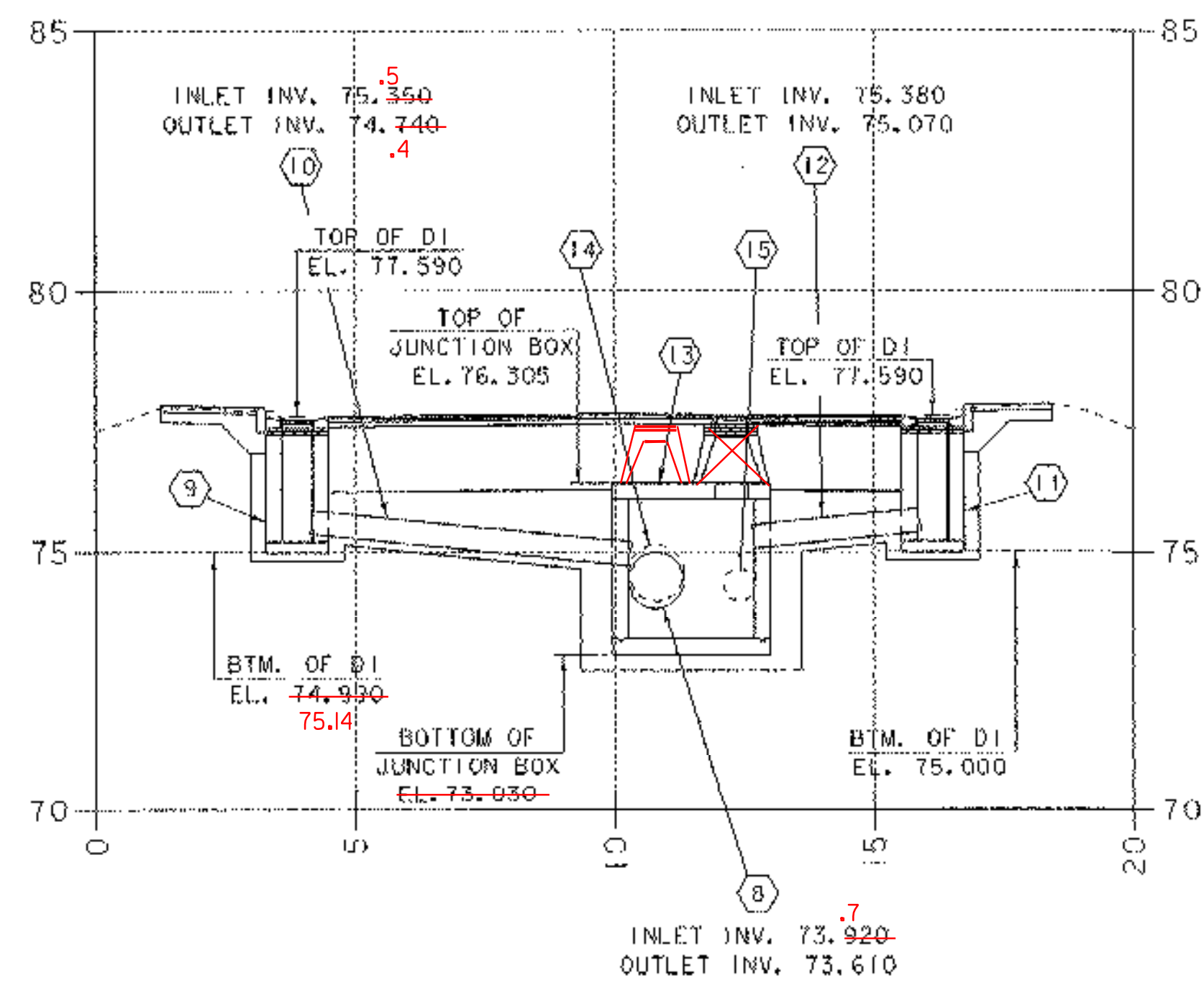
Pipe Profile
Sta. 10+018.26 Lt. - Sta. 10+051.54 Lt.



Pipe Profile
Sta. 10+064.01 Rt. - Sta. 10+074.22 Rt.

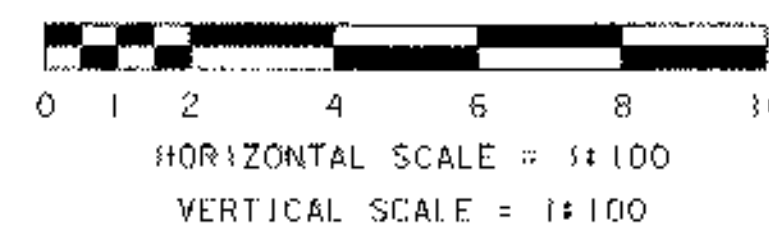


Pipe Profile
Sta. 10+070.09 Lt. - Sta. 10+072.73 Rt.



NOTES

1. COFFERDAM SIZE TO BE DETERMINED BY THE CONTRACTOR.
2. THE PAY LIMITS OF "COFFERDAM EXCAVATION, EARTH" AND "COFFERDAM EXCAVATION, ROCK" SHALL BE 600 OUTSIDE THE PERIMETER OF THE JUNCTION BOX, UP TO EXISTING GROUND OR BOTTOM OF SUBBASE, WHICHEVER IS LOWER.
3. 300 UNDERCUT AT JUNCTION BOX AS DETERMINED NECESSARY BY THE RESIDENT ENGINEER.



SEE DRAINAGE DETAIL SHEET
FOR DRAINAGE PIPE INFORMATION

DRAINAGE PIPE PROFILES

PROJECT NAME:	BRATTLEBORO
PROJECT NUMBER:	BHF 2000 (17)
FILE NAME:	941078\Structures\j078dpp.j
PROJECT MANAGER:	R. R. WHITCOMB
DESIGNED BY:	G. ROY
PLOT DATE:	06-FEB-2003
DRAWN BY:	G. ROY
CHECKED BY:	T. SUMNER
SHEET 60 OF 71	