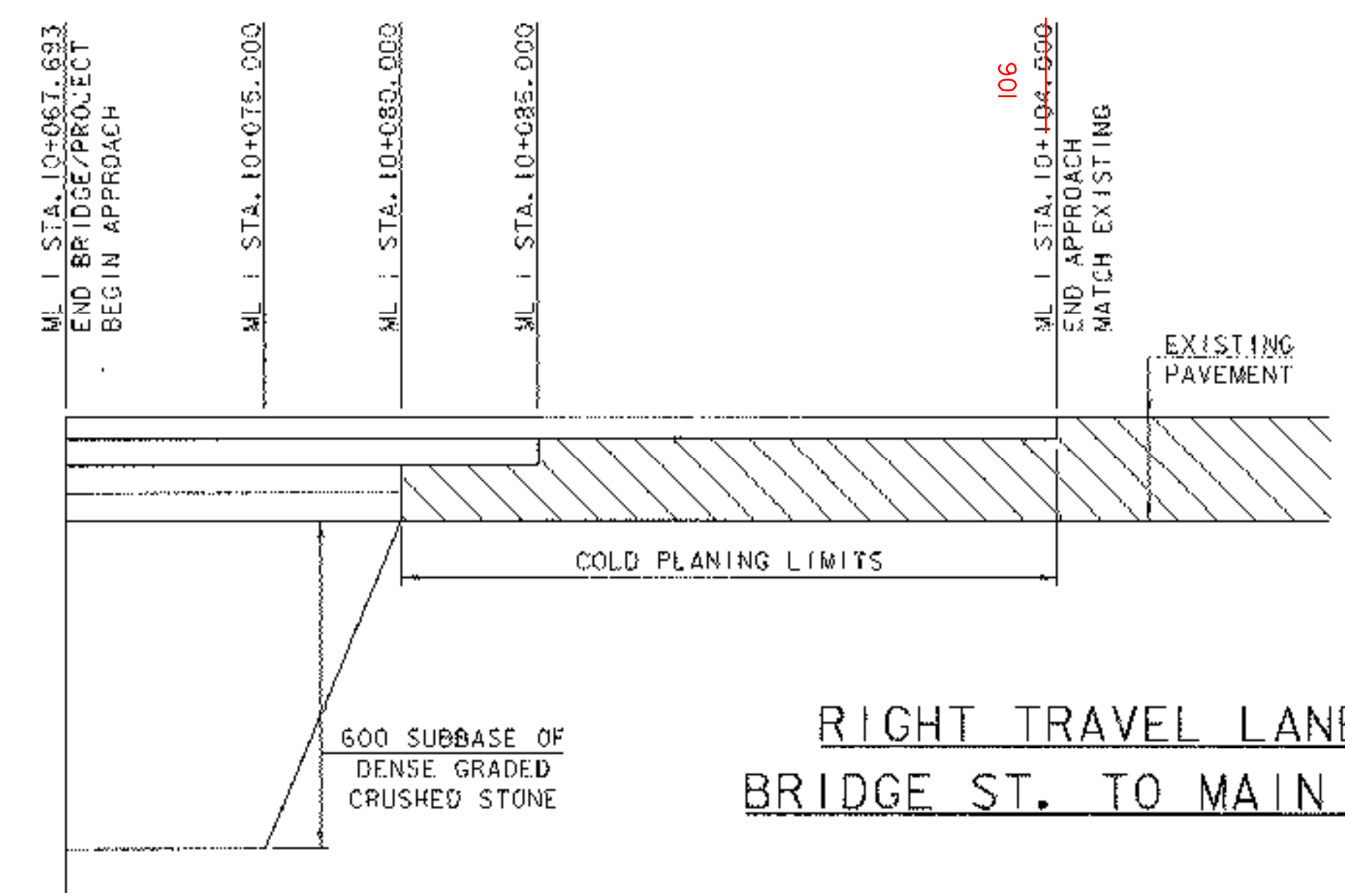
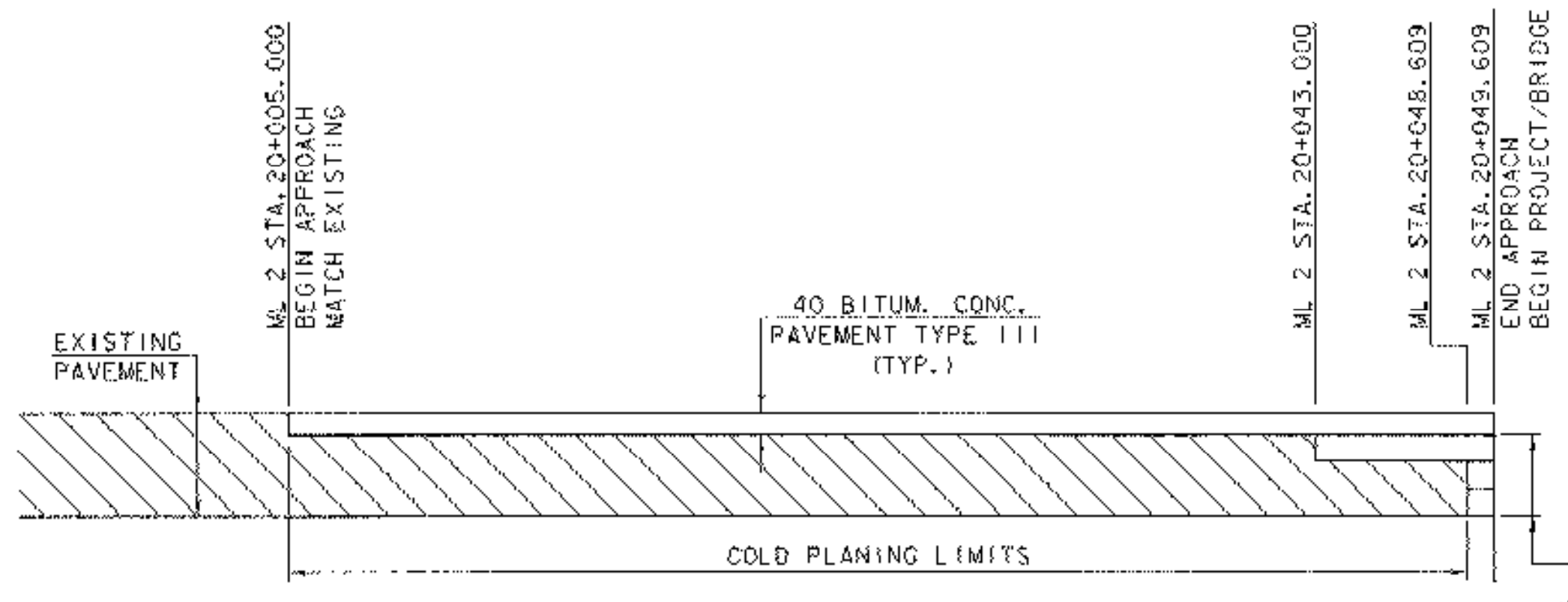
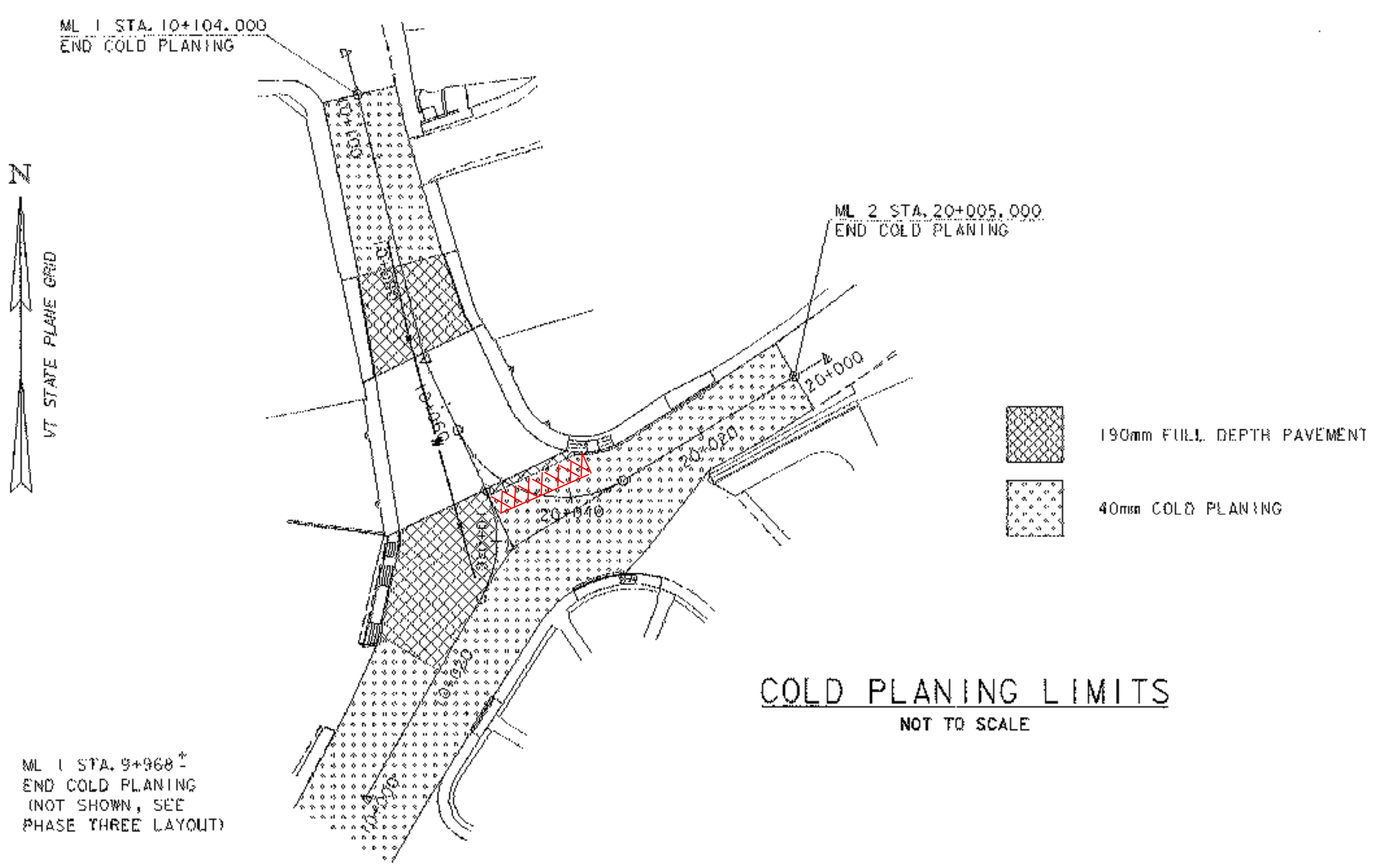


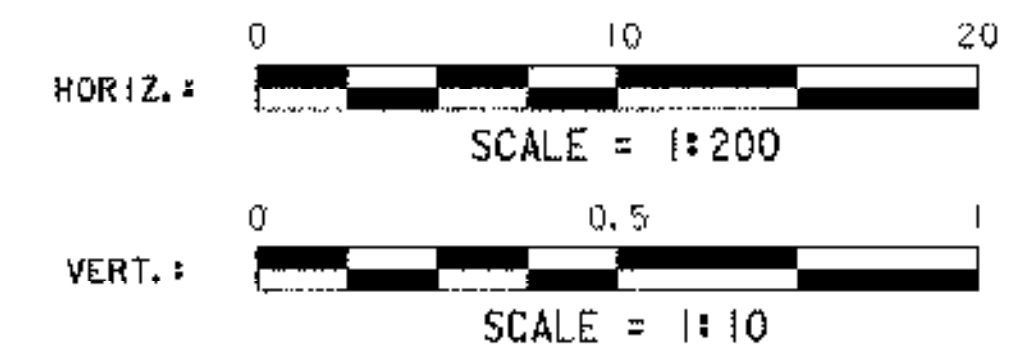
LEFT TRAVEL LANE
CANAL ST. TO MAIN ST.



RIGHT TRAVEL LANE
BRIDGE ST. TO MAIN ST.



ML 1 STA. 9+968 ±
END COLD PLANING
(NOT SHOWN, SEE
PHASE THREE LAYOUT)



MATERIAL TRANSITION
& COLD PLANING DETAILS

PROJECT NAME:	BRATTLEBORO	FILE NAME:	94\078\Structures\078mat.d	PLOT DATE:	06-FEB-2003
PROJECT NUMBER:	BHF 2000 (17)	PROJECT MANAGER:	R. R. WHITCOMB	DRAWN BY:	G. ROY
DESIGNED BY:	G. ROY	CHECKED BY:	T. SUMNER	SHEET	59 OF 71