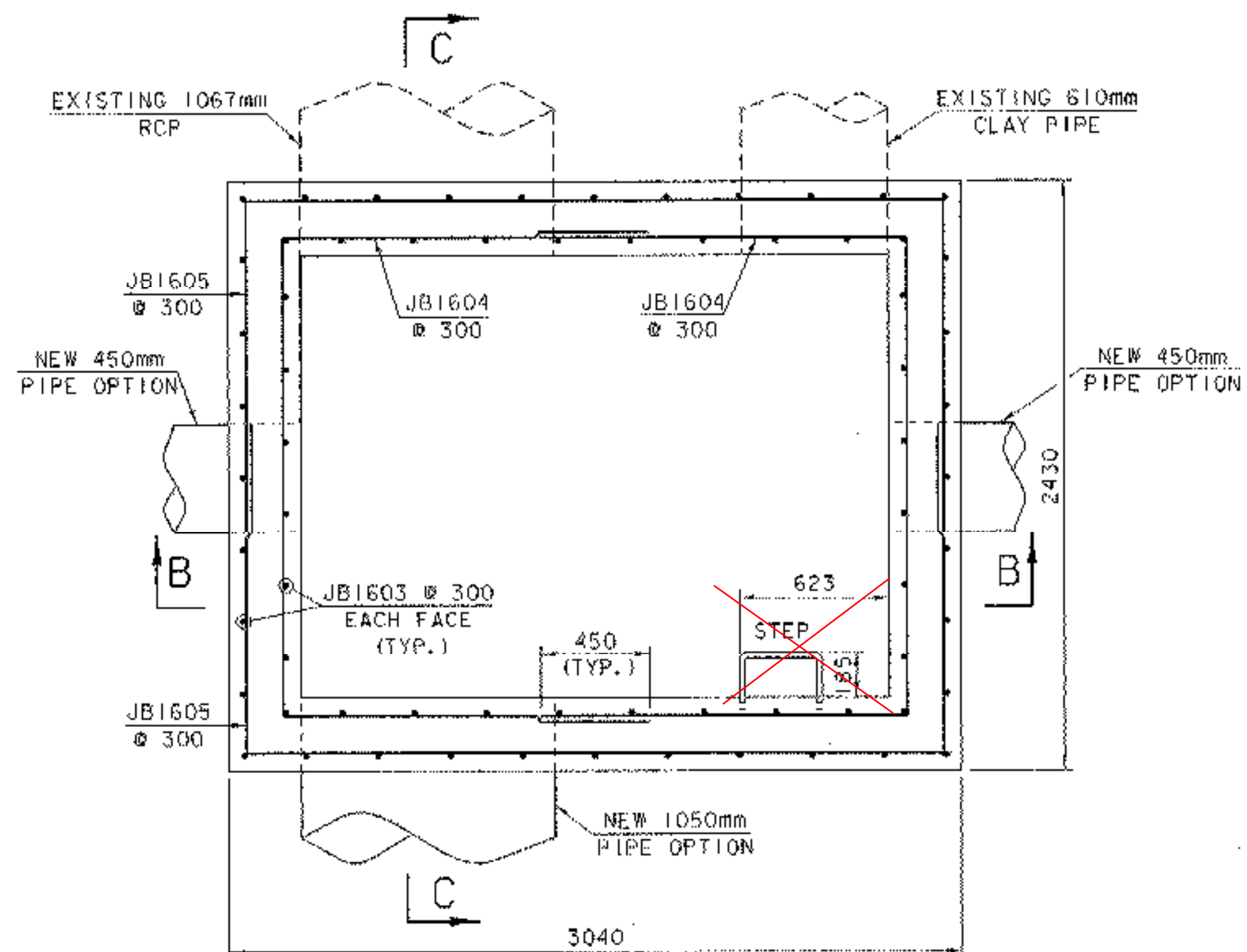
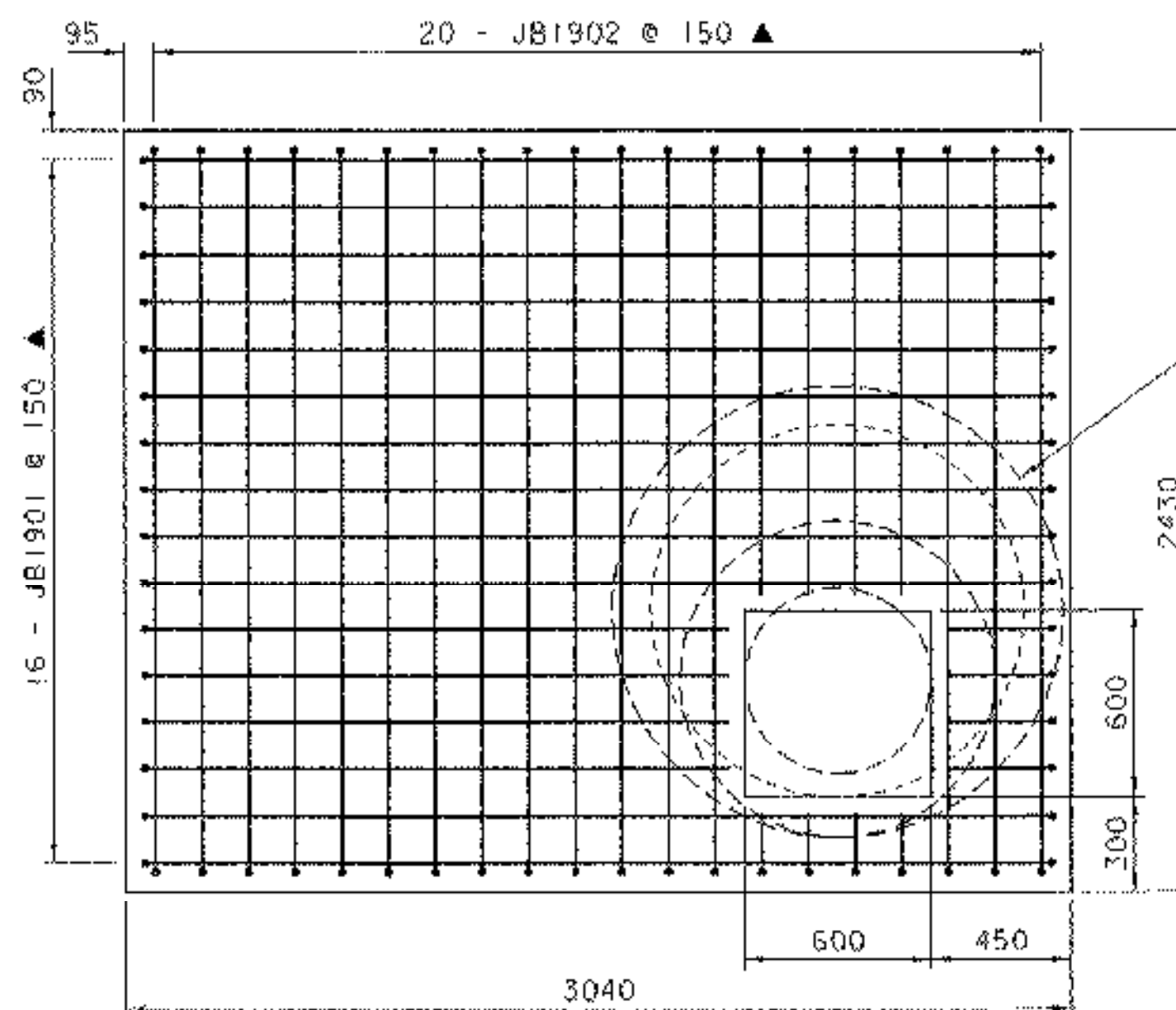


STEPS REMOVED AS PER PUBLIC WORKS SPT. STEVE BARRETT'S REQUEST, AS MUST USE A LADDER TO ENTER 'ENCLOSED SPACE'.

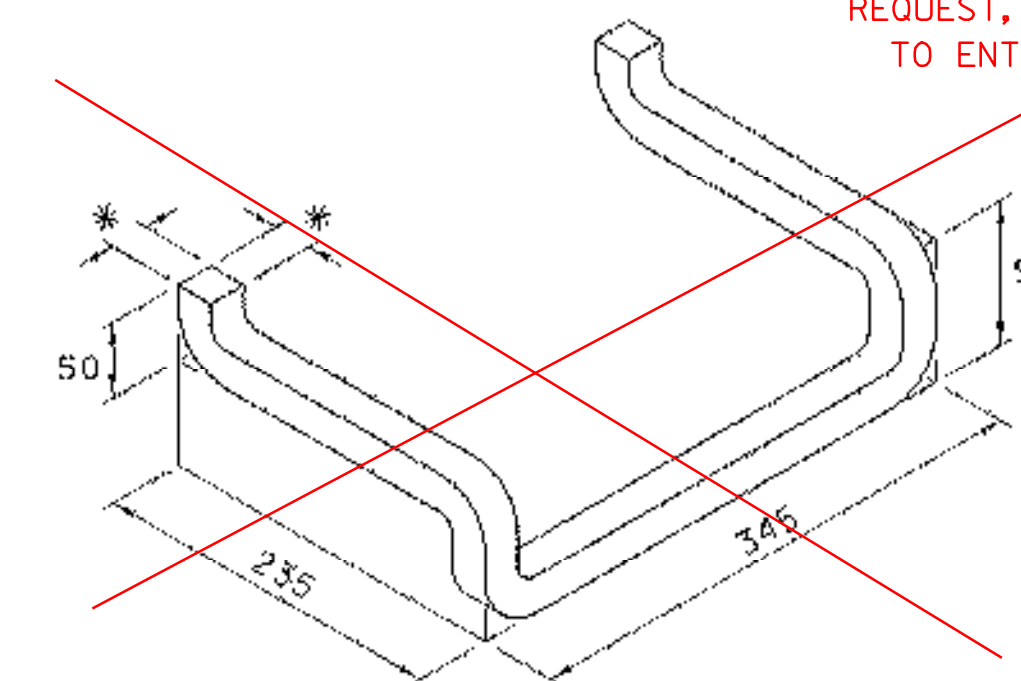


SECTION A-A

75.30 = BOTTOM H2O LINE @ IO+073 & @ 0.45 LT. CL



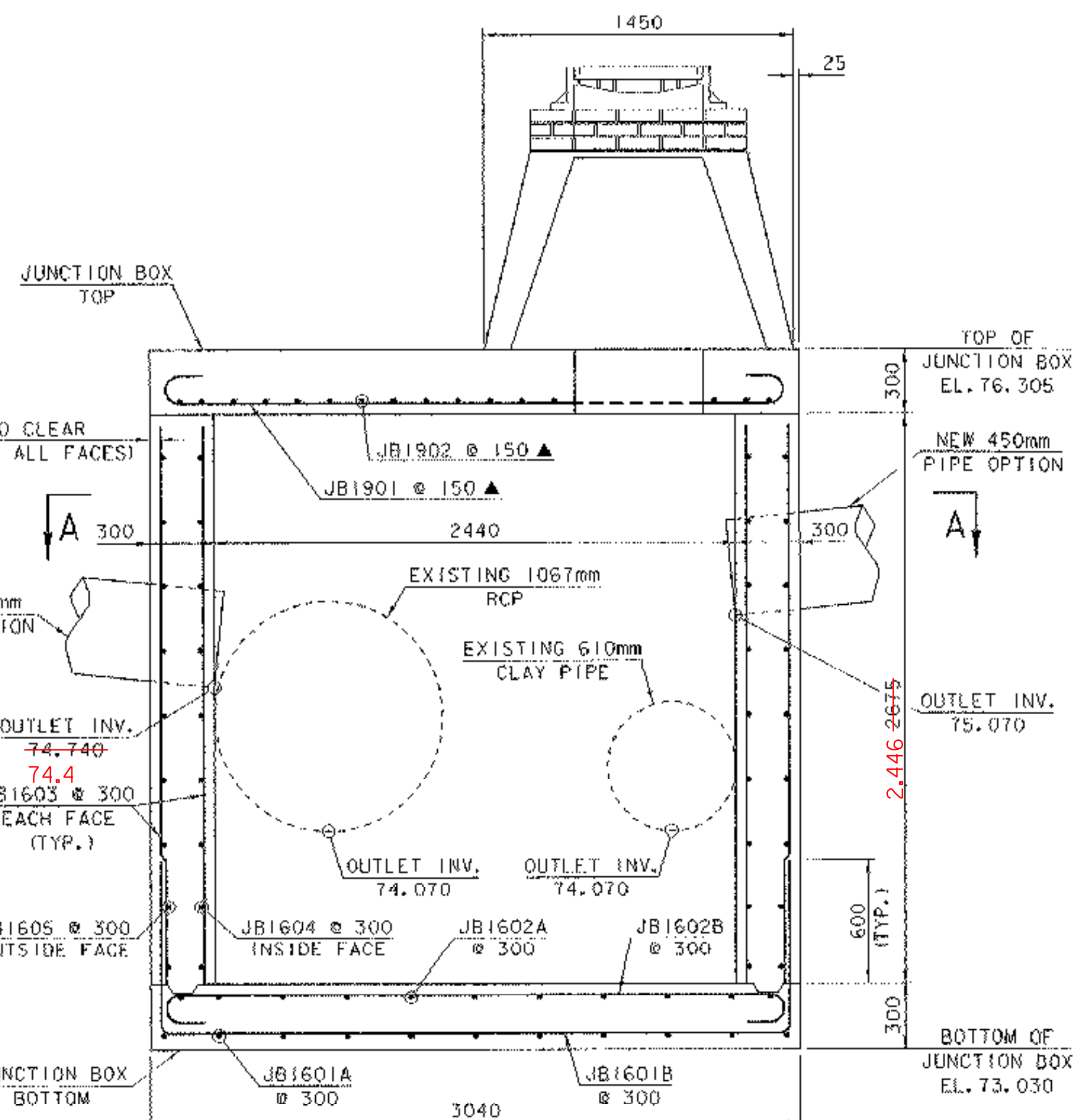
PLAN VIEW OF ADAPTER TOP



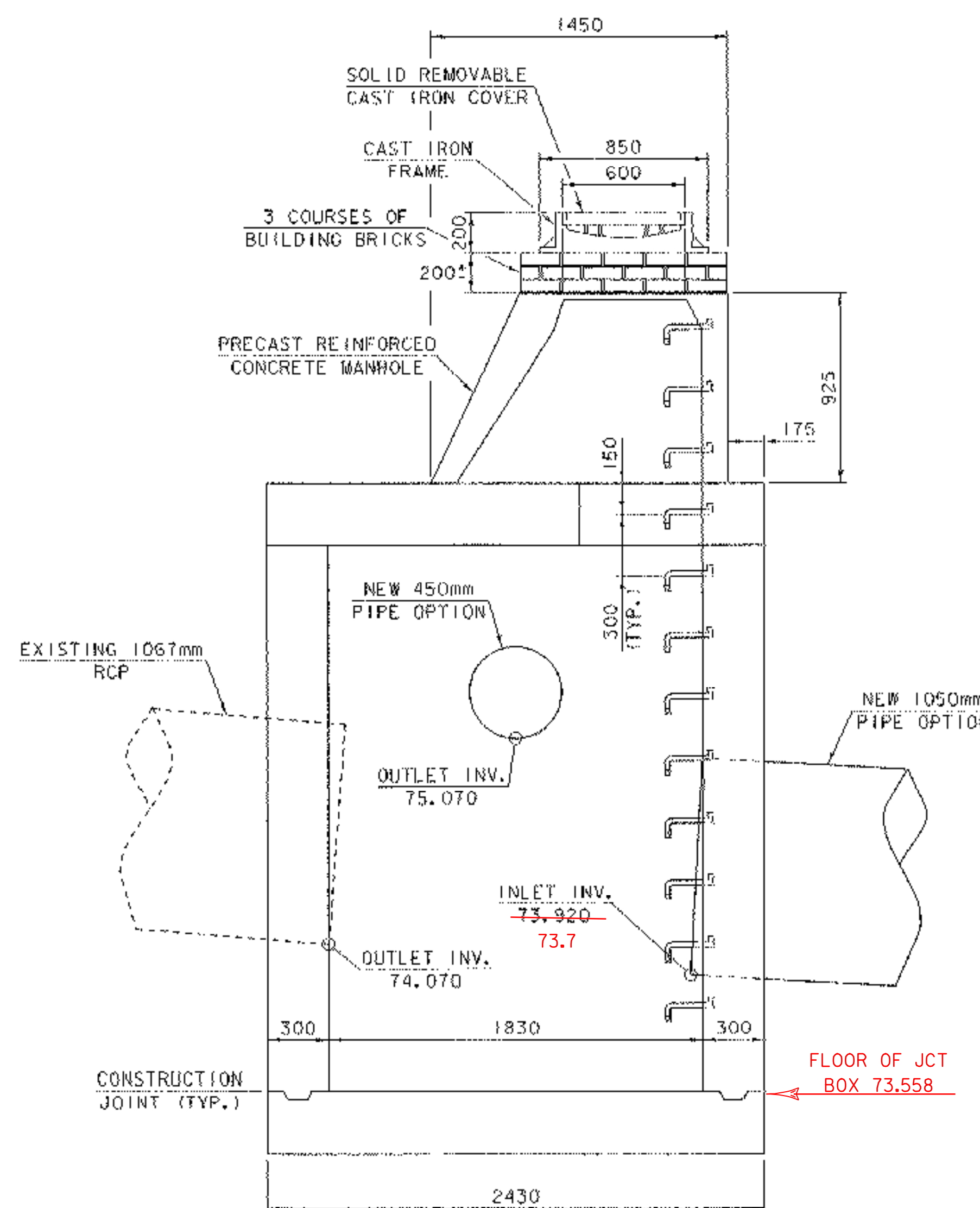
ALUMINUM STEP-DROP FRONT

(NOT TO SCALE)

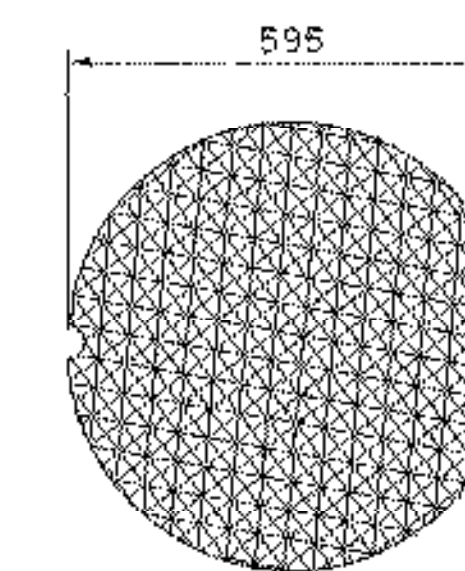
* - INDIVIDUAL METAL RINGS SHALL BE A MINIMUM DIMENSION OF 25mm AND SHALL BE PAINTED OR OTHERWISE TREATED TO RESIST CORROSION AND RUSTING.



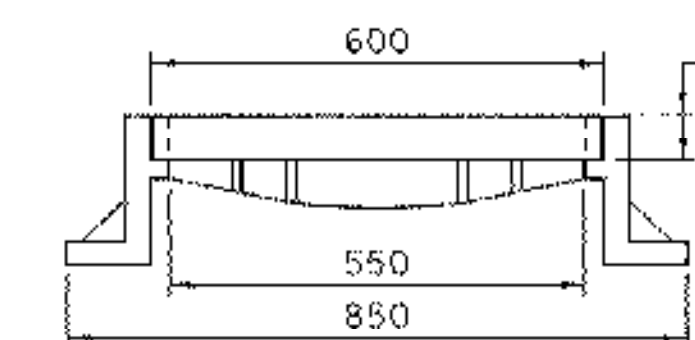
SECTION B-B



SECTION C-C



PLAN



ELEVATION

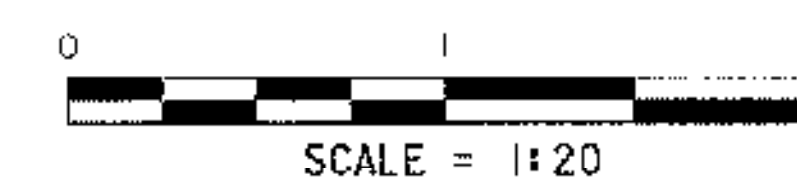
CAST IRON COVER AND FRAME DETAILS

(NOT TO SCALE)

NOTES

1. MORTAR TYPE II TO BE USED FOR JOINT FILLER AND LAYING OF BRICKS.
2. THE PRECAST REINFORCED CONCRETE MANHOLE SHALL BE PLACED ON THE JUNCTION BOX SO AS TO PROVIDE DIRECT ACCESS TO STEPS.
3. SEE REINFORCING STEEL SCHEDULE FOR REINFORCING BAR DETAILS

JUNCTION BOX DETAILS



PROJECT NAME: BRATTLEBORO
PROJECT NUMBER: BHF 2000 (I7)

FILE NAME: 94J078\Structures\94J078\B1
PROJECT MANAGER: R. R. WHITCOMB
DESIGNED BY: T. SUMNER

PLOT DATE: 06-FEB-2003
DRAWN BY: S. SCRIBNER
CHECKED BY: T. SUMNER
SHEET 55 OF 71