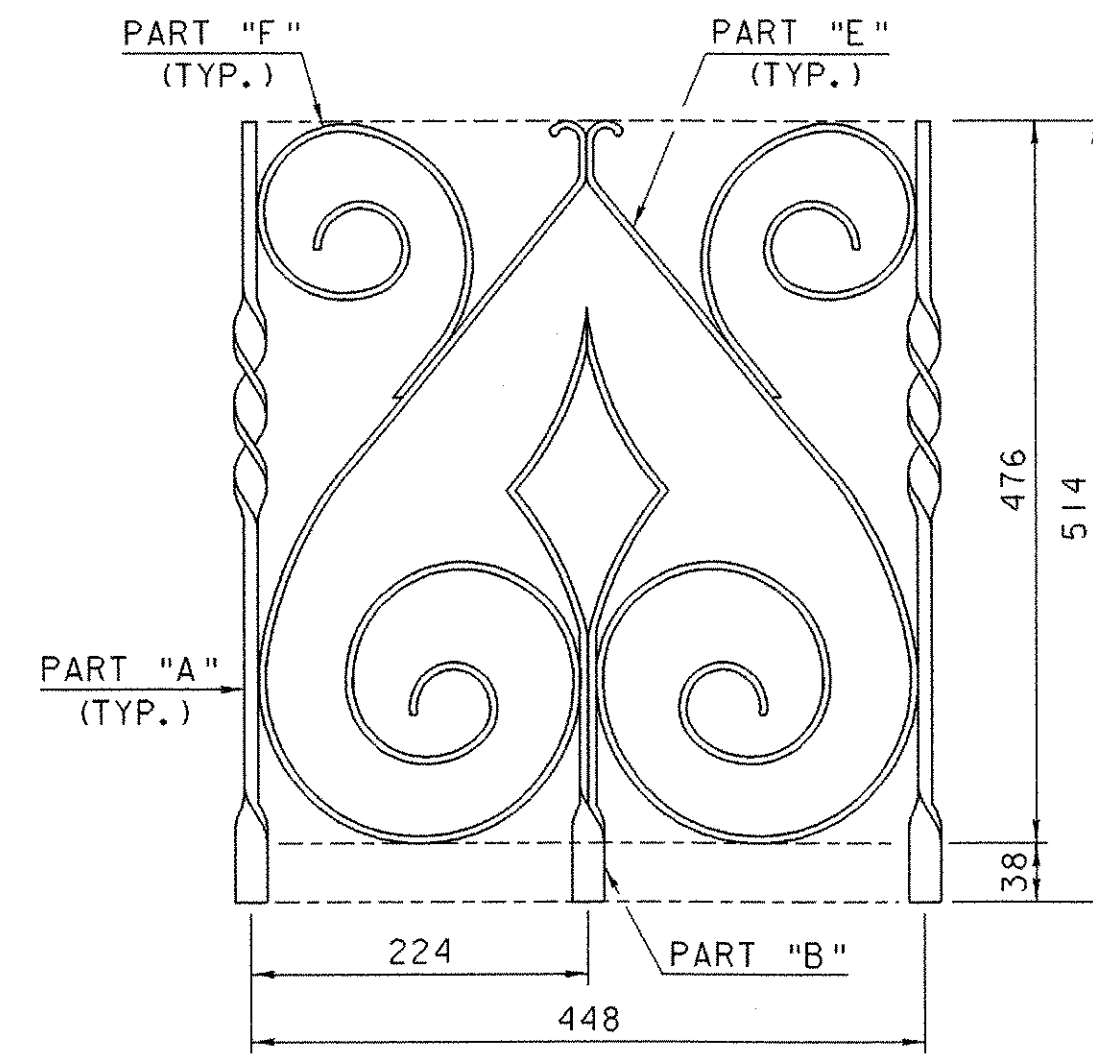
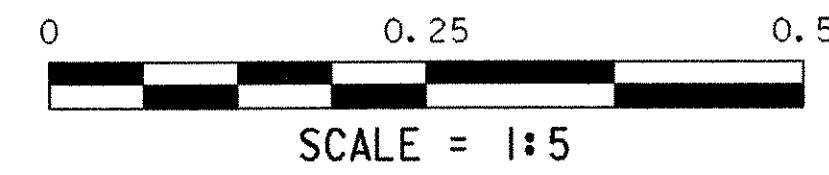
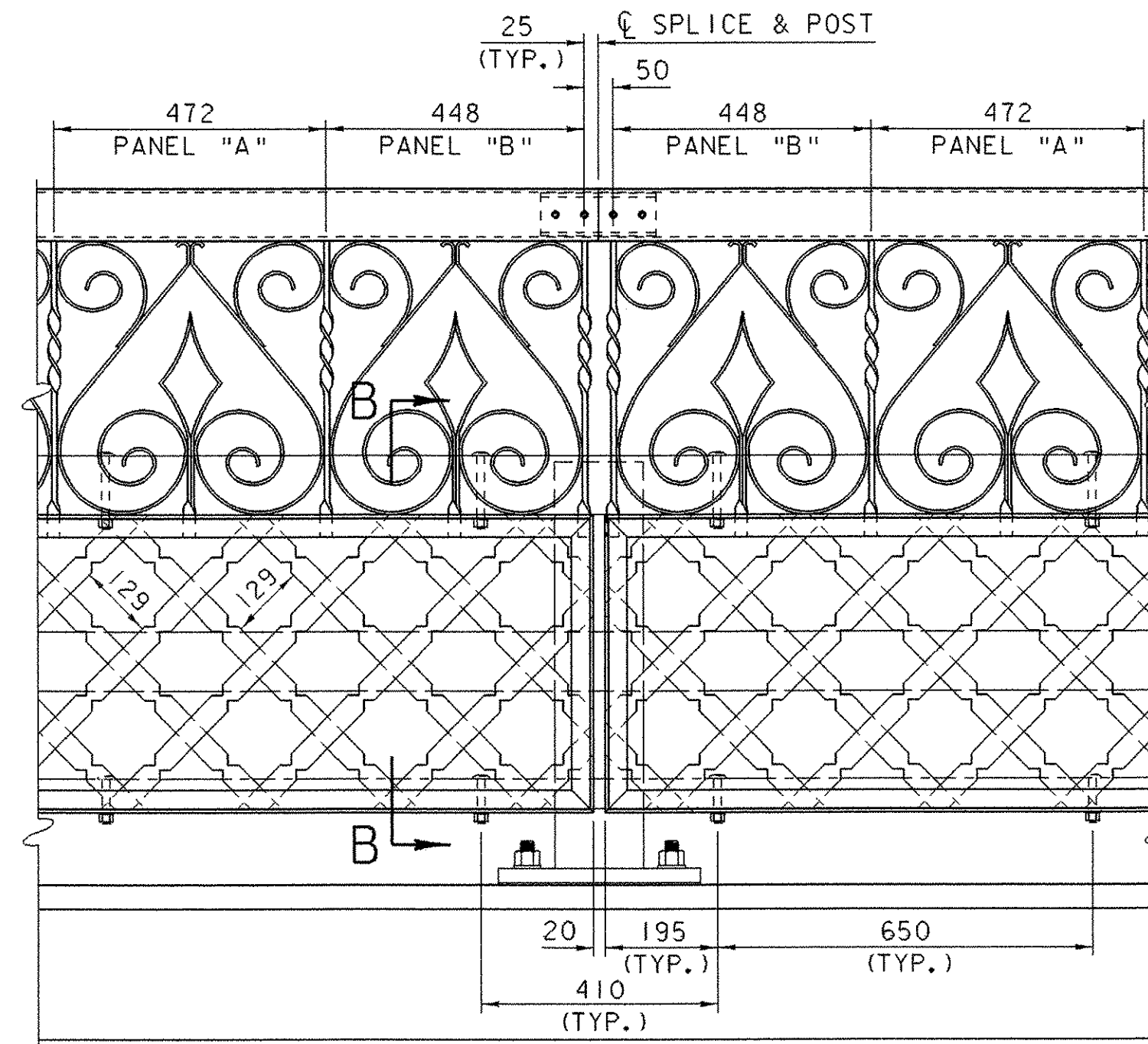
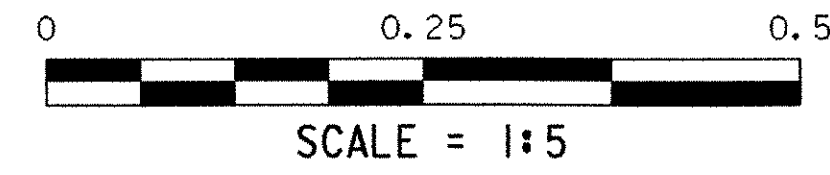


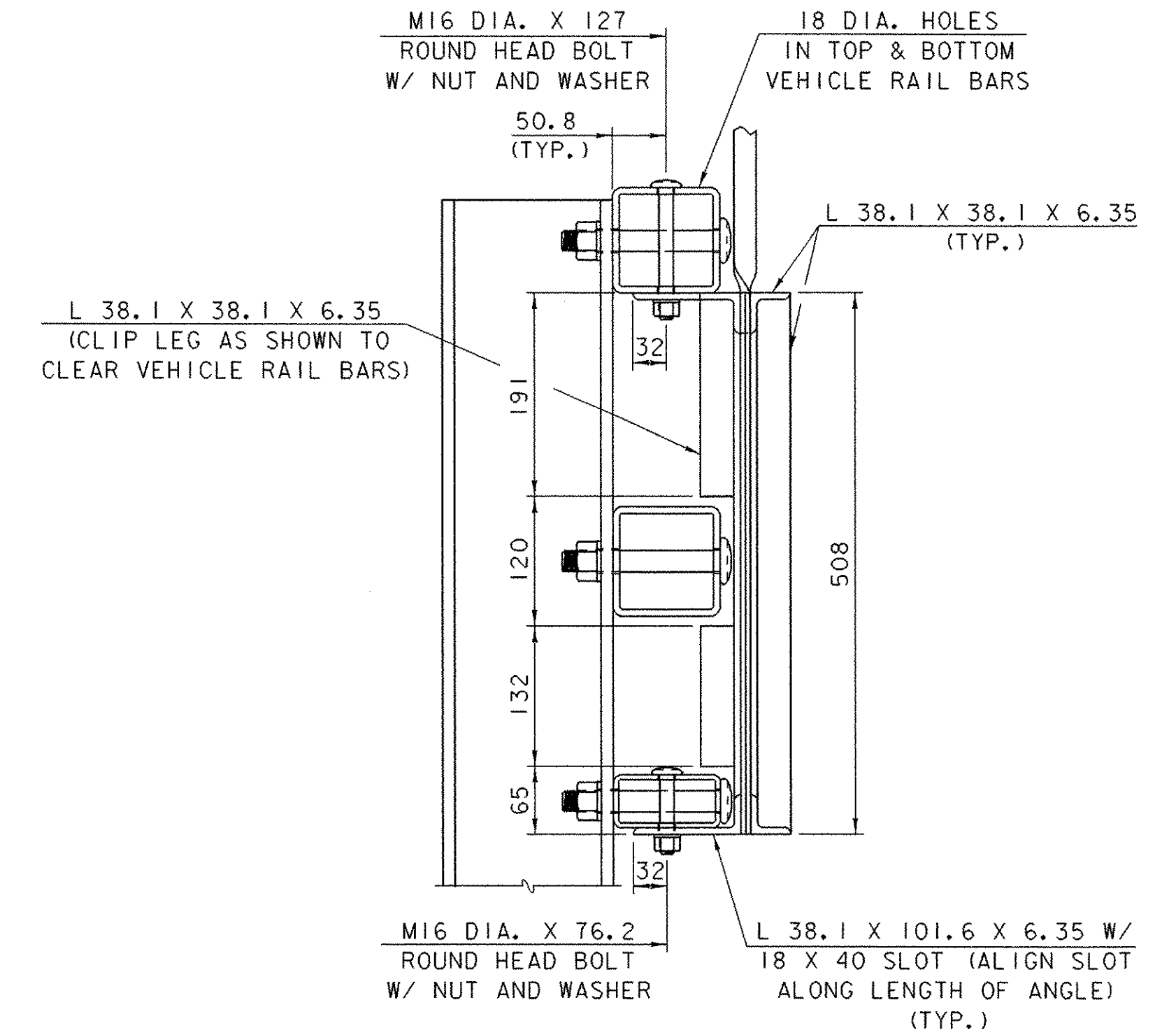
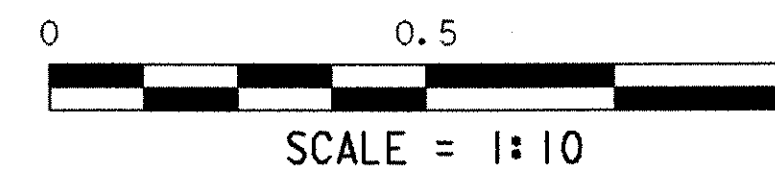
PANEL "A"



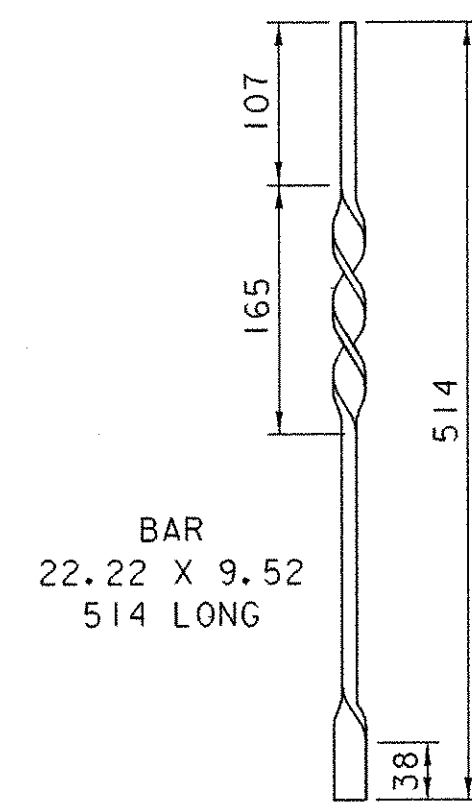
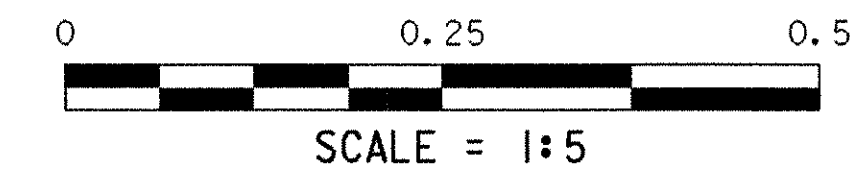
PANEL "B"



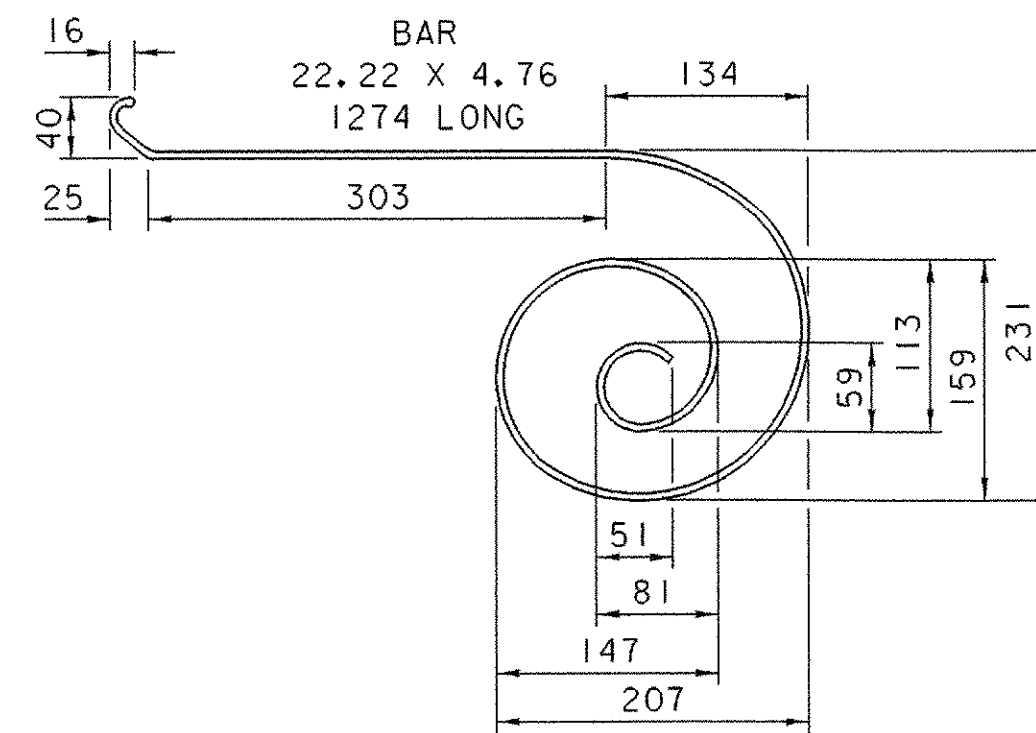
ORNAMENTAL RAIL SPLICE ELEVATION



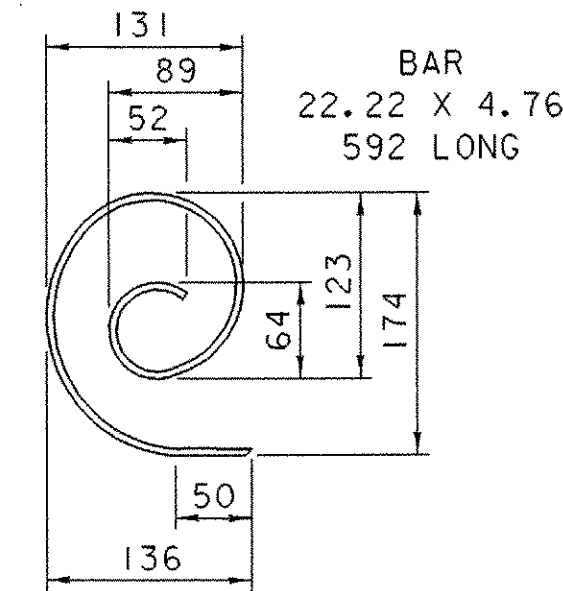
VIEW B-B



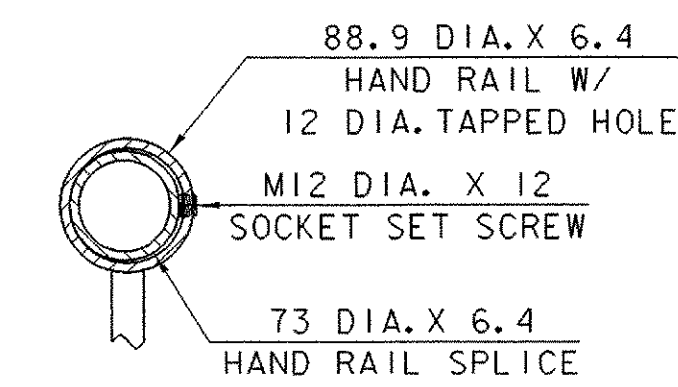
PART "A"



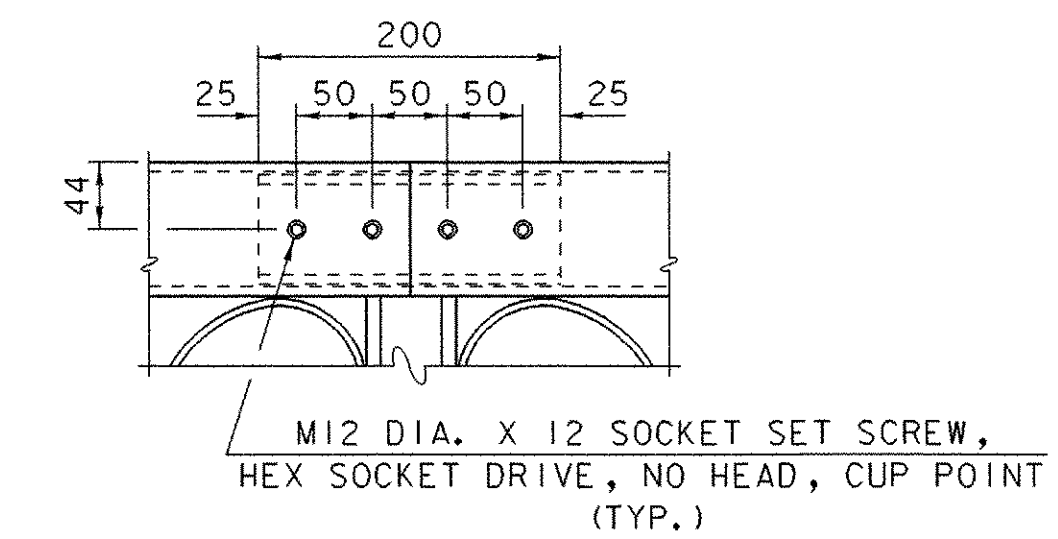
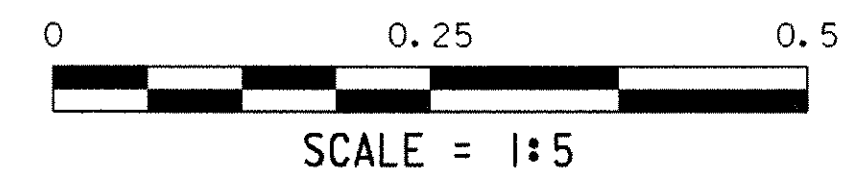
PART "C"



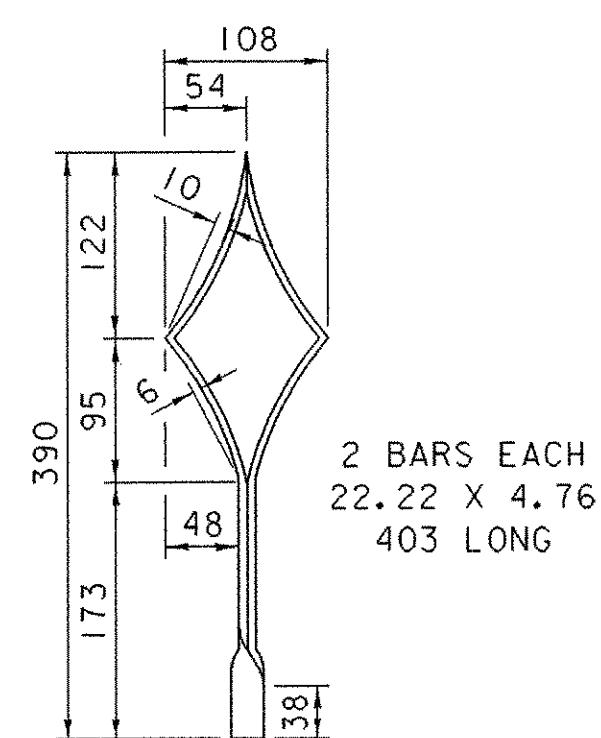
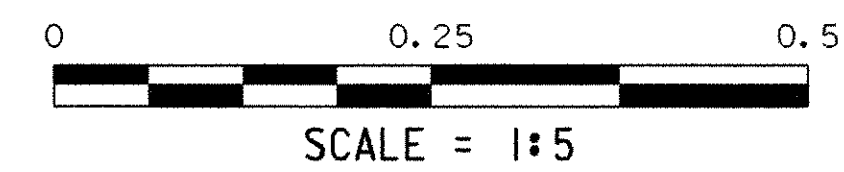
PART "D"



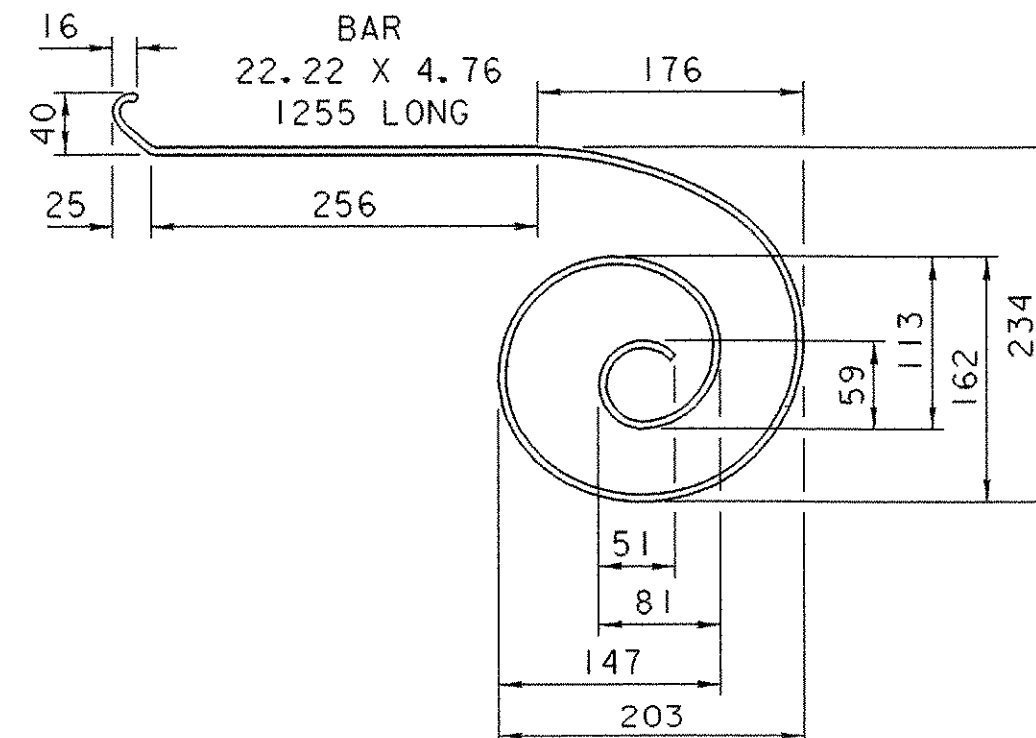
HAND RAIL SPLICE DETAILS



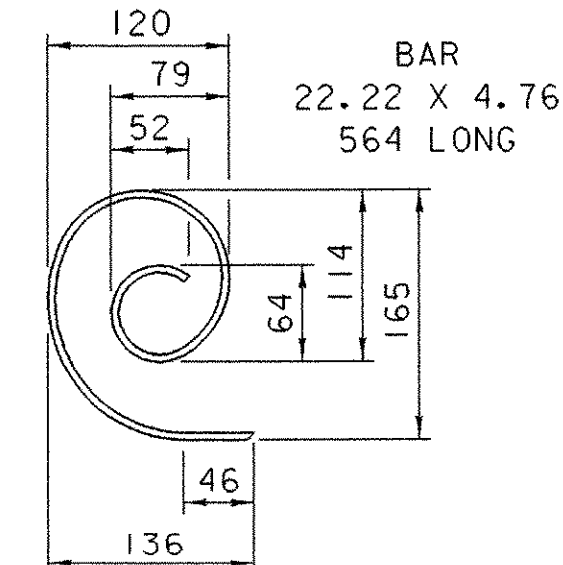
LATTICE DETAIL



PART "B"

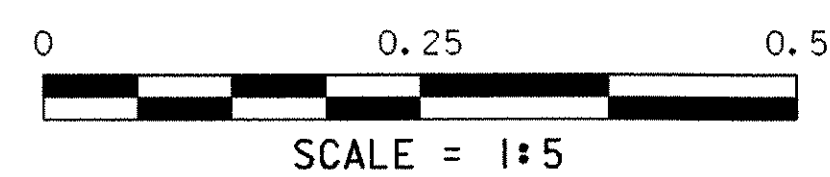


PART "E"



PART "F"

PANEL PARTS



NOTE:
CONNECTIONS REQUIRED TO ASSEMBLE THE ORNAMENTAL RAIL COMPONENTS SHALL BE DETERMINED BY THE FABRICATOR AND SUBMITTED TO THE STRUCTURES ENGINEER FOR APPROVAL. ALL INTERSECTING PIECES SHALL BE CONNECTED.

ORNAMENTAL RAIL DETAILS (3)

PROJECT NAME:	BRATTLEBORO
PROJECT NUMBER:	BRO 2000 (17)
FILE NAME:	94J078\structures\sj078ord3.1
PROJECT MANAGER:	R. R. WHITCOMB
DESIGNED BY:	G. ROY
PLOT DATE:	06-FEB-2003
DRAWN BY:	G. ROY
CHECKED BY:	T. SUMNER
SHEET	51 OF 71