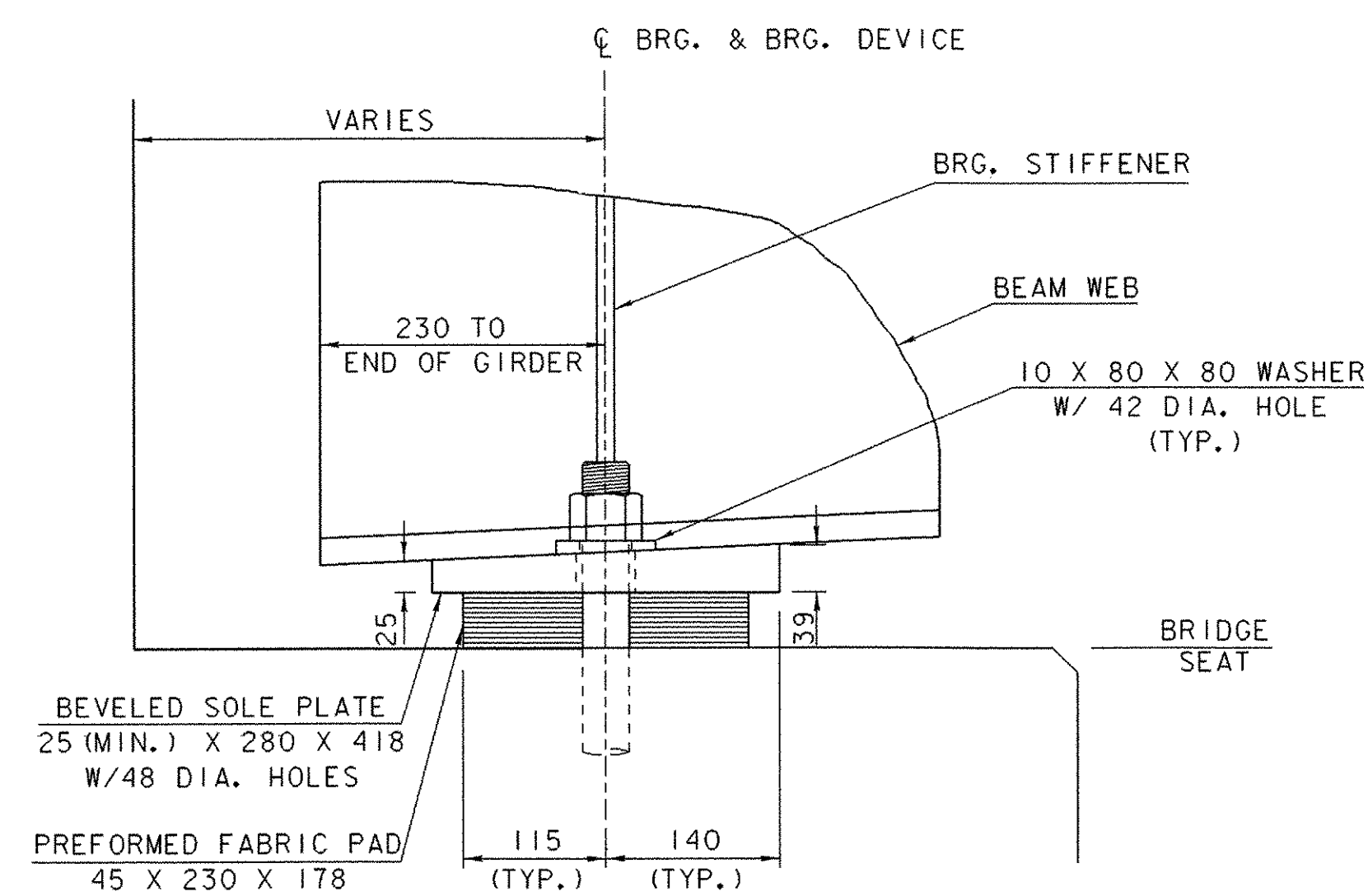
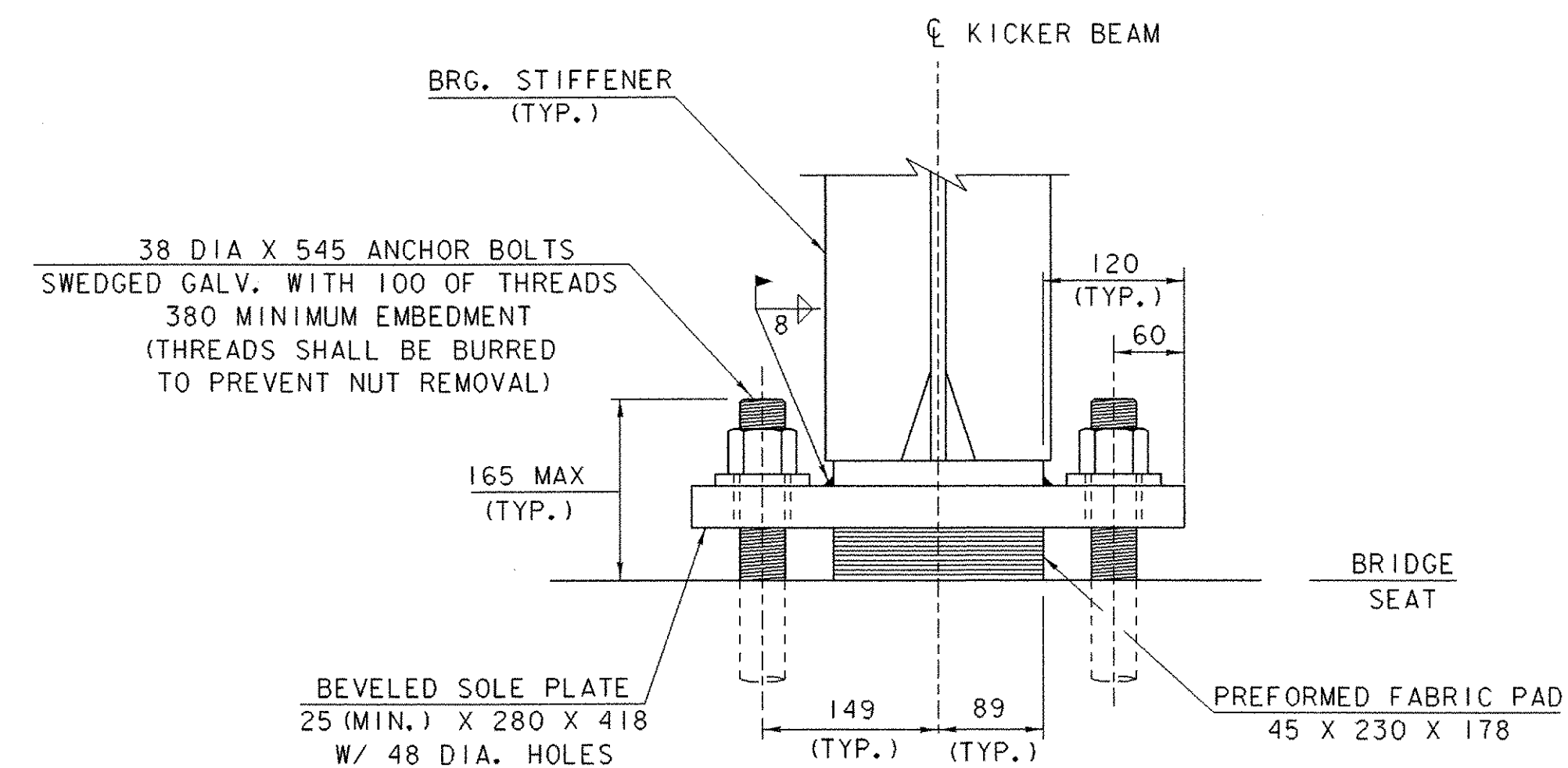


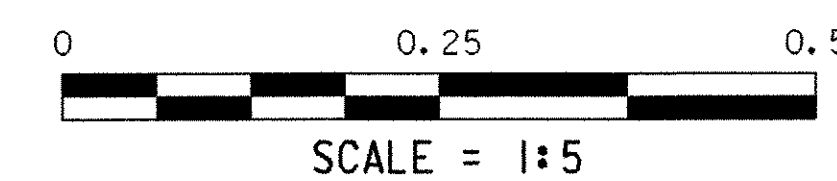
PLAN VIEW



SIDE VIEW



FRONT VIEW



KICKER BEAM BEARING DETAILS

PROJECT NAME:	BRATTLEBORO
PROJECT NUMBER:	BHF 2000 (17)
FILE NAME:	94J078\structures\sj078kbg.i
PROJECT MANAGER:	R. R. WHITCOMB
DESIGNED BY:	T. SUMNER
PLOT DATE:	06-FEB-2003
DRAWN BY:	B. MAURICE
CHECKED BY:	T. SUMNER
SHEET	46 OF 71