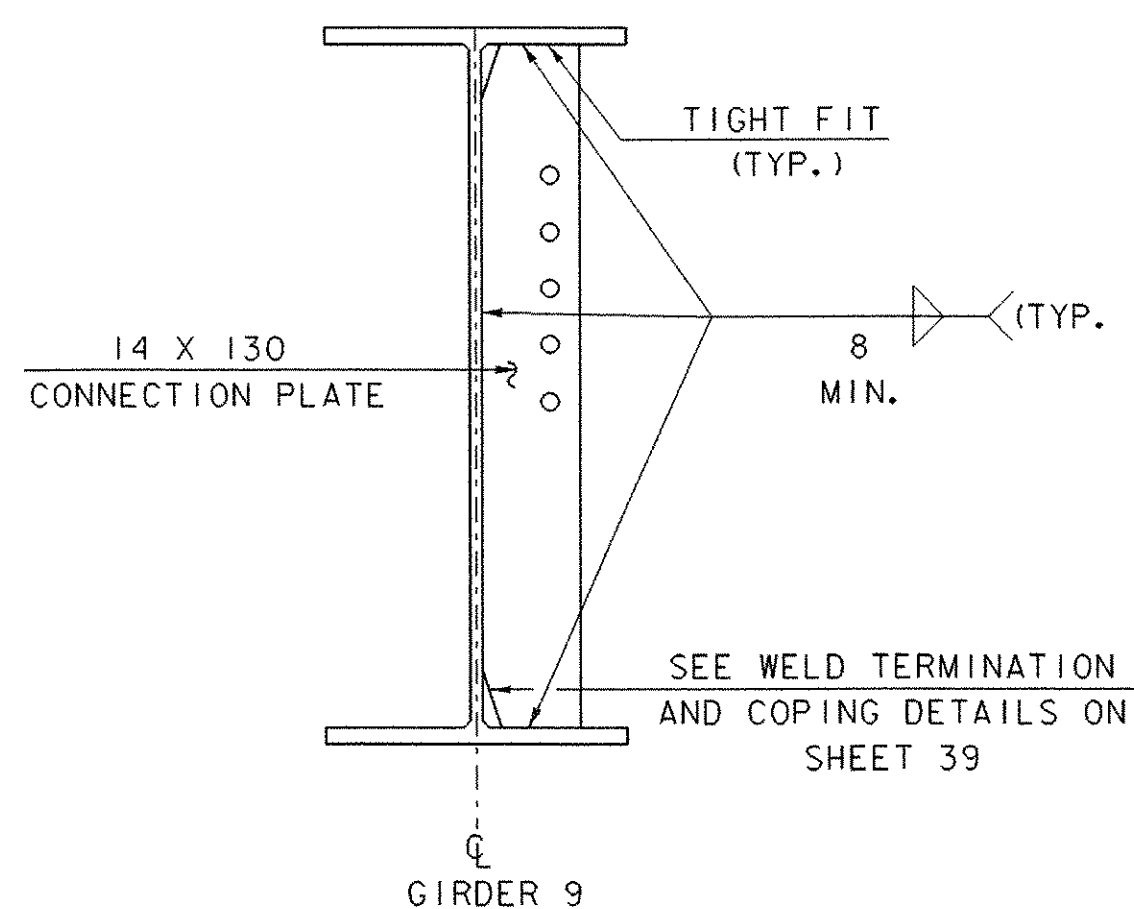
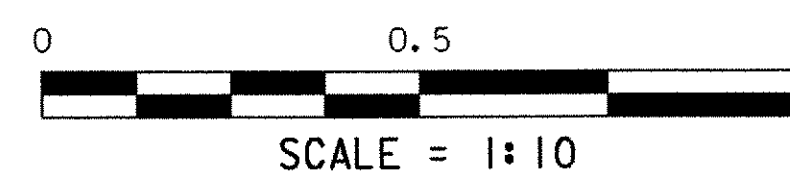
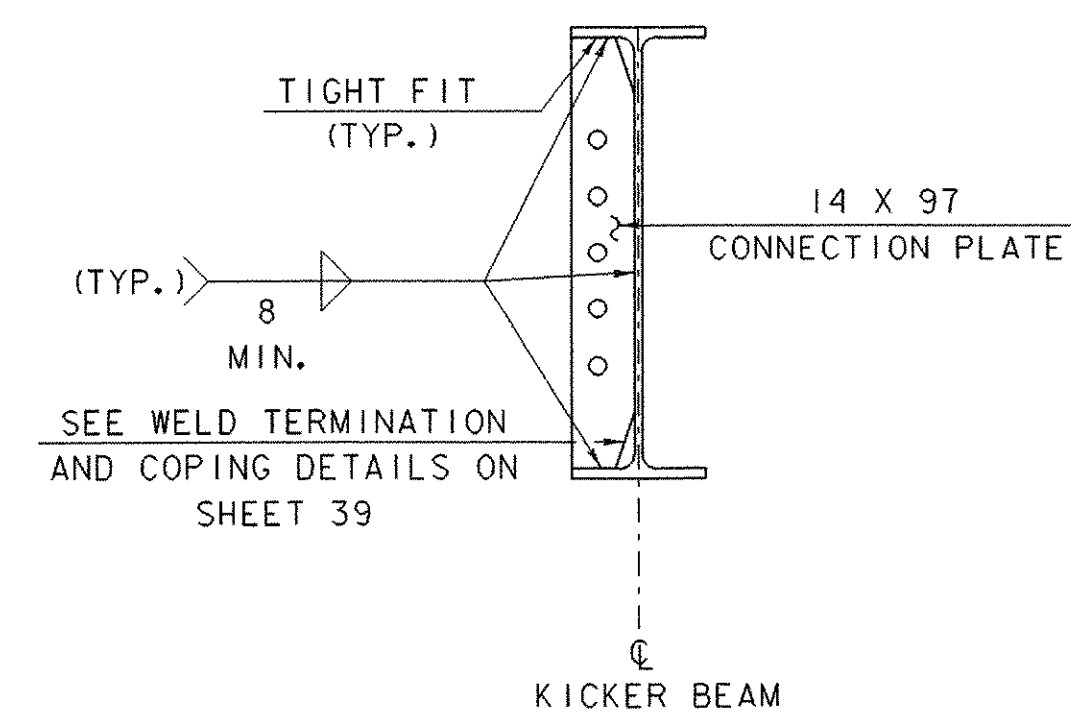
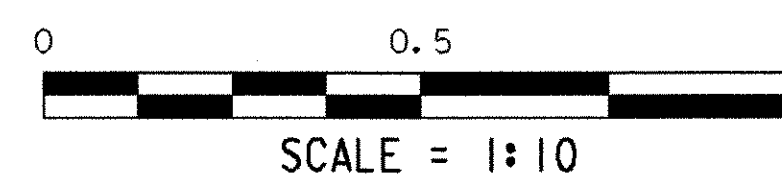


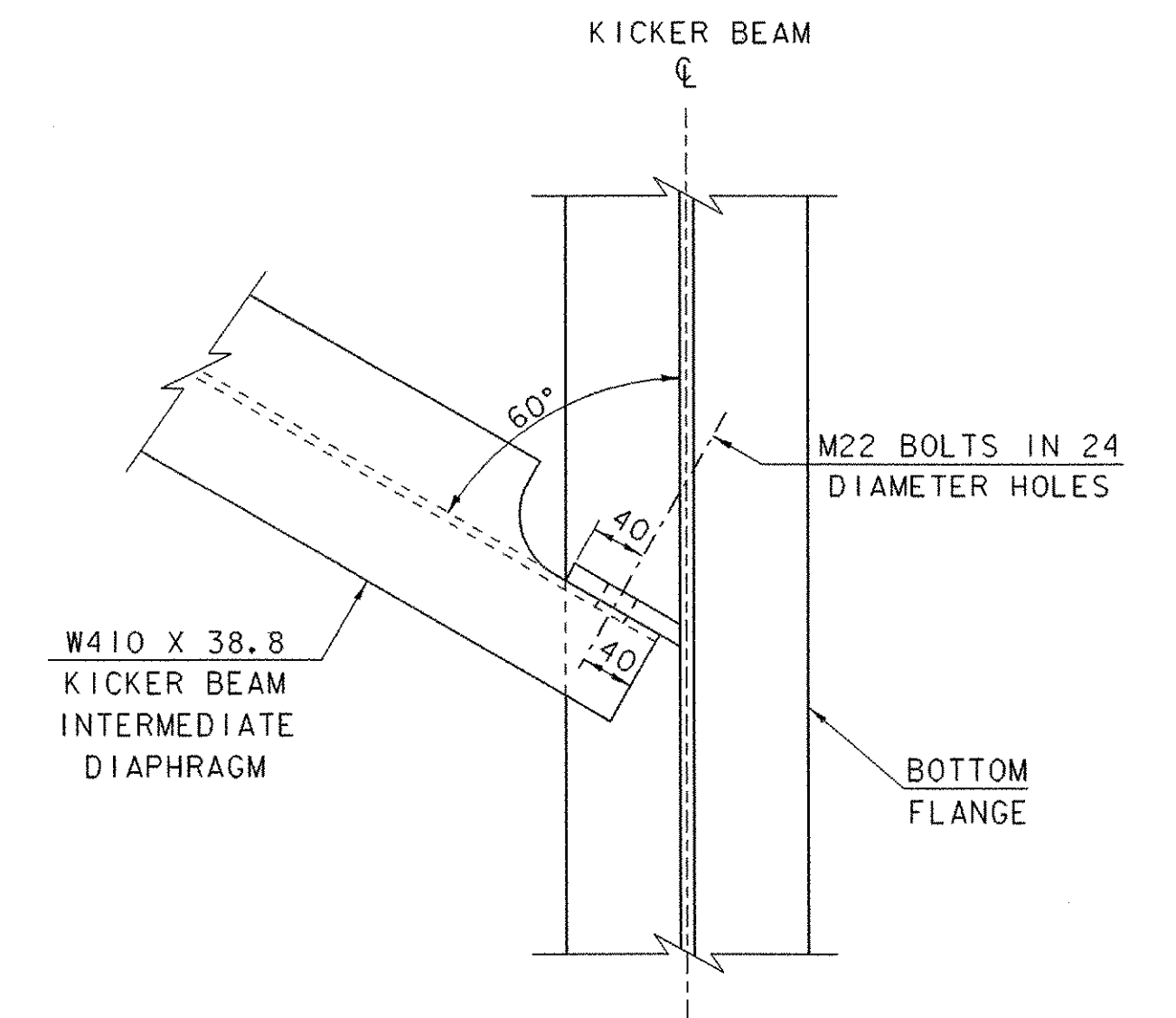
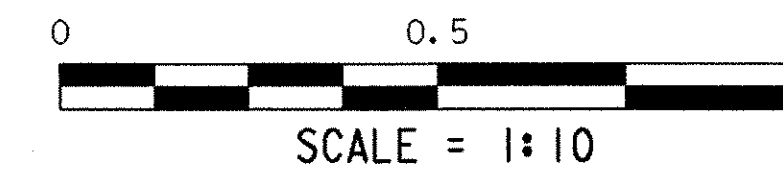
**KICKER BEAM
INTERMEDIATE DIAPHRAGM**



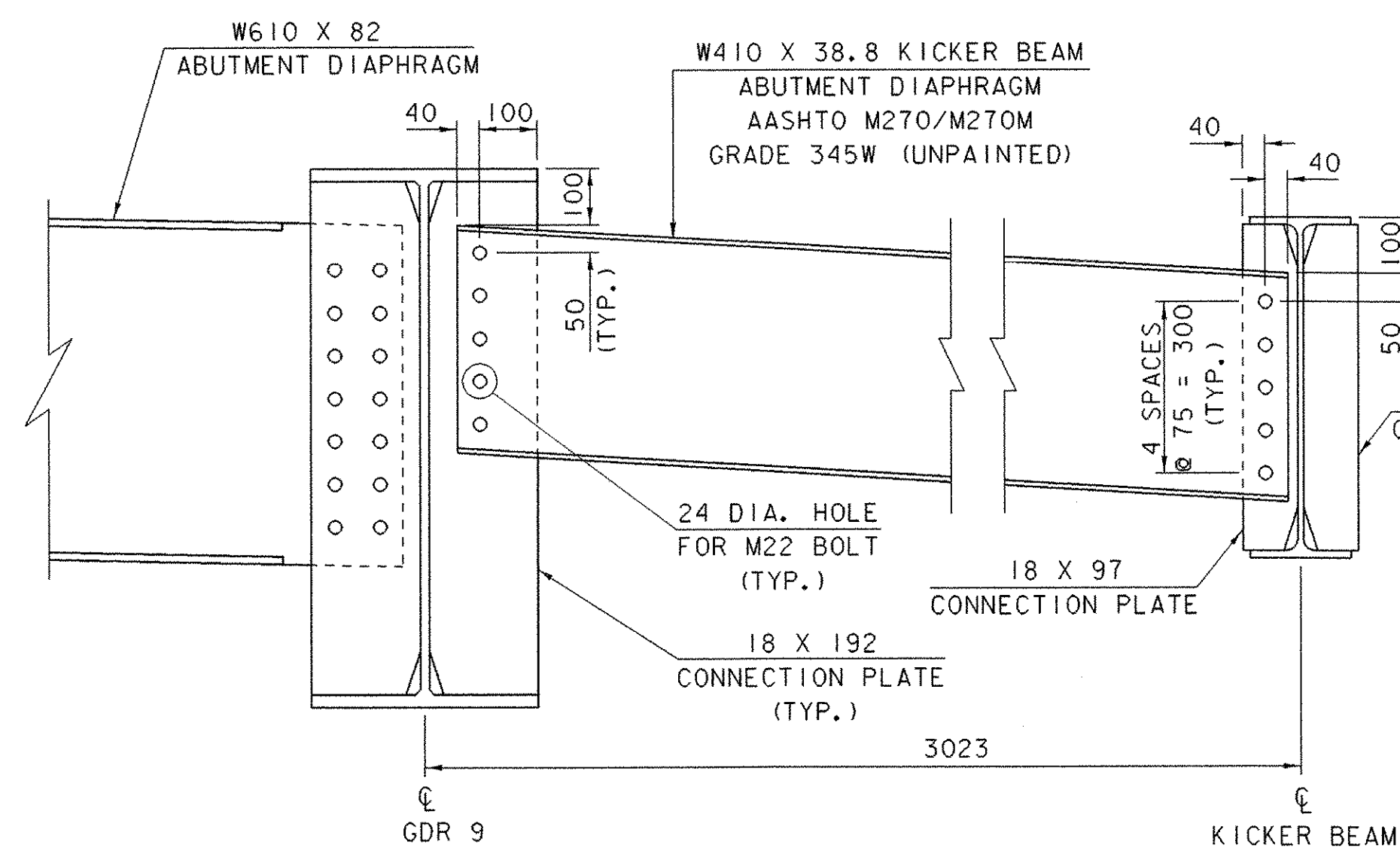
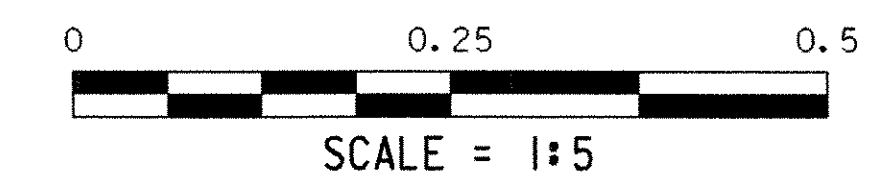
**KICKER BEAM
INTERMEDIATE DIAPHRAGM
CONNECTION PLATE**



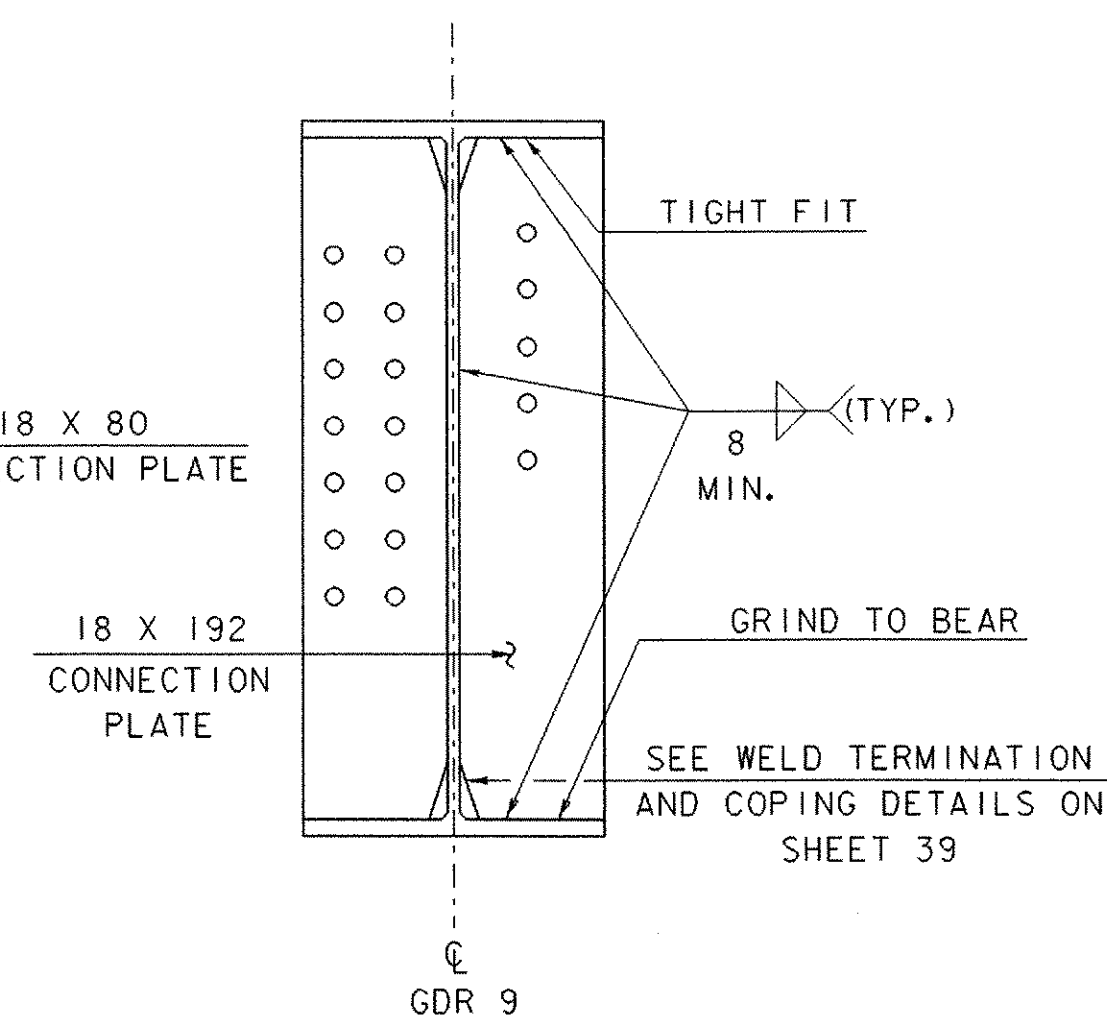
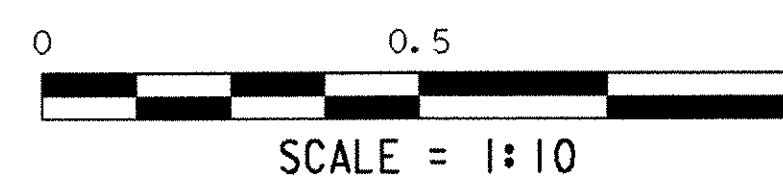
**KICKER BEAM
INTERMEDIATE DIAPHRAGM
CONNECTION PLATE**



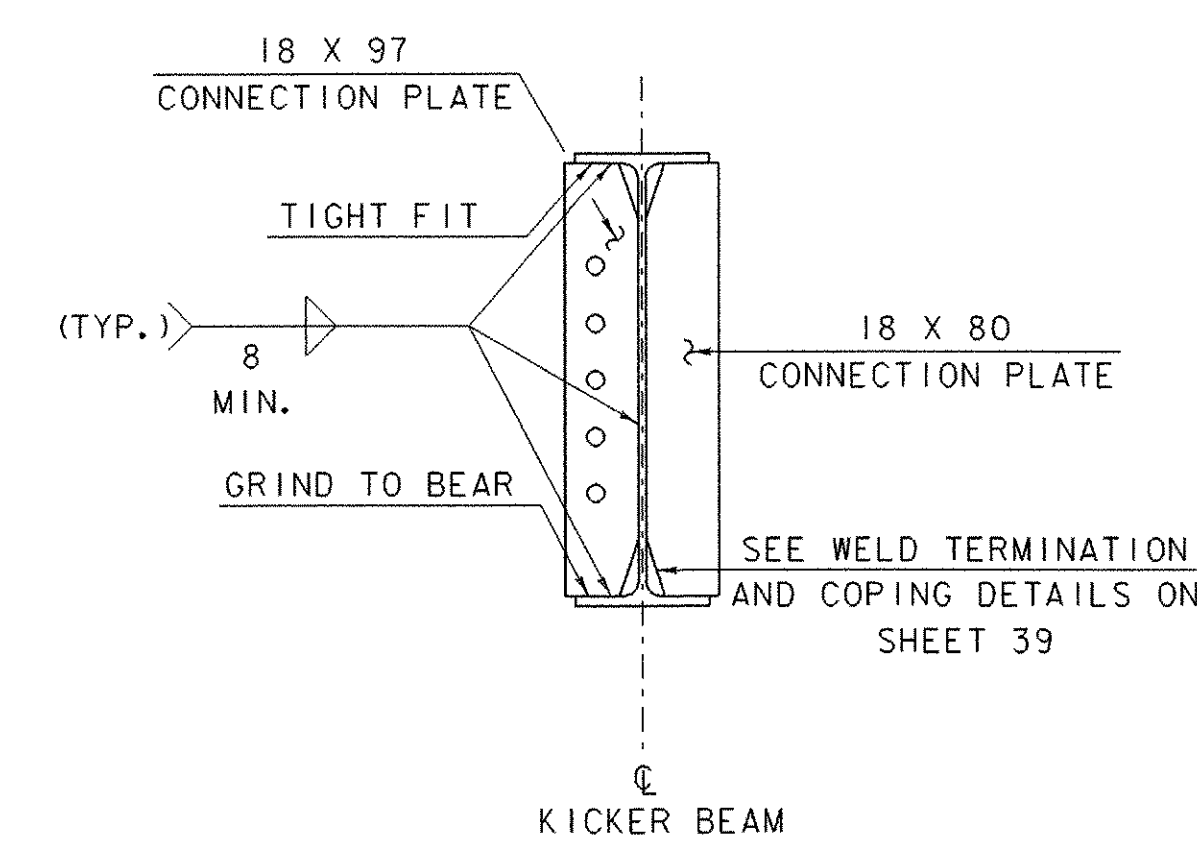
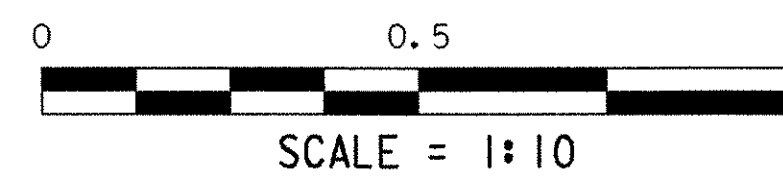
**KICKER BEAM
INTERMEDIATE DIAPHRAGM
CONNECTION DETAIL**



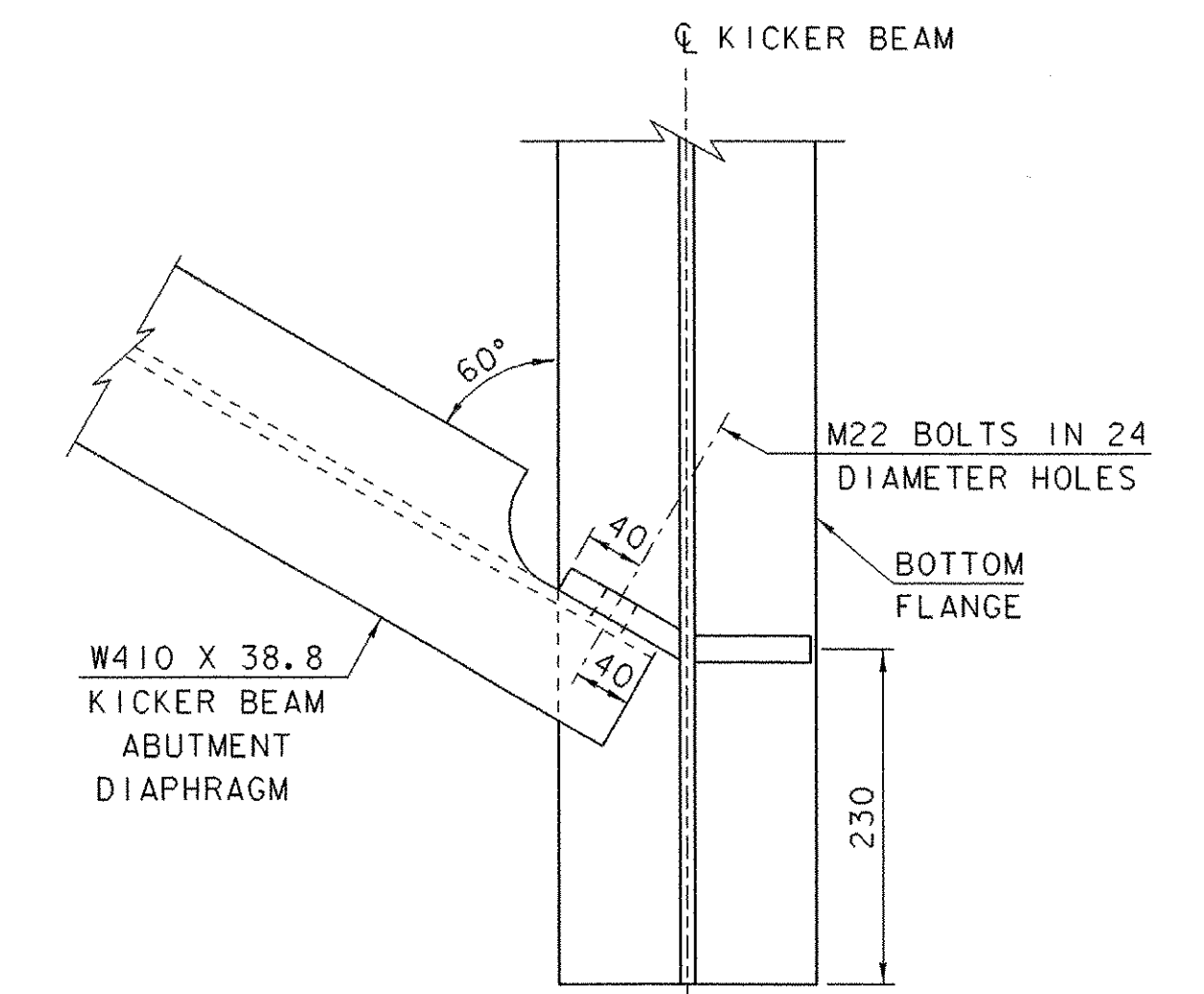
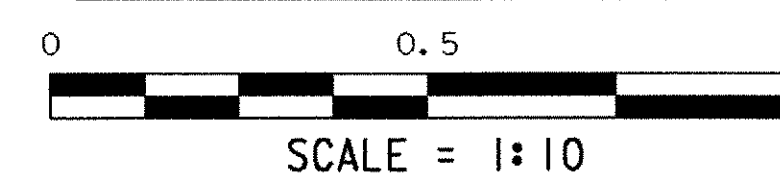
**KICKER BEAM ABUTMENT
DIAPHRAGM CONNECTIONS**



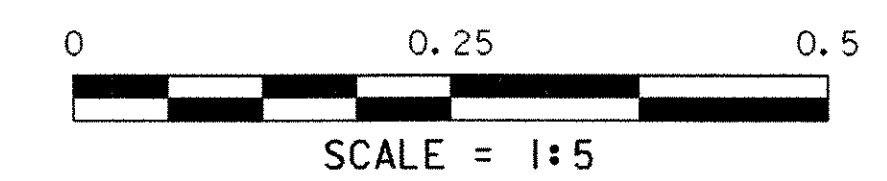
**KICKER BEAM
ABUTMENT DIAPHRAGM
CONNECTION PLATE**



**KICKER BEAM
ABUTMENT DIAPHRAGM
CONNECTION PLATE**



**KICKER BEAM
ABUTMENT DIAPHRAGM
CONNECTION DETAIL**



KICKER BEAM DIAPHRAGM DETAILS

PROJECT NAME:	BRATTLEBORO
PROJECT NUMBER:	BHF 2000 (17)
FILE NAME:	94J078\Structures\sj078kdm.1
PROJECT MANAGER:	R. R. WHITCOMB
DESIGNED BY:	T. SUMNER
PLOT DATE:	06-FEB-2003
DRAWN BY:	B. MAURICE
CHECKED BY:	T. SUMNER
SHEET 41 OF 71	