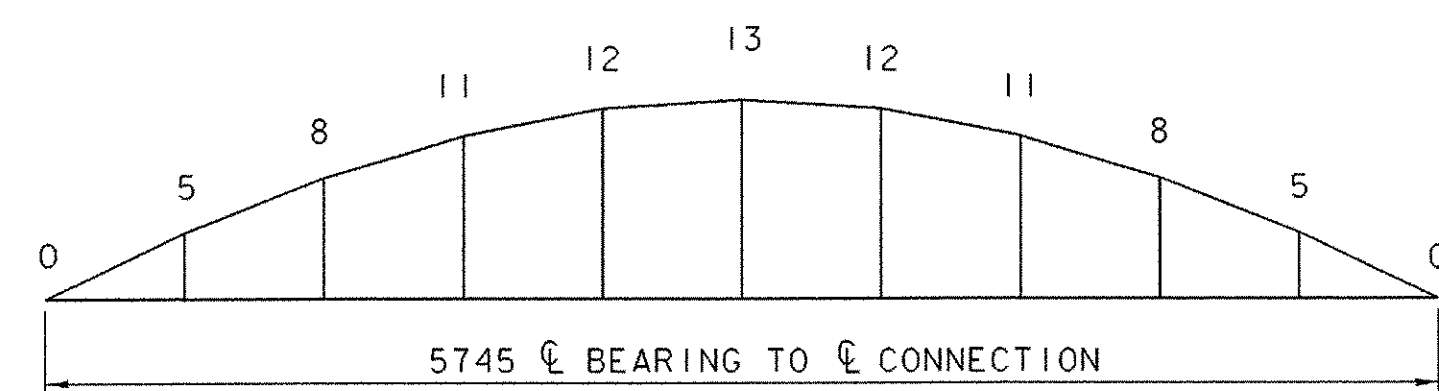
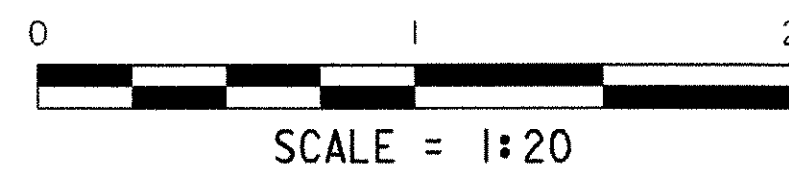
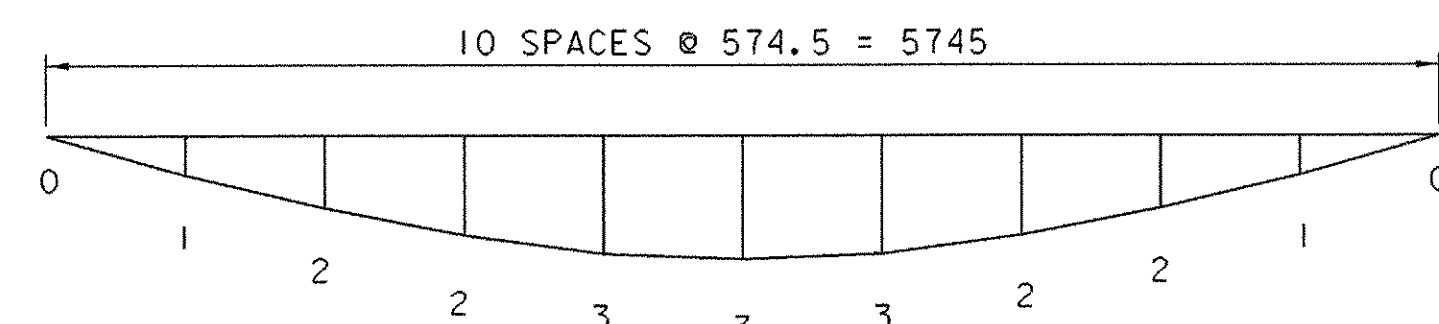


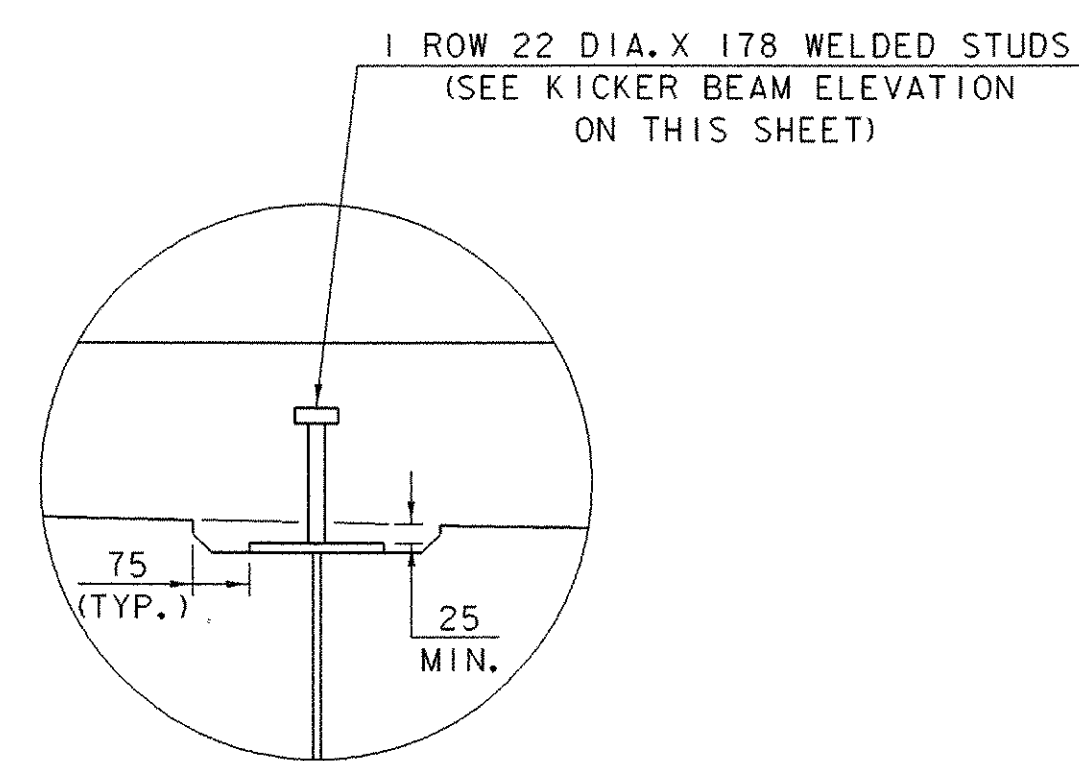
KICKER BEAM ELEVATION



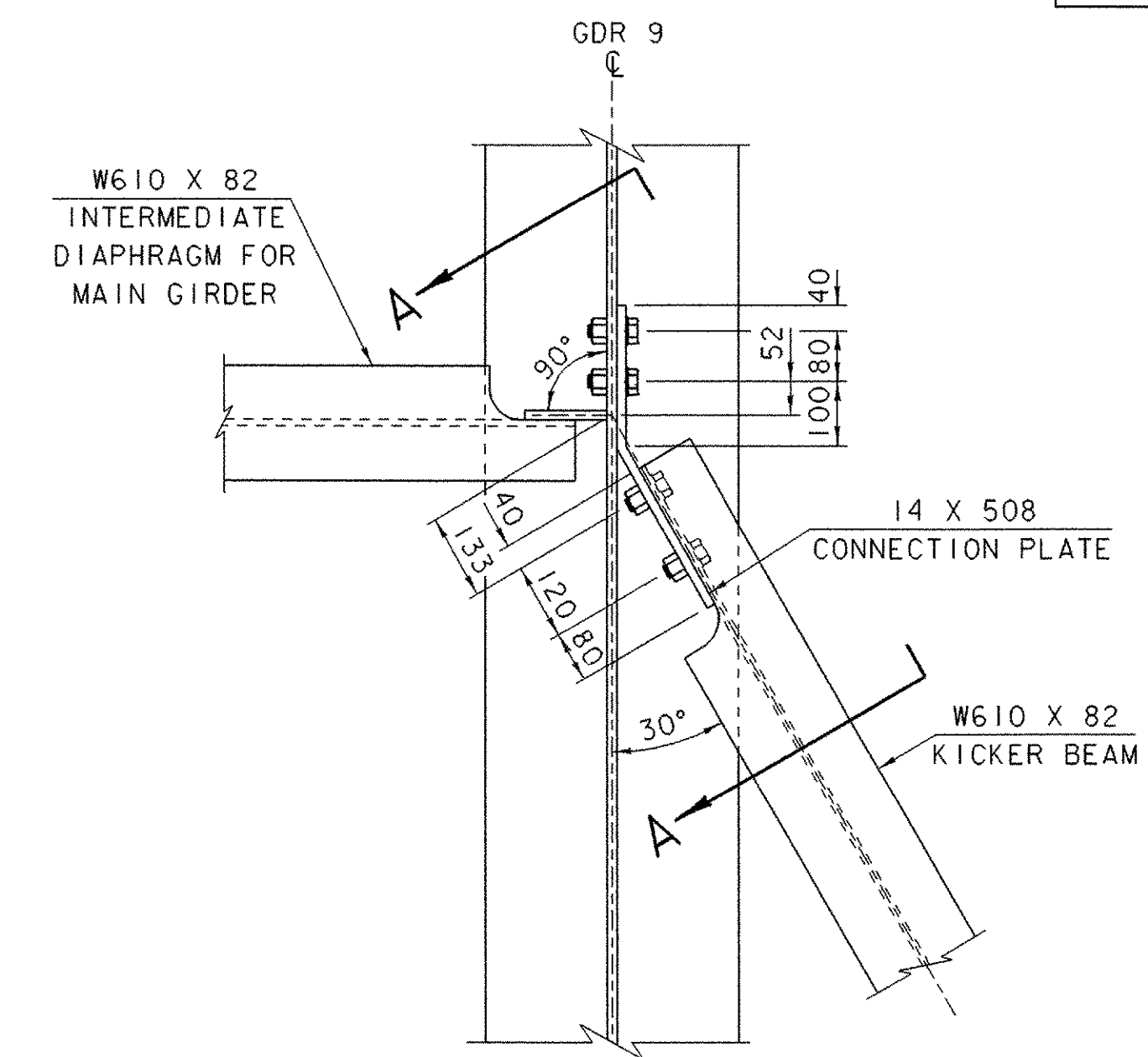
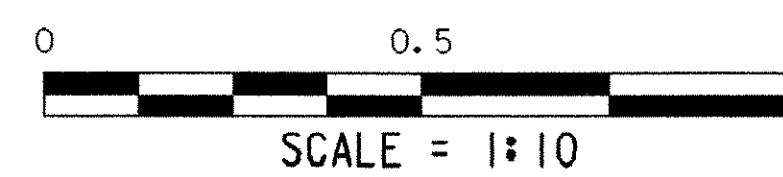
CAMBER DIAGRAM
NOT TO SCALE



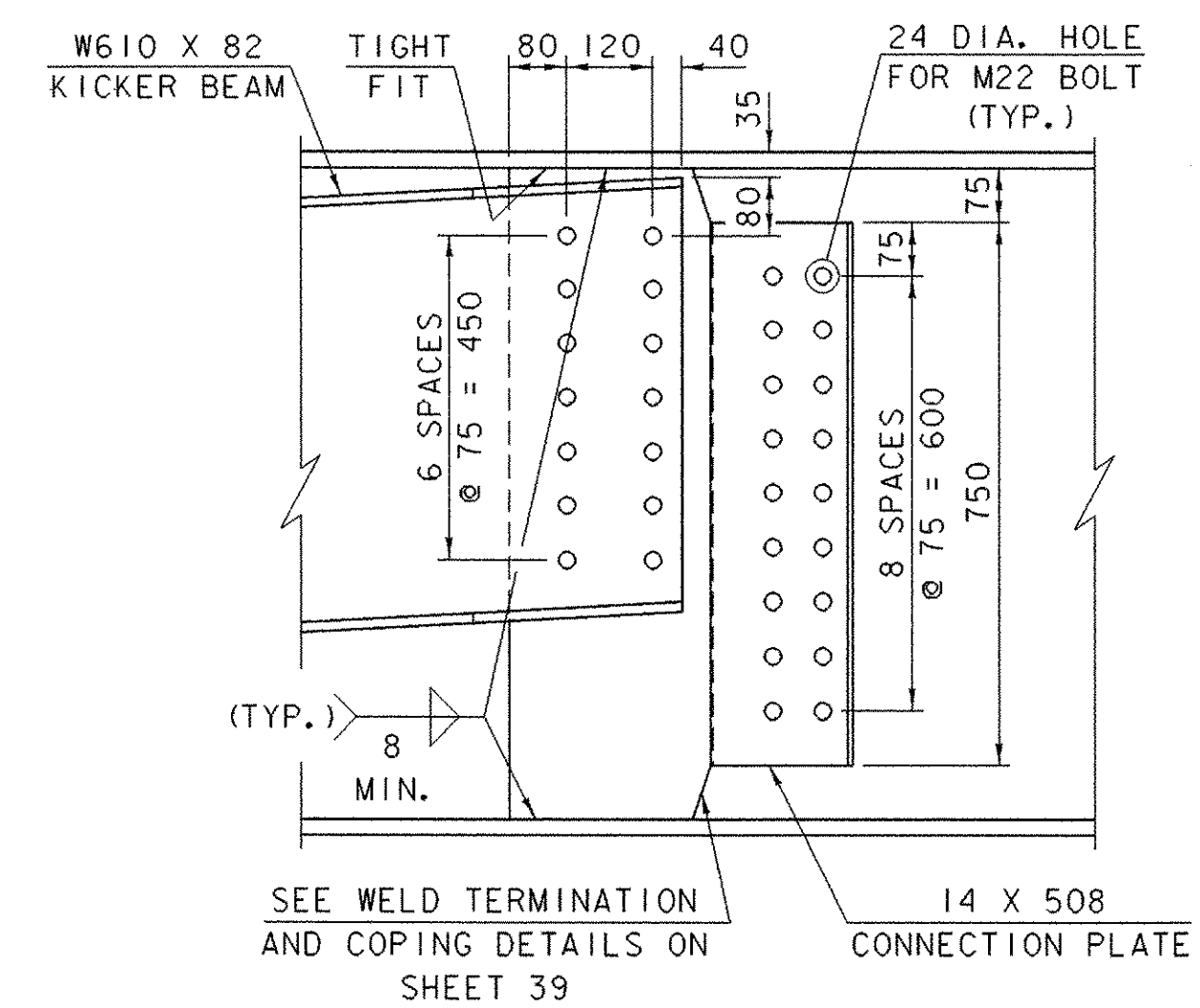
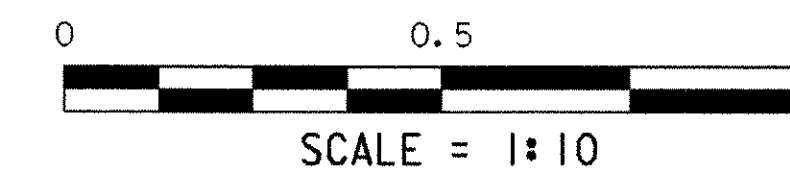
DEAD LOAD DEFLECTION
NOT TO SCALE



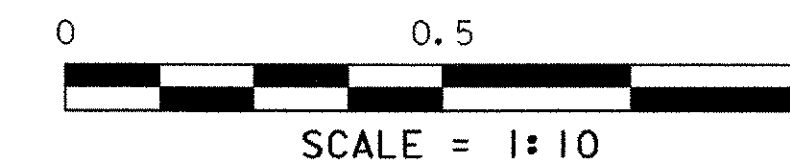
KICKER BEAM
SHEAR STUD DETAIL



KICKER BEAM CONNECTION
TO GIRDER 9 DETAIL



SECTION A-A



KICKER BEAM DETAILS

PROJECT NAME:	BRATTLEBORO
PROJECT NUMBER:	BHF 2000 (17)
FILE NAME:	94J078\Structures\sj078kbd.I
PROJECT MANAGER:	R. R. WHITCOMB
DESIGNED BY:	T. SUMNER
PLOT DATE:	06-FEB-2003
DRAWN BY:	B. MAURICE
CHECKED BY:	T. SUMNER
SHEET 40 OF 71	