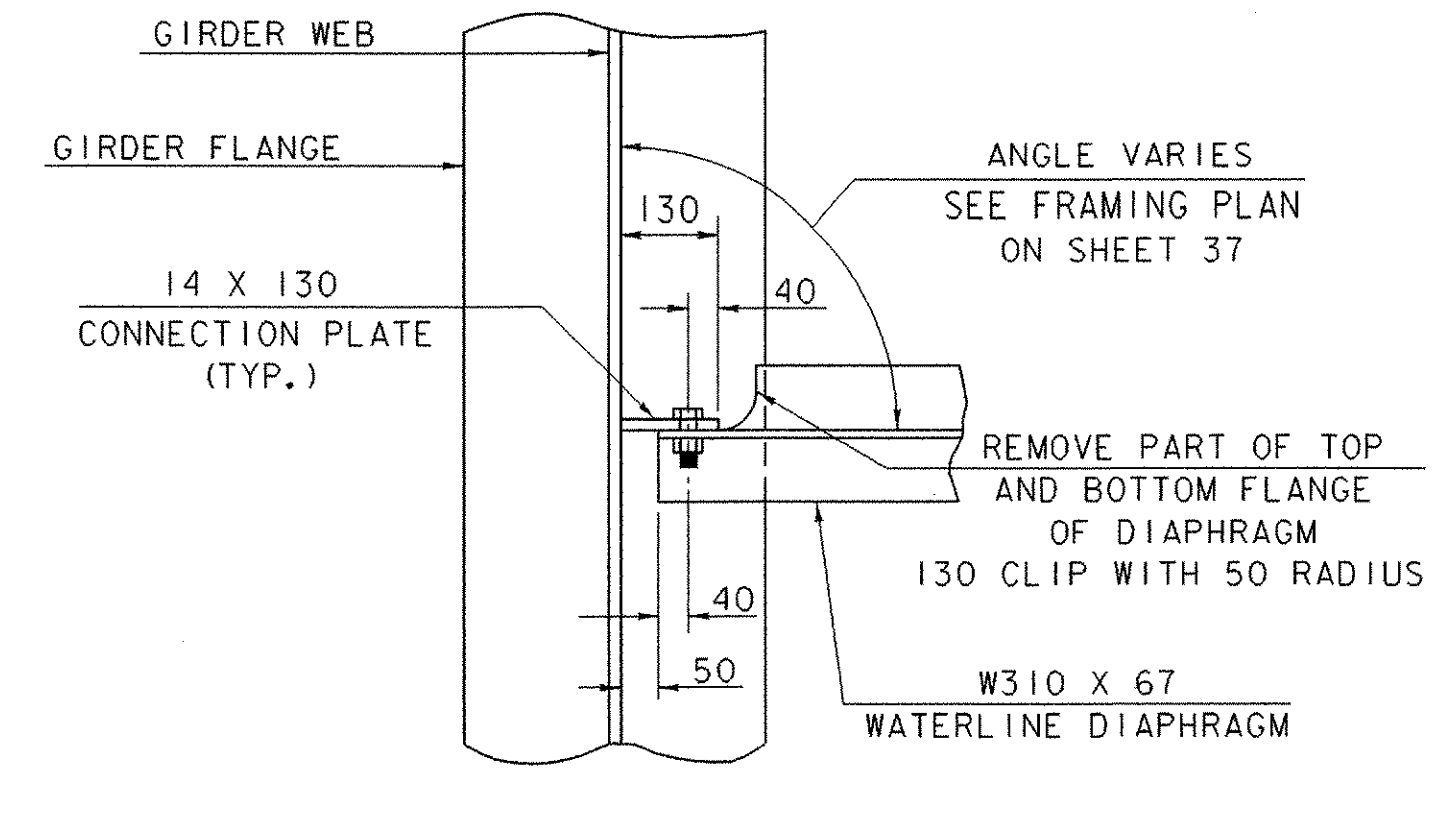
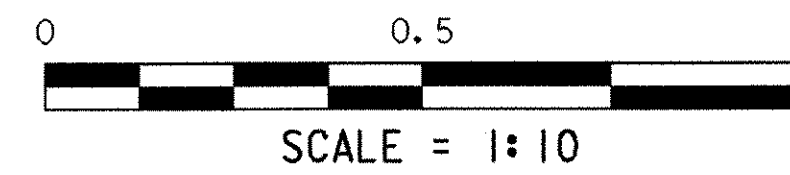
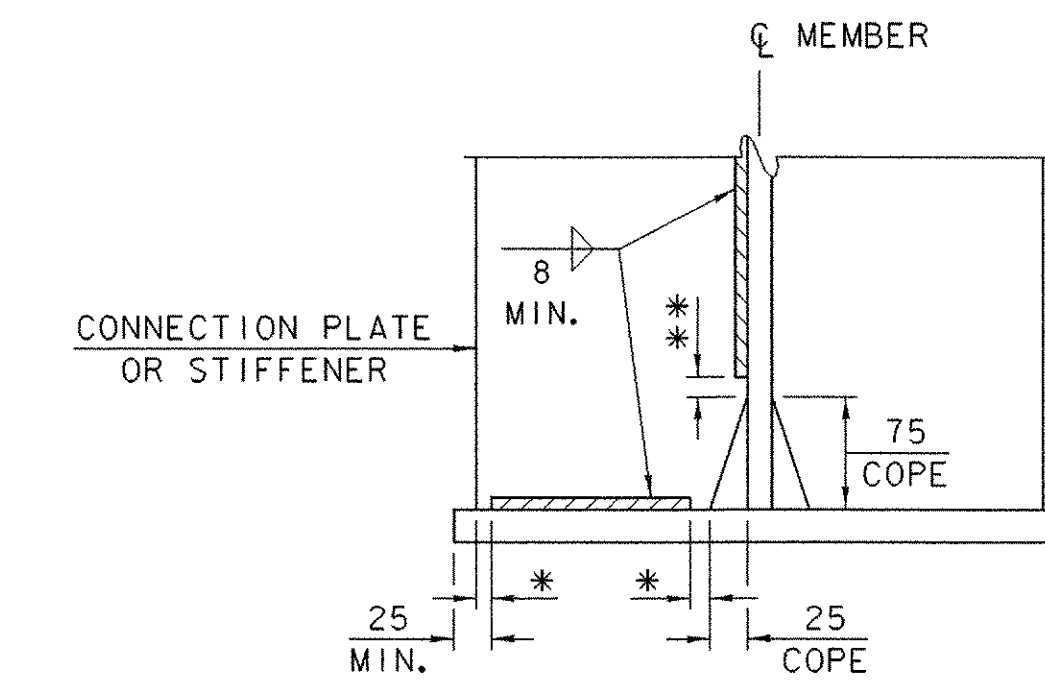
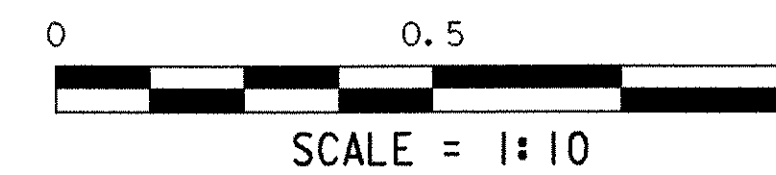


WATERLINE DIAPHRAGM AND WATERLINE CONNECTION PLATE

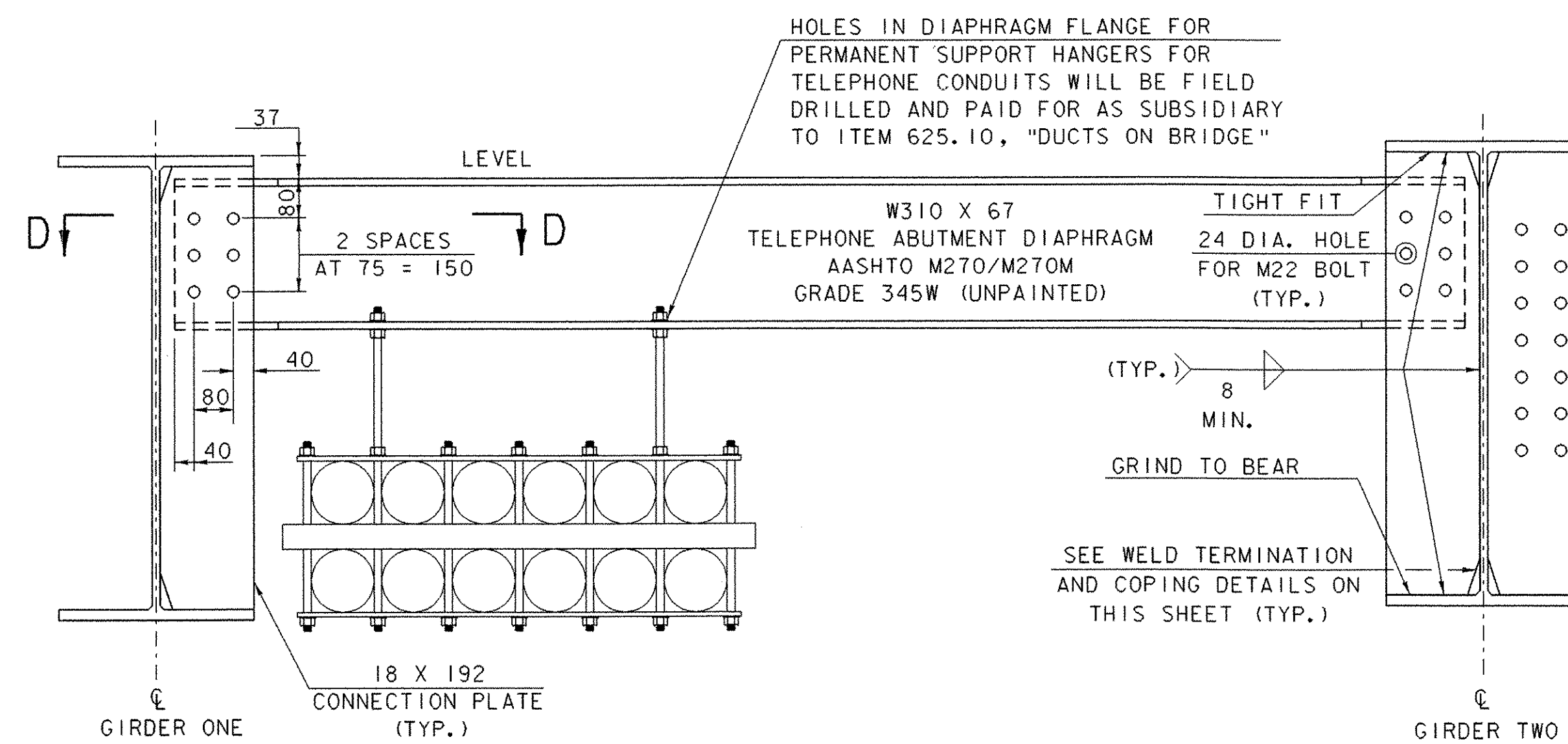


SECTION C-C

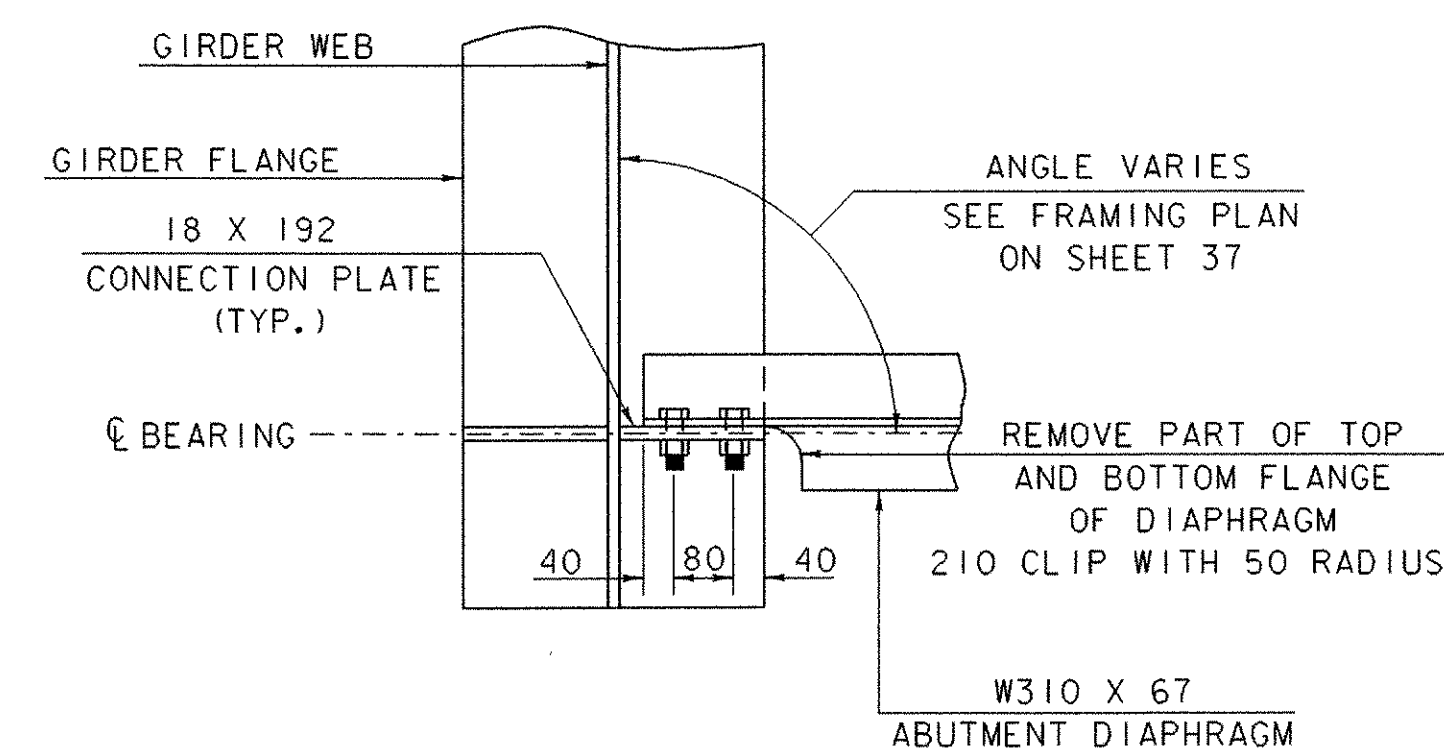
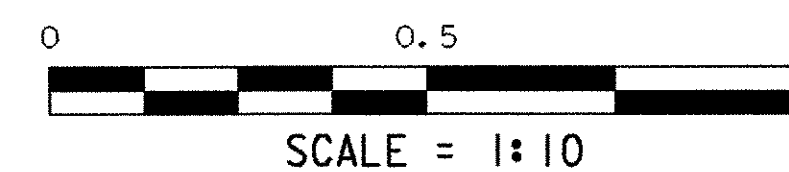


WELD TERMINATION AND COPING DETAIL FOR STEEL MEMBERS

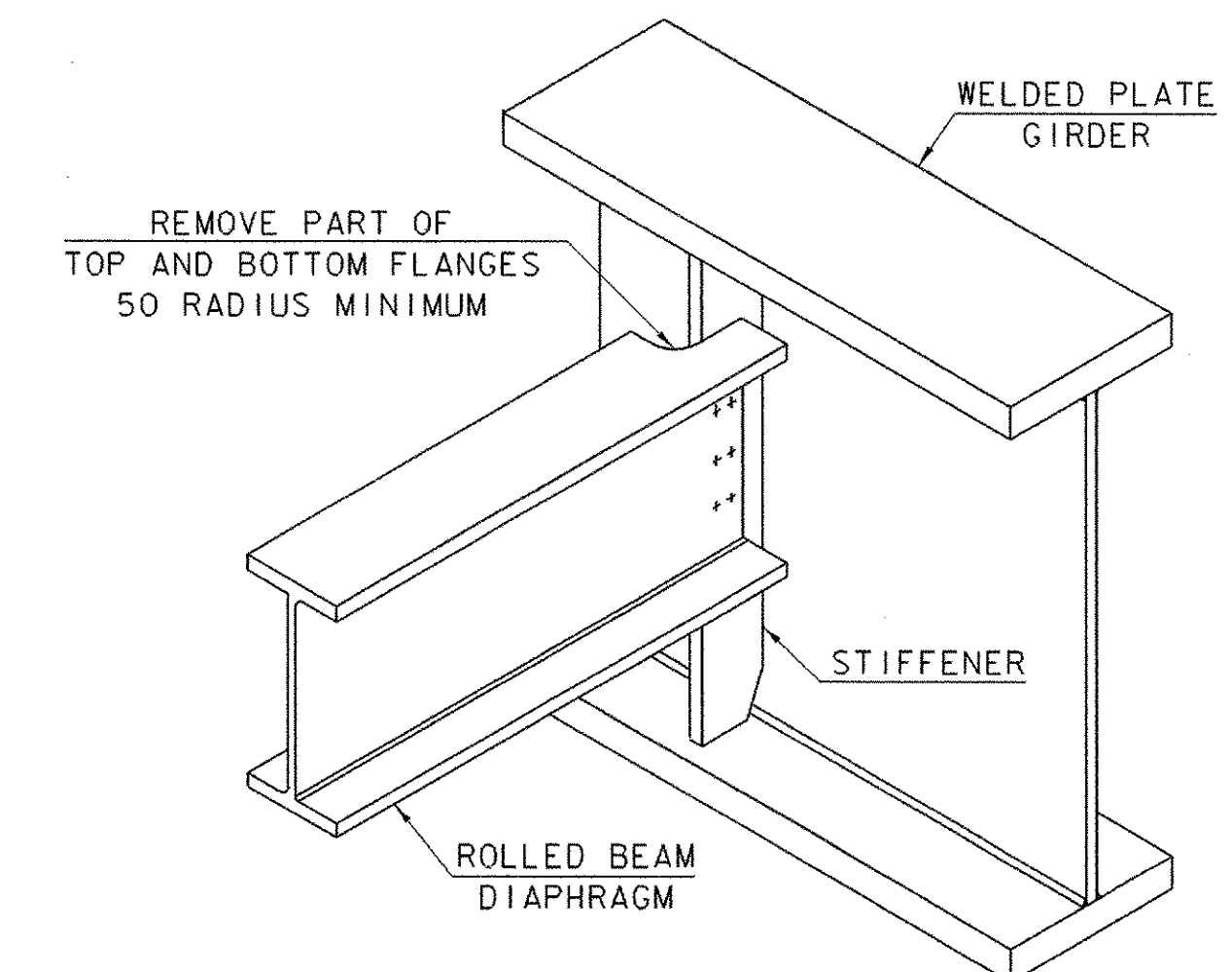
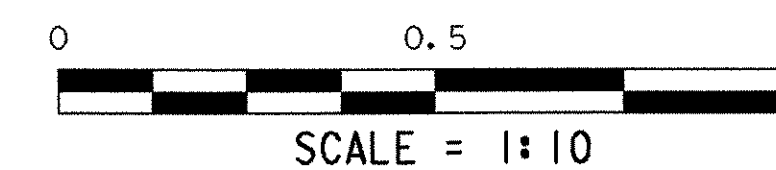
* NO WELD FOR 6 MIN., 12 MAX. (EXCEPT MUST MAINTAIN 25 MIN. FROM EDGE OF FLANGE)
 ** 12 ± 6 FOR CONNECTION PLATE OR STIFFENER TO WEB WELD ONLY.



TELEPHONE ABUTMENT DIAPHRAGM AND TELEPHONE ABUTMENT CONNECTION PLATE BETWEEN GIRDER ONE AND GIRDER TWO



SECTION D-D



SEE CONTRACT DRAWINGS FOR SIZES OF MEMBERS AND CONNECTION DETAILS

ROLLED BEAM USED AS DIAPHRAGM

UTILITY DIAPHRAGM DETAILS

PROJECT NAME: BRATTLEBORO
 PROJECT NUMBER: BHF 2000 (17)

FILE NAME: 94j078\structures\sj078st2.1 PLOT DATE: 06-FEB-2003
 PROJECT MANAGER: R.R. WHITCOMB DRAWN BY: B. MAURICE
 DESIGNED BY: T. SUMNER CHECKED BY: T. SUMNER
 SHEET 39 OF 71

TELEPHONE INTERMEDIATE DIAPHRAGM AND TELEPHONE INTERMEDIATE CONNECTION PLATE DETAILS WILL BE THE SAME AS TELEPHONE ABUTMENT DIAPHRAGM AND TELEPHONE ABUTMENT CONNECTION PLATES BETWEEN GIRDER ONE AND GIRDER TWO EXCEPT FOR GRIND TO BEAR CAN BE REPLACED WITH TIGHT FIT.