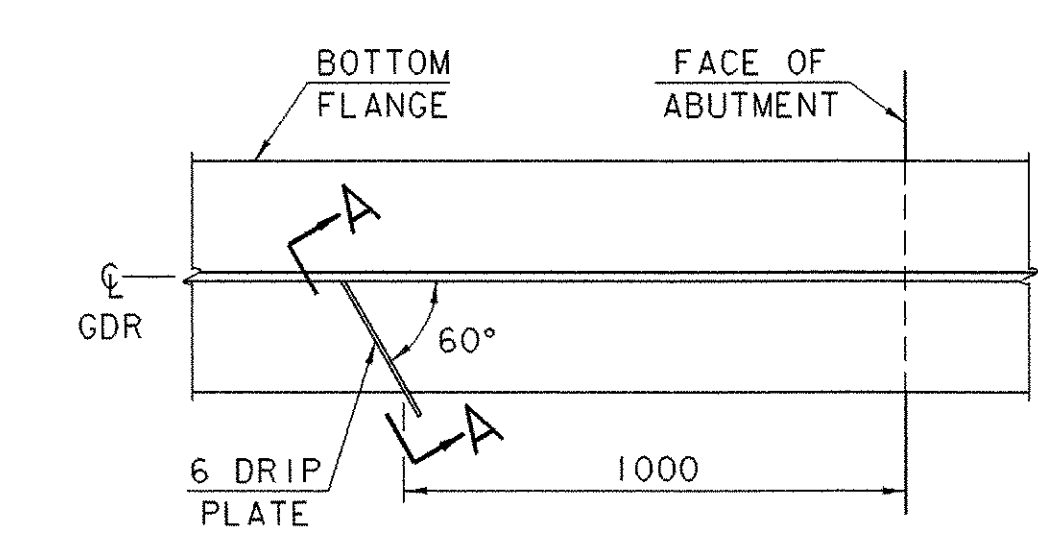


- A = 73° 30' 15"
- B = 76° 40' 36"
- C = 79° 55' 42"
- D = 83° 14' 49"
- E = 86° 36' 42"
- F = 106° 29' 45"
- G = 103° 19' 24"
- H = 100° 04' 18"
- I = 96° 45' 11"
- J = 93° 23' 18"

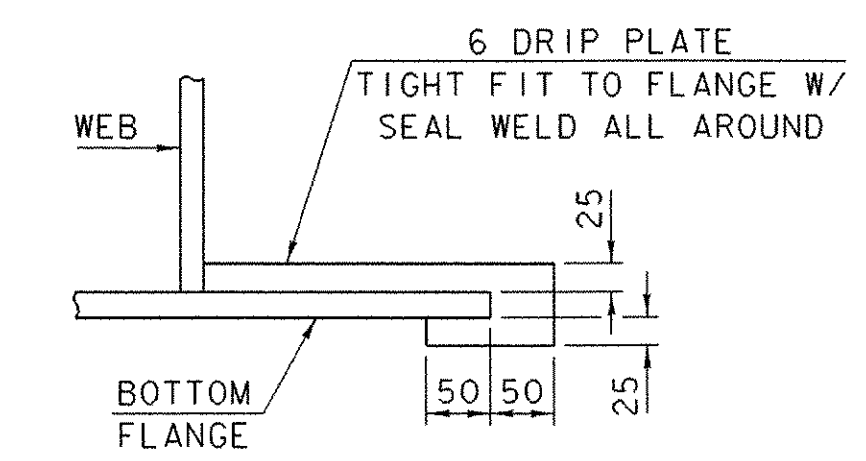
* ADDITIONAL WATERLINE DIAPHRAGM CONNECTION PLATES REQUIRED BETWEEN GIRDERS 4 AND 5 IN ORDER TO ACCOMMODATE WATERLINE RELOCATION AS DETERMINED IN THE FIELD. (SAME LOCATION AS SHOWN BETWEEN GIRDERS 5 AND 6)

FRAMING PLAN

SCALE = 1:100



DRIP PLATE PLAN



SECTION A-A

NOTE:
DRIP PLATES SHALL BE PLACED ON OUTSIDE EDGE OF FASCIA GIRDERS ON THE HIGH SIDE OF BOTH ABUTMENTS OR AS INDICATED ON THE PLANS.

FRAMING PLAN

PROJECT NAME:	BRATTLEBORO
PROJECT NUMBER:	BHF 2000 (17)
FILE NAME:	94J078\Structures\sj078fp.i
PROJECT MANAGER:	R. R. WHITCOMB
DESIGNED BY:	T. SUMNER
PLOT DATE:	06-FEB-2003
DRAWN BY:	B. MAURICE
CHECKED BY:	T. SUMNER
SHEET 37 OF 71	