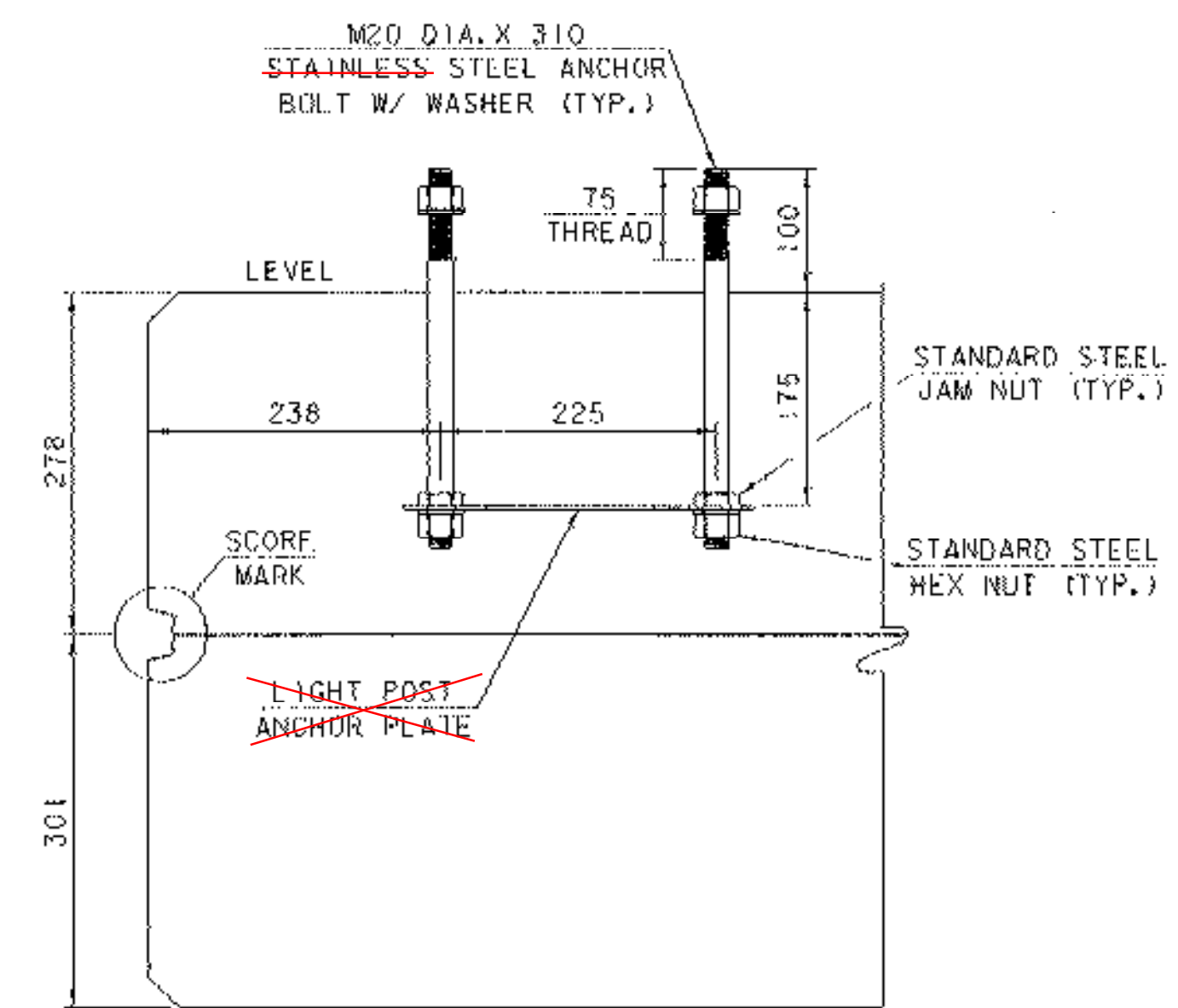
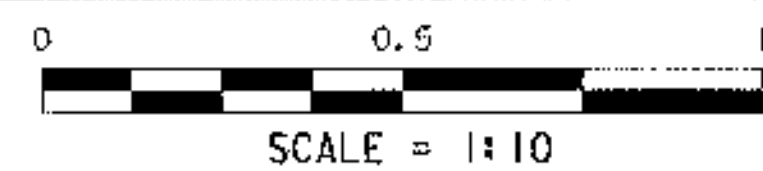
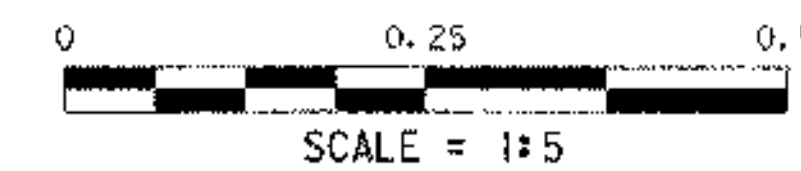


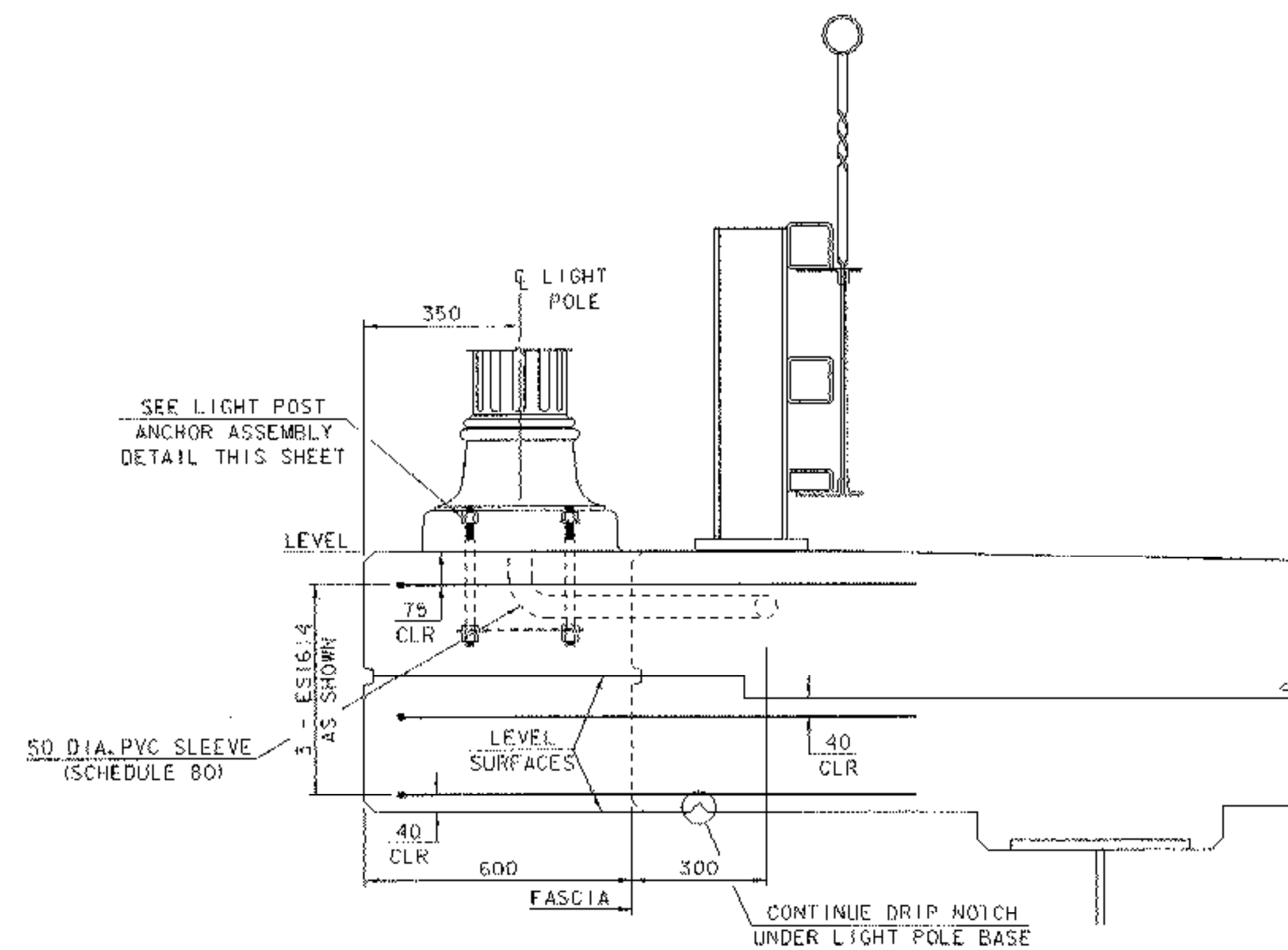
LIGHT POLE BASE REINFORCING DETAIL



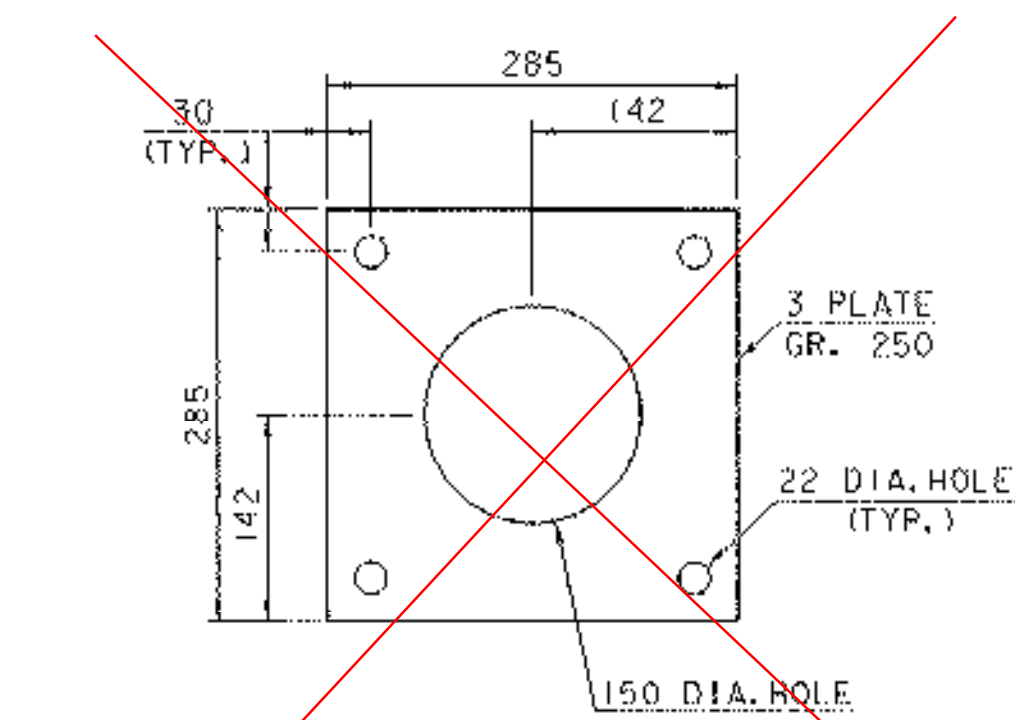
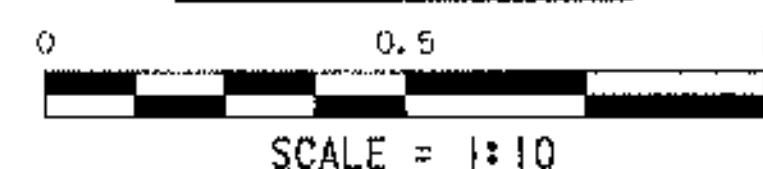
LIGHT POST ANCHOR ASSEMBLY



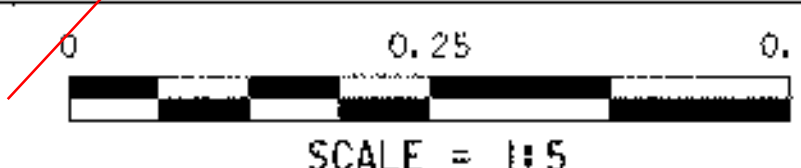
ANCHOR BOLTS DRILLED AND EPOXIED INTO PLACE



SECTION A-A



LIGHT POST ANCHOR PLATE



LIGHT POST BASE DETAILS

PROJECT NAME:	BRATTLEBORO	PLOT DATE:	06-FEB-2003
PROJECT NUMBER:	BHF 2000 (17)	DRAWN BY:	G. ROY
FILE NAME:	94j078\Structures\sj078lbd.l	CHECKED BY:	T. SUMNER
PROJECT MANAGER:	R. R. WHITCOMB	DESIGNED BY:	T. SUMNER
		SHEET 35 OF 71	