

- LEGEND**
- /// — PAVEMENT MARKING REMOVAL
 - R&S — REMOVE AND SALVAGE
 - S — SALVAGE
 - N — NEW
 - R — REMOVE
 - RET — RETAIN

REMOVAL OF EXISTING PAVEMENT MARKINGS
 19+986.1 RT. - 20+005.0 RT. TEMP. EDGE LINE

- DURABLE 100mm WHITE LINE**
- 9+980.0 LT. - 10+028.7 LT. EDGE LINE
 - 9+980.0 LT. - 9+990.7 LT. TRAVEL LANE
 - 9+990.7 LT. - 10+009.6 LT. DOTTED LINE
 - 9+985.5 RT. - 10+010.0 RT. DOTTED LINE
 - 10+010.0 RT. - 10+036.7 RT. TRAVEL LANE
 - 9+980.0 RT. - 20+035.4 LT. EDGE LINE
 - 10+035.3 LT. - 10+104.5 LT. EDGE LINE
 - 10+044.6 LT. - 10+068.7 LT. TRAVEL LANE
 - 10+057.3 LT. - 10+070.4 RT. DOTTED LINE
 - 10+068.7 LT. - 10+081.6 LT. DOTTED LINE
 - 10+070.4 RT. - 10+090.0 RT. TRAVEL LANE
 - 19+986.1 RT. - 20+034.1 RT. EDGE LANE
 - 20+007.0 RT. - 20+031.9 RT. TRAVEL LANE
 - 20+041.0 RT. - 10+090.0 RT. EDGE LANE
- ① S. MAIN ST. 6.2m TRAVEL LANE
 ① S. MAIN ST. 6.2m EDGE LANE
 ② CANAL ST. 10.0m TRAVEL LANE
 ② CANAL ST. 10.0m EDGE LANE
 20+003 - 20+021 LT EDGELINE

- DURABLE 100mm YELLOW LINE**
- 9+980.0 RT. - 10+030.3 LT. (DOUBLE)
 - 10+045.7 LT. - 10+090.0 LT. (DOUBLE)
 - 20+005.0 LT. - 20+031.6 LT. (DOUBLE)
- ① S. MAIN ST. 6.2m (DOUBLE)
 ② CANAL ST. 10.0m (DOUBLE)

- DURABLE 600mm STOP BAR**
- 20+031.3 LT. - 20+031.3 RT.
- ① S. MAIN ST. 6.2m

- DURABLE CROSSWALK WITH DIAGONAL LINES**
- 10+028.4 LT. - 10+047.0 RT.
 - 039 20+033.6 LT. - 20+036.2 RT.
- ④ CANAL ST. 17m
 10+05 LT - RT

- REMOVING SIGNS**
- 9+984.8 RT. (1 EA.)
 - 10+015.8 RT. (2 EA.)
 - 10+019.0 LT. (2 EA.)
 - 10+096.5 RT. (1 EA.)
 - 10+101.7 RT. (1 EA.)
 - 20+006.3 RT. (2 EA.)
 - 20+007.6 LT. (2 EA.)
 - 20+036.2 RT. (4 EA.)

- DURABLE LETTERS OR SYMBOLS**
- 10+009.7 RT. ONLY
 - 10+027.6 RT. ONLY
 - 10+051.2 LT. ONLY
 - 10+067.8 LT. ONLY
 - 10+071.4 RT. ONLY
 - 20+008.3 RT. ONLY
 - ① S. MAIN ST. (2 EA.) ONLY
 - ② CANAL ST. (2 EA.) ONLY 1EA.

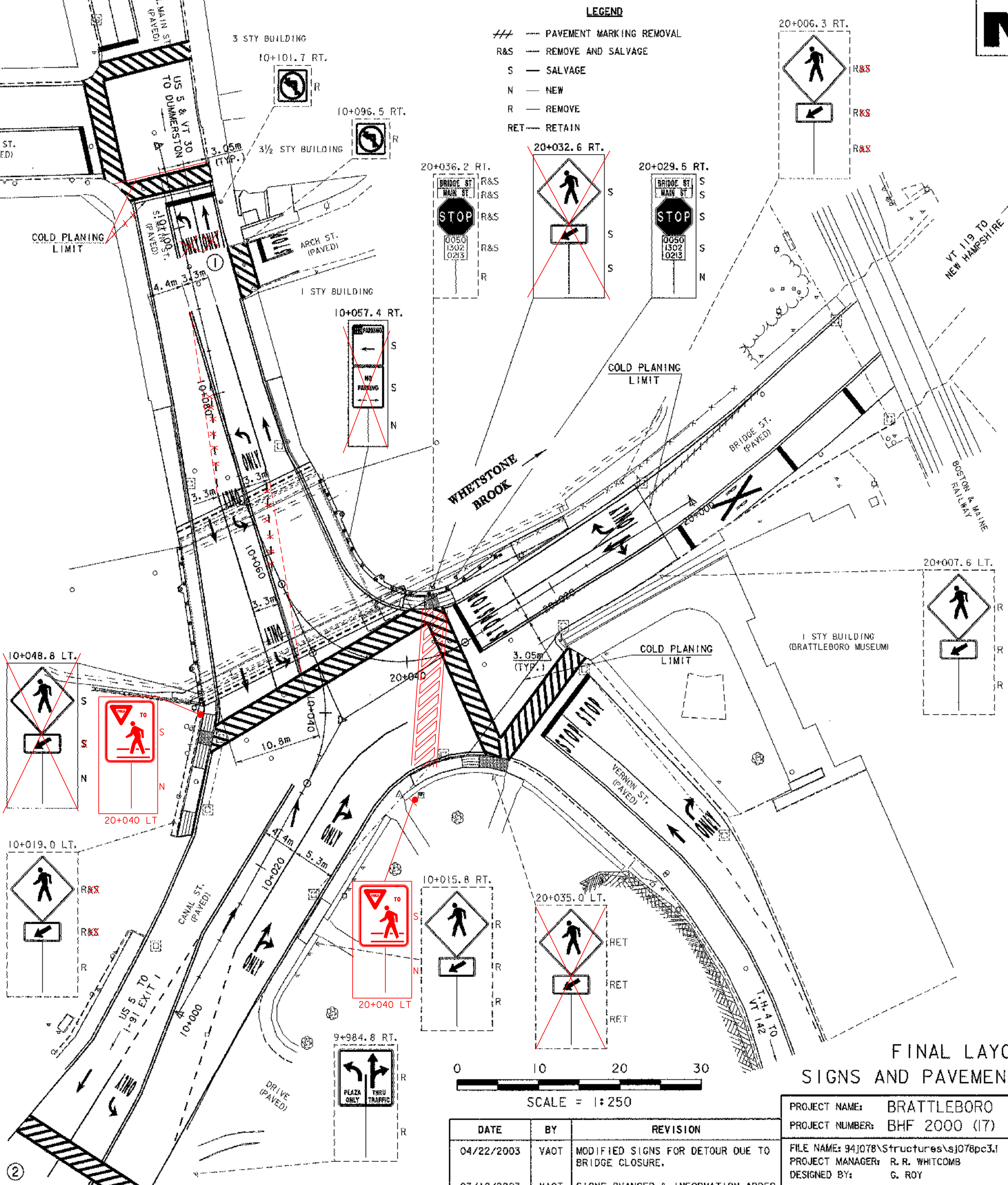
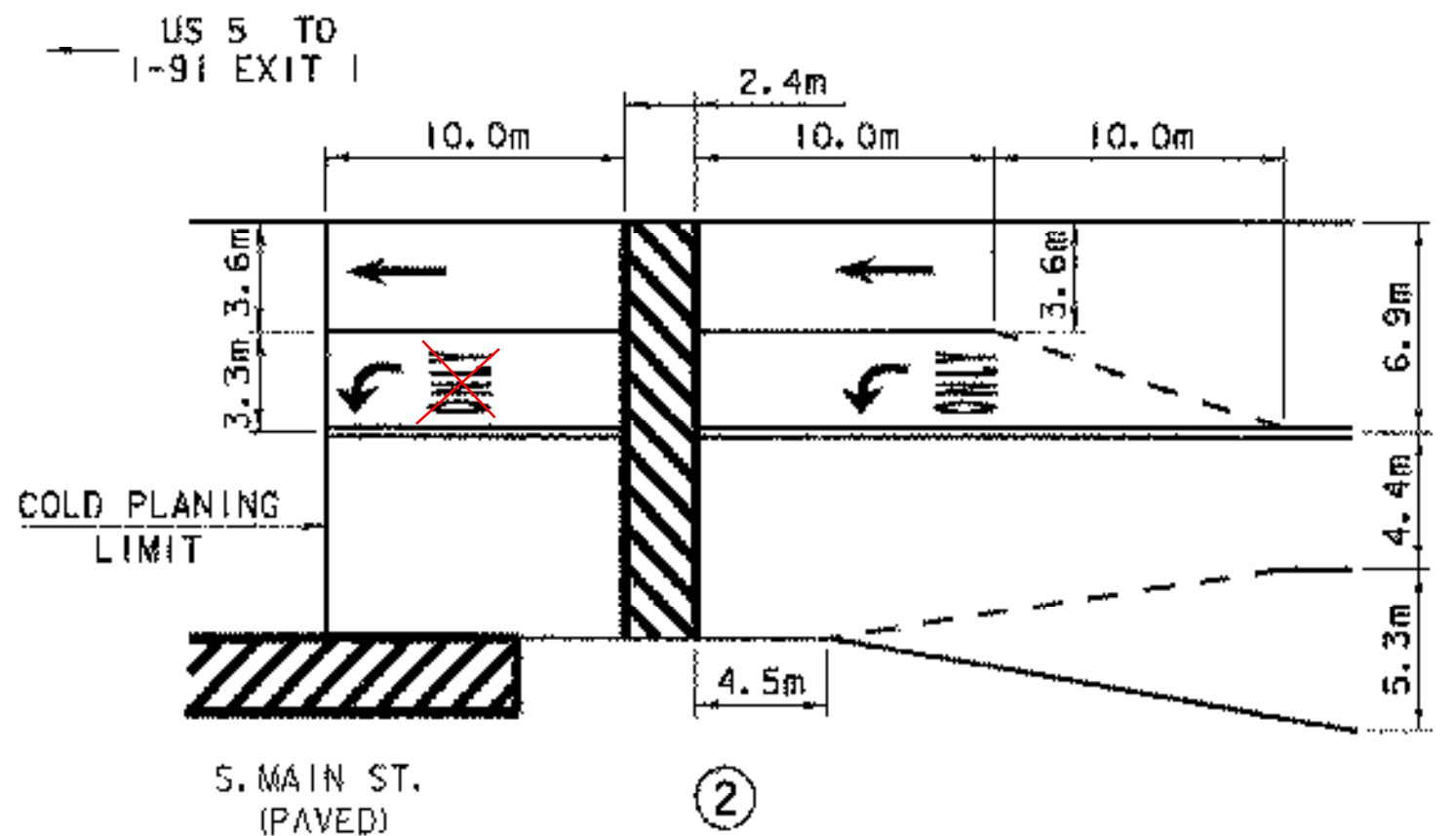
- 20+011.3 RT. ↗
- 10+048.0 LT. ↘
- 10+064.7 LT. ↘
- 10+074.5 RT. ↘
- ① S. MAIN ST. ↗
- ② CANAL ST. (2 EA.) ↗

- 10+012.8 CL. ↗
- 10+027.6 RT. ↗
- 10+048.3 LT. ↗
- 10+065.4 LT. ↗
- 10+074.0 RT. ↗
- ① S. MAIN ST. ↗
- ② CANAL ST. (2 EA.) ↗
- 10+013.0 RT. ↗
- 10+030.8 RT. ↗
- 20+011.3 CL. ↗
- 20+028.6 RT. ↗
- 20+028.6 CL. ↗

- ERECTING SALVAGED SIGNS**
- 10+048.8 LT. (2 EA.)
 - 10+057.4 RT. (2 EA.)
 - 20+029.5 RT. (4 EA.)
 - 20+032.6 RT. (2 EA.)

- SETTING SALVAGED POSTS**
- 20+032.6 RT. (1 EA.)

NOTE:
 SEE COLD PLANING LIMITS
 ON SHEET 59 BEFORE PLACING
 DURABLE PAVEMENT MARKINGS.



**FINAL LAYOUT
 SIGNS AND PAVEMENT MARKINGS**

DATE	BY	REVISION
04/22/2003	VAOT	MODIFIED SIGNS FOR DETOUR DUE TO BRIDGE CLOSURE.
03/10/2003	VAOT	SIGNS CHANGED & INFORMATION ADDED.

PROJECT NAME: BRATTLEBORO	PLOT DATE: 24-MAY-2004
PROJECT NUMBER: BHF 2000 (17)	DRAWN BY: G. ROY
FILE NAME: 94J078\Structures\sj078pc3.1	CHECKED BY: T. SUMNER
PROJECT MANAGER: R. R. WHITCOMB	SHEET 15 OF 71
DESIGNED BY: G. ROY	