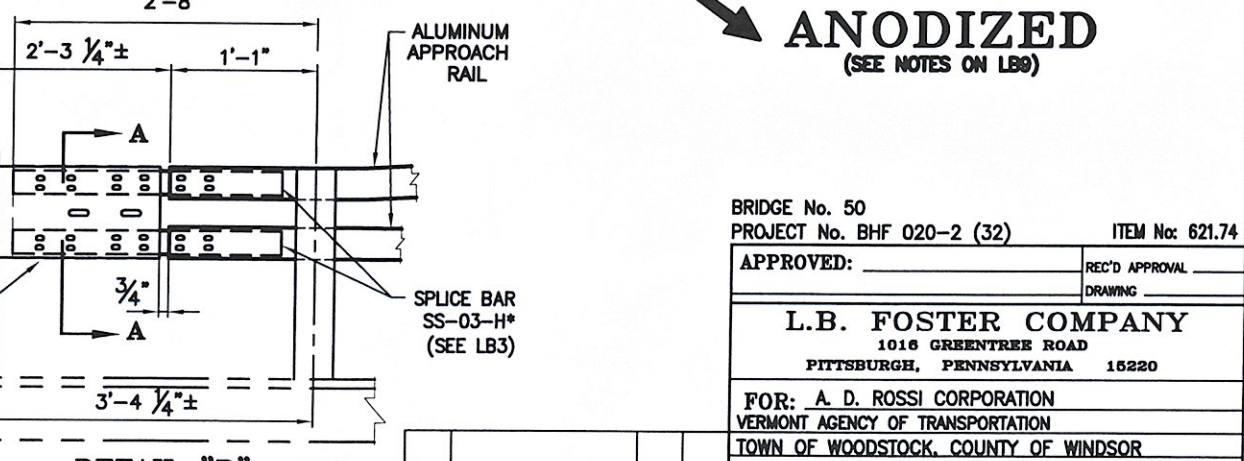
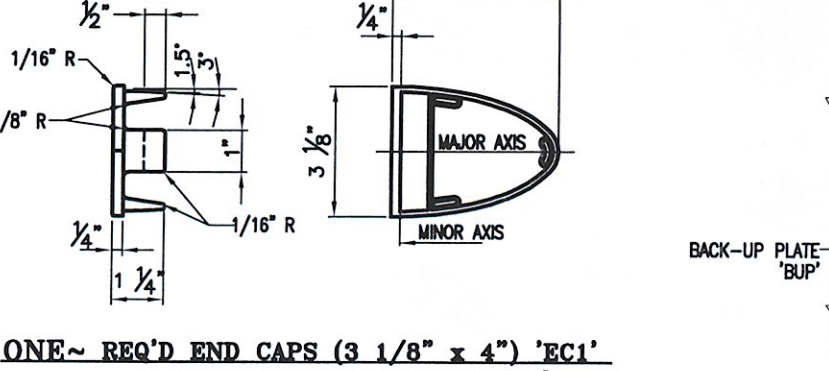
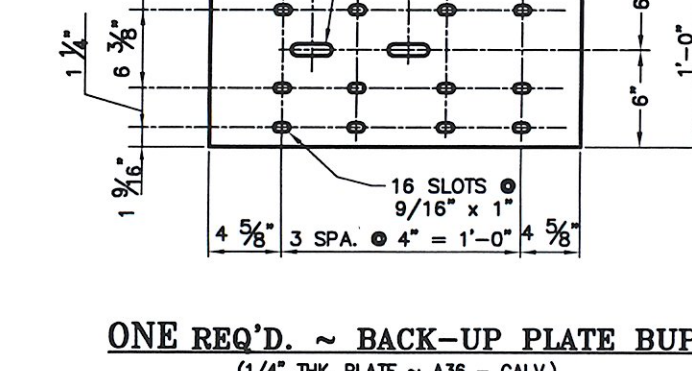
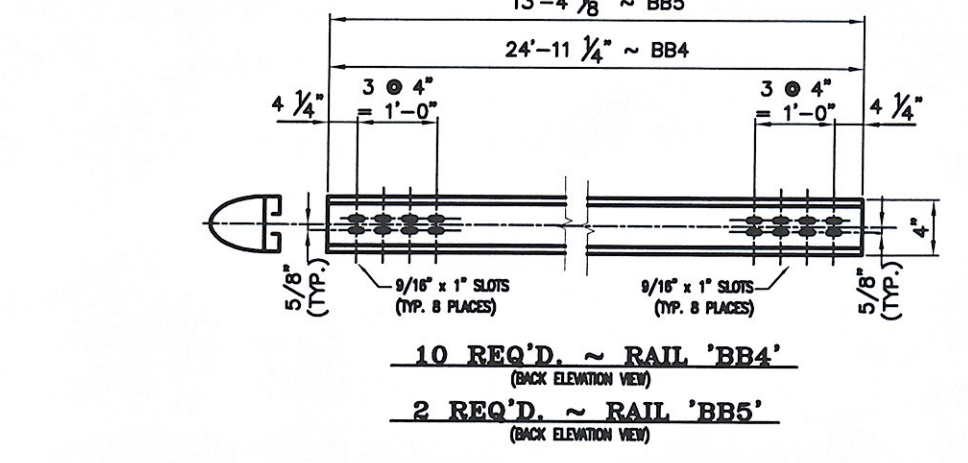


SHOP DRAWING REVIEW

REVIEWED AS REQUIRED BY THE CONSTRUCTION CONTRACT DOCUMENTS AND APPROVED, BUT ONLY FOR CONFORMANCE TO THE DESIGN CONCEPT OF THE WORK, AND SUBJECT TO FURTHER LIMITATIONS AND REQUIREMENTS OF THE CONTRACT DOCUMENTS, BEST ENGINEERING PRACTICE, AND THE CONTRACT DOCUMENTS. THE CONTRACTOR IS RESPONSIBLE FOR VERIFYING THE ACCURACY AND CORRELATING ALL QUANTITIES AND DIMENSIONS; SEE NOTES REGARDING RAIL 'BRS' TECHNIQUES OF CONSTRUCTION; COORDINATING HIS WORK WITH THE APPROPRIATE TRADES; AND PERFORMING HIS WORK IN A SAFE AND SATISFACTORY MANNER.

VHB Vermont Hungen Brustin, Inc.
Engineers, Planners, and Geodesists
6th Stafford Farm, Milton Pk.
Bedford, NH 03110 (603) 664-6988

Job Number: 51330
Reviewed By: L. CARDNER
Date: 3/15/07



BRIDGE No. 50	ITEM No. 621.74
PROJECT No. BHF 020-2 (32)	DATE APPROVED: (drawing)
L.B. FOSTER COMPANY	
1618 GREENBRIER ROAD PITTSBURGH, PENNSYLVANIA 15220	
FOR: A. D. ROSSI CORPORATION VERMONT AGENCY OF TRANSPORTATION TOWN OF WOODSTOCK, COUNTY OF WINDSOR E-LINE SIDE-UP ALUM. BRIDGE RAIL FOR IS. STE. 1 OVER THE OTTAWAQUECHE RIVER - MISC. APPROACH DETAILS	
DATE: 01/21/07, JOB No. AR0381	
CHECKED: 01/28/07, DRAWING: LB17	