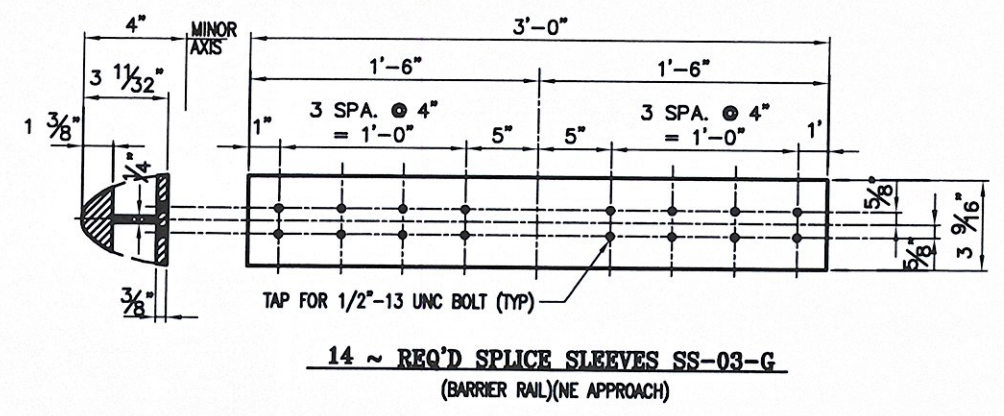
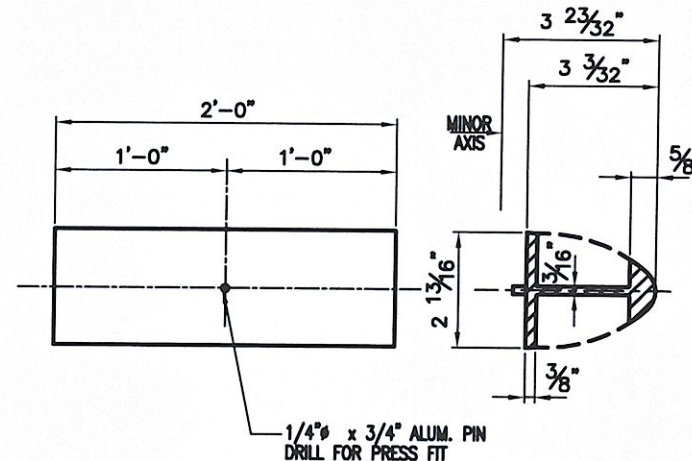
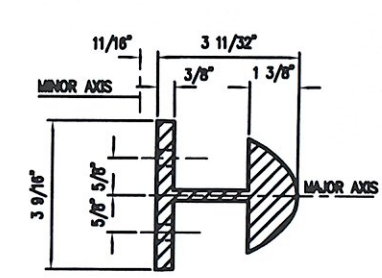


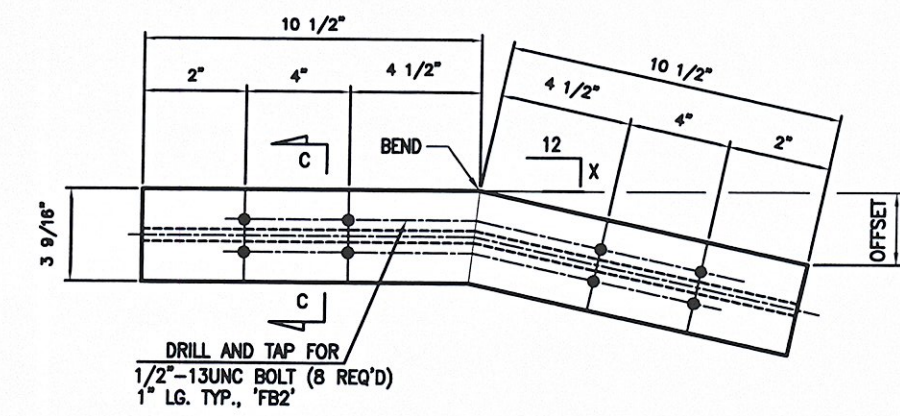
HANDRAIL SPLICES				
MK.	X	QTY.	OFFSET	LOCATION
SS-12-A2	1/16	1	1 1/16"	NW



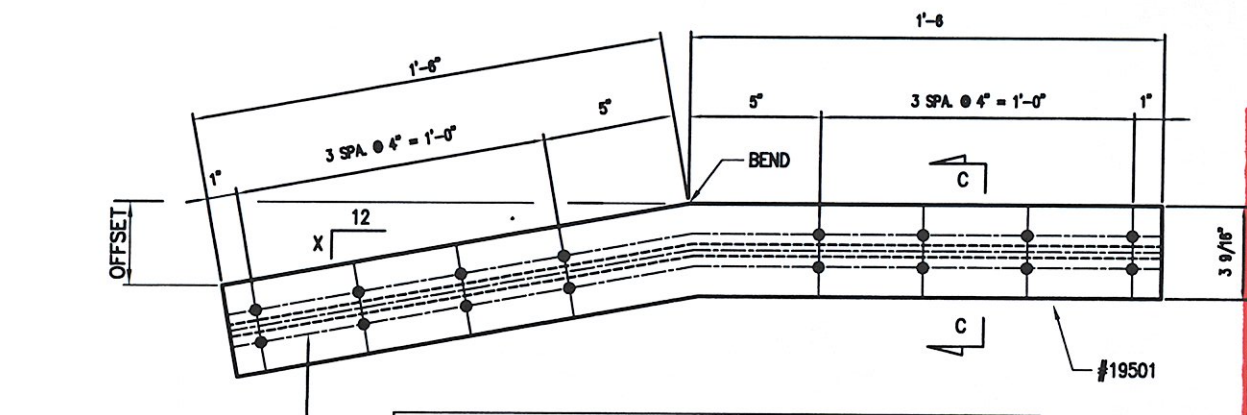
14 ~ REQ'D SPLICE SLEEVES SS-03-G
(WHEN RAIL/NE APPROACH)



7 ~ REQ'D SPLICE SLEEVES SS-12-A
(WHEN RAIL/NE APPROACH)



BARRIER RAIL SPLICES				
MK.	X	QTY.	OFFSET	LOCATION
SS-03-H1	1/16	1	1/16"	NW
SS-03-H3	1/8	1	1/8"	NW



BARRIER RAIL SPLICES				
MK.	X	QTY.	OFFSET	LOCATION
SS-03-G2	1/8	1	3/16"	NW
SS-03-G3	1/16	1	1/8"	NW

SHOP DRAWING REVIEW

REVIEWED AS REQUIRED BY THE CONSTRUCTION CONTRACT DOCUMENTS AND APPROVED, BUT ONLY FOR COMPLIANCE TO THE DESIGN CONCEPT OF THE WORK, AND SUBJECT TO FURTHER LIMITATIONS AND REQUIREMENTS CONTAINED IN THE CONSTRUCTION CONTRACT DOCUMENTS.

REJECTED REVISE AND RESUBMIT FURNISH AS CORRECTED

NOT ANODIZED

VHB Virginia Hengen Reynolds, Inc.
10000 Parkersburg, VA 24151
Tel: 800-878-7878 Fax: 800-878-7878
www.vhb.com

Job Number: 51296
Reviewed by: L. GARDNER
Date: 3/15/07

BRIDGE No. 50
PROJECT No. BHF 020-2 (32) ITEM No. 621.74

APPROVED: _____ DATE: _____
REVIS APPROVAL: _____

L.B. FOSTER COMPANY
1010 GREENBERRY ROAD
PITTSBURGH, PENNSYLVANIA 15220

FOR: A. D. ROSSI CORPORATION
VERMONT AGENCY OF TRANSPORTATION
TOWN OF WOODSTOCK, COUNTY OF WINDSOR
12-LINE SHIELD ALUM. BRIDGE BIL FOR US RR 4 OVER THE
OTTAWAQUECHEE RIVER - SPLICE DETAILS

DATE: CMS DATE 01/21/07 JOB No. AR0361
CHECKED: DATE 01/28/07 DRAWING LB15

REV.	DESCRIPTION	DATE
1	REVISED PER EXTRUSION	02/28/07