

SHOP DRAWING REVIEW

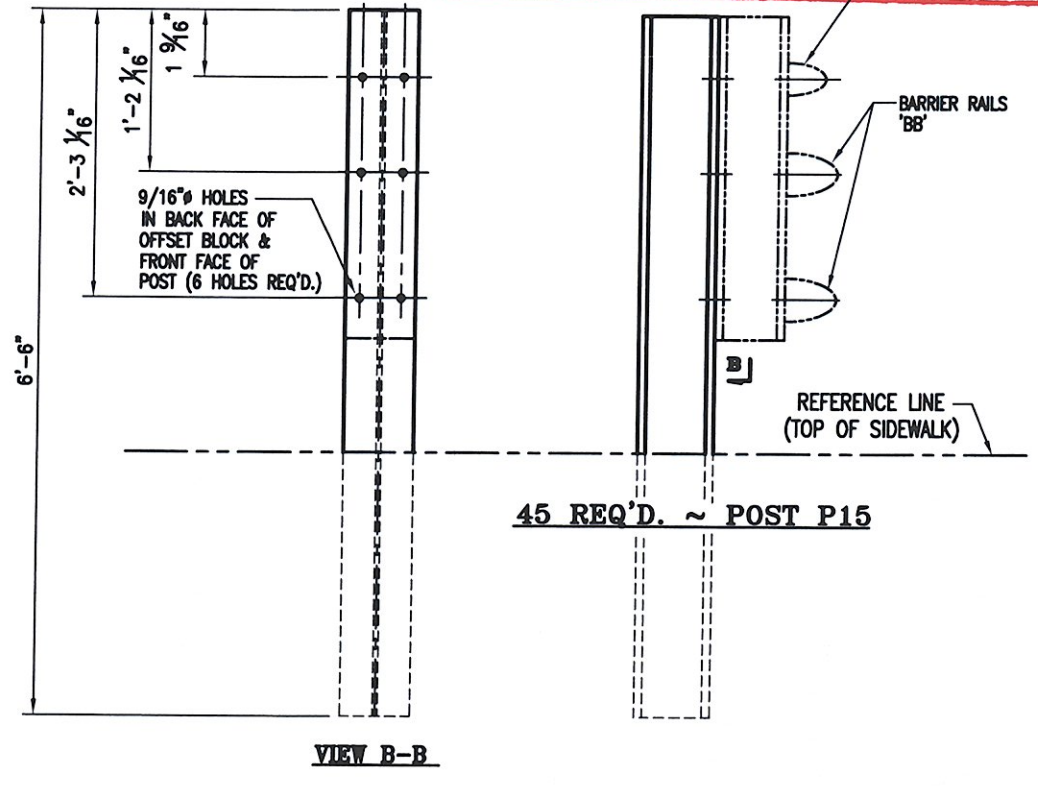
REVIEWED AS REQUIRED BY THE CONSTRUCTION CONTRACT DOCUMENTS AND APPROVED, BUT ONLY FOR PERFORMANCE TO THE DESIGN CONCEPT OF THE WORK, AND SUBJECT TO FURTHER LIMITATIONS AND REQUIREMENTS CONTAINED IN THE CONSTRUCTION CONTRACT DOCUMENTS.

REJECTED REVISE AND RESUBMIT FURNISH AS CORRECTED

CORRECTIONS OR COMMENTS MADE ON THE SHOP DRAWINGS DURING THIS REVIEW DO NOT RELIEVE CONTRACTOR FROM COMPLIANCE WITH REQUIREMENTS OF THE DRAWINGS AND SPECIFICATIONS. THIS CHECK IS ONLY FOR REVIEW OF GENERAL CONFORMANCE WITH THE DESIGN CONCEPT OF THE PROJECT AND GENERAL COMPLIANCE WITH THE INFORMATION GIVEN IN THE CONTRACT DOCUMENTS. THE CONTRACTOR IS RESPONSIBLE FOR CONFIRMING AND CORRELATING ALL QUANTITIES AND DIMENSIONS; SELECTING FABRICATION PROCESSES AND TECHNIQUES OF CONSTRUCTION; COORDINATING HIS WORK WITH THAT OF ALL OTHER TRADES; AND PERFORMING HIS WORK IN A SAFE AND SATISFACTORY MANNER.

VHB Vermont Hangan Brantley, Inc.
Engineers, Planners, and Scientists
5th Stafford Farms, Killam Rd.
Bedford, NH 03110 603 664 0200

Job Number: 5196
Reviewed By: L. GARDNER
Date: 3/15/07



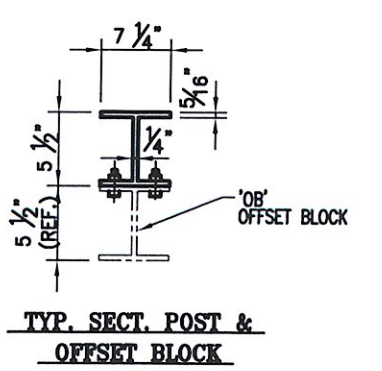
ANODIZED
(SEE NOTES ON L&O)

**POST DETAIL CHART FOR NW APPROACH
@ SIDEWALK CONDITION**

POST No.	QTY.	OFFSET BLOCK MTG. DIMENSIONS							BEV
		A	B	C	D	E	F (O.C.)	G (O.C.)	
P8L	1	1 3/4"	1'-1 3/16"	2'-1 3/4"	3/8"	1 3/8"	3'-4 7/8"	6'-8"	11/16"
P9L	1	1 3/4"	11 1/2"	1'-11 7/16"	3/8"	1 3/8"	3'-2 13/16"	6'-6"	11/16"
P10L	1	1 3/4"	9 3/4"	1'-9 1/16"	3/8"	1 3/8"	3'-0 11/16"	6'-8"	11/16"
P11L	1	1 3/4"	8 1/16"	1'-6 3/4"	3/8"	1 3/8"	2'-10 5/8"	6'-6"	11/16"
P12L	1	2 1/16"	11 7/8"		1/16"	1 15/16"	2'-4 1/4"	6'-0"	1/8"
P13L	1	2 1/16"	11"		1/16"	1 15/16"	2'-3 3/4"	6'-0"	1/8"
P14L	1	2 1/16"	10 1/8"		1/16"	1 15/16"	2'-3 1/4"	6'-0"	1/8"

NOTE:
2 CLAMPING BARS CB-01-H (#28598) PER POSTS P8-P11
4 CLAMPING BARS CB-03-A (#19447) PER POSTS P12-P14
w/ 1/2" x 13 UNC S.S. BOLT x 1" LG. 'FB1', 1 1/16" O.D. x 17/32" I.D. x 3/32" THK. ALUM WASHER 'FW1' (#15280 & # 19404) (16 PER POST)

NOTE:
4 CLAMPING BARS CB-03-A (#19447) PER POSTS P12-P14
w/ 1/2" x 13 UNC S.S. BOLT x 25 (1") LG. 'FB1', 27 (1 1/16") O.D. x 13 (17/32") I.D. x 2 (3/32") THK. ALUM WASHER 'FW1' (#15280 & # 19404) (8 PER POST)



BRIDGE No. 50
PROJECT No. BH# 020-2 (32) ITEM No. 621.74

APPROVED: _____
L.B. FOSTER COMPANY
1018 ORIENTREE ROAD
PITTSBURGH, PENNSYLVANIA 15220

FOR: A. D. ROSSI CORPORATION
VERMONT AGENCY OF TRANSPORTATION
TOWN OF WOODSTOCK, COUNTY OF WINDSOR

REV.	DESCRIPTION	BY	DATE	CHKD.	DATE	MADE	CMS	DATE	CUST. No.	REV. No.
1	GENERAL REVISION PER APPROVER COMMENTS		02/07			01/20/07	AR0361			ONE
2						01/28/07	LR13			