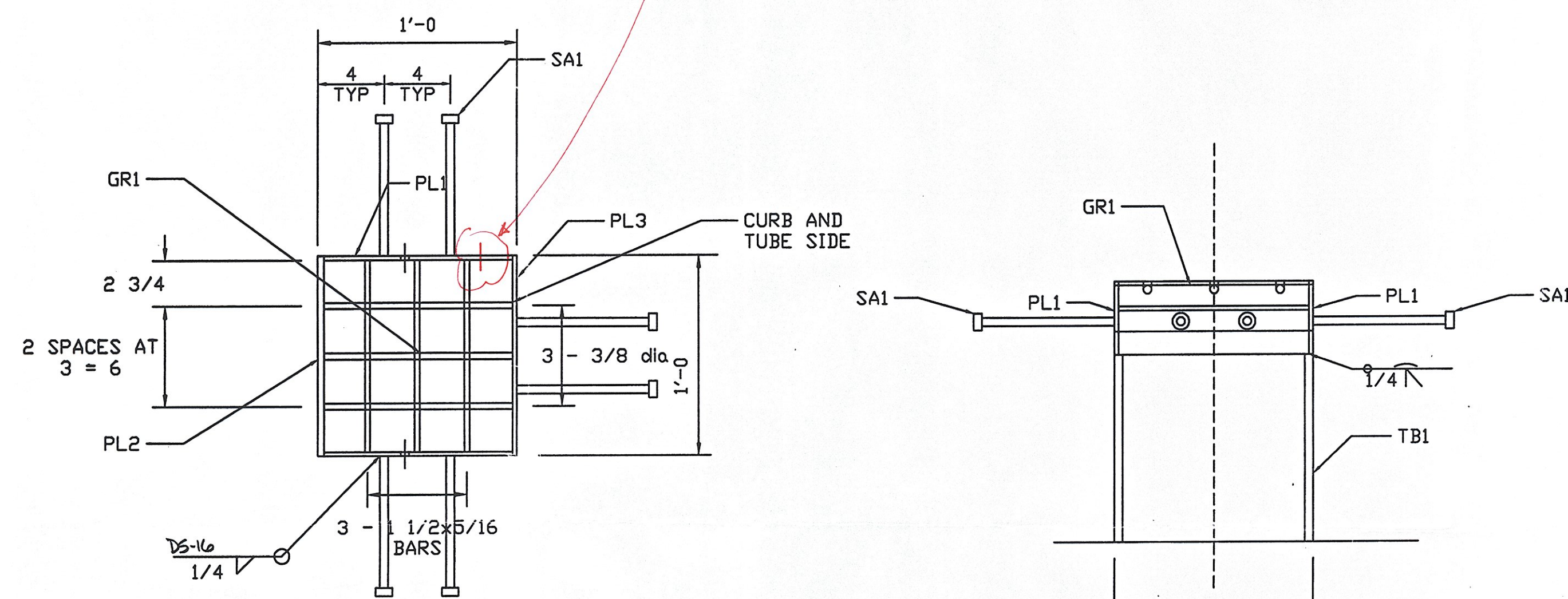
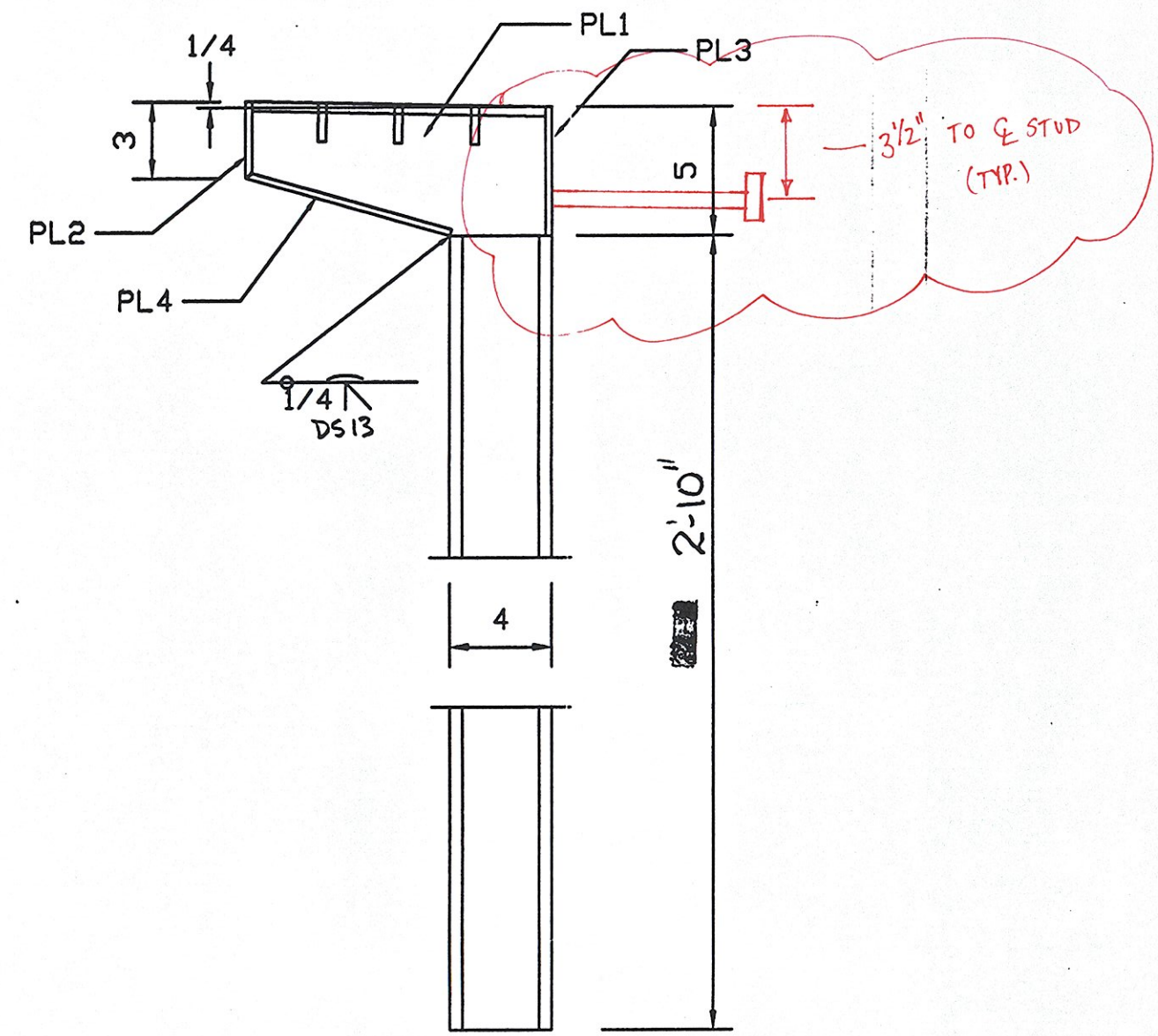


PL1 DETAIL



SCUPPER DETAIL



BILL OF MATERIALS

QTY	MARK	SHAPE	LENGTH	REMARKS
6		SCUPPER		
6	GR1	Grate 3/8 dia bars and 1 1/2 x 5/16 11 3/4 x 11 3/4		
12	PL1	Plate 1/4 x 5 1/4	0'-11 1/2	
6	PL2	Plate 1/4 x 3	1'-0	
6	PL3	Plate 1/4 x 5	1'-0	
6	PL4	Plate 1/4 x 8 5/16	1'-0	
6	TB1	Tube 12 x 4 x 1/2	2'-10	
36	SA1	Studs 1/2 dia	0'-8	

NOTES

1. All downspout steel tubing shall be ASTM A-500.
2. All plates, bars and angles shall be AASHTO M183 (ASTM A36).
3. Scuppers shall be galvanized according to AASHTO M111 (ASTM A123) after fabrication.
4. Grating shall be a commercial heavy-duty grating with 1 1/2" x 5/16" bearing bars and 3/8" dia cross bars.

5. SEAL WELD ALL CONNECTIONS WHERE POSSIBLE

SHOP DRAWING REVIEW

REVIEWED AS REQUIRED BY THE CONSTRUCTION CONTRACT DOCUMENTS AND APPROVED, BUT ONLY FOR CONFORMANCE TO THE DESIGN CONCEPT OF THE WORK, AND SUBJECT TO FURTHER LIMITATIONS AND REQUIREMENTS CONTAINED IN THE CONSTRUCTION CONTRACT DOCUMENTS.

REJECTED REVISE AND RESUBMIT FURNISH AS CORRECTED

CORRECTIONS OR COMMENTS MADE ON THE SHOP DRAWINGS DURING THIS REVIEW DO NOT RELIEVE CONTRACTOR FROM COMPLIANCE WITH REQUIREMENTS OF THE DRAWINGS AND SPECIFICATIONS. THIS CHECK IS ONLY FOR REVIEW OF GENERAL CONFORMANCE WITH THE DESIGN CONCEPT OF THE PROJECT AND GENERAL COMPLIANCE WITH THE INFORMATION GIVEN IN THE CONTRACT DOCUMENTS. THE CONTRACTOR IS RESPONSIBLE FOR: CONFIRMING AND CORRELATING ALL QUANTITIES AND DIMENSIONS; SELECTING FABRICATION PROCESSES AND TECHNIQUES OF CONSTRUCTION; COORDINATING HIS WORK WITH THAT OF ALL OTHER TRADES; AND PERFORMING HIS WORK IN A SAFE AND SATISFACTORY MANNER.

VHB Versasse Hangen Brustlin, Inc.
Engineers, Planners, and Scientists
Six Bedford Farms, Kilton Rd.
Bedford, NH 03110 603 644 0888

Job Number: 51298
Reviewed By: L.J. GARDNER
Date: 3/22/07

REV NO.	DATE	DESCRIPTION
0	2-7-2007	SUBMITTED FOR APPROVAL

HOLES AS NOTED

MATERIAL: AASHTO M183 (ASTM A36)

FINISHING: GALVANIZED, AASHTO M111 (ASTM A123)

DRAWING COVERS

SCUPPER DETAILS

PROJECT	WOODSTOCK BHF 020-2(32)
LOCATION	US ROUTE 4 OVER OTTAUQUECHEE RIVER
ENGINEER	STATE OF VERMONT AGENCY OF TRANSPORTATION and VHB
CUSTOMER	T BUCK CONSTRUCTION

MERRIMACK SHEET METAL

119 HALL STREET
CONCORD NH 03301

Tel. 603.224.7766
Fax 603.224.7925

DRAWN BY: RL
CHECKED BY: JD
JOB NO: #1350
DWG NO: F1