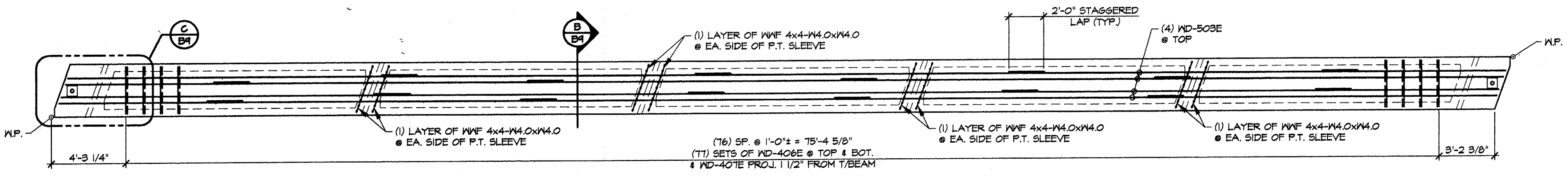
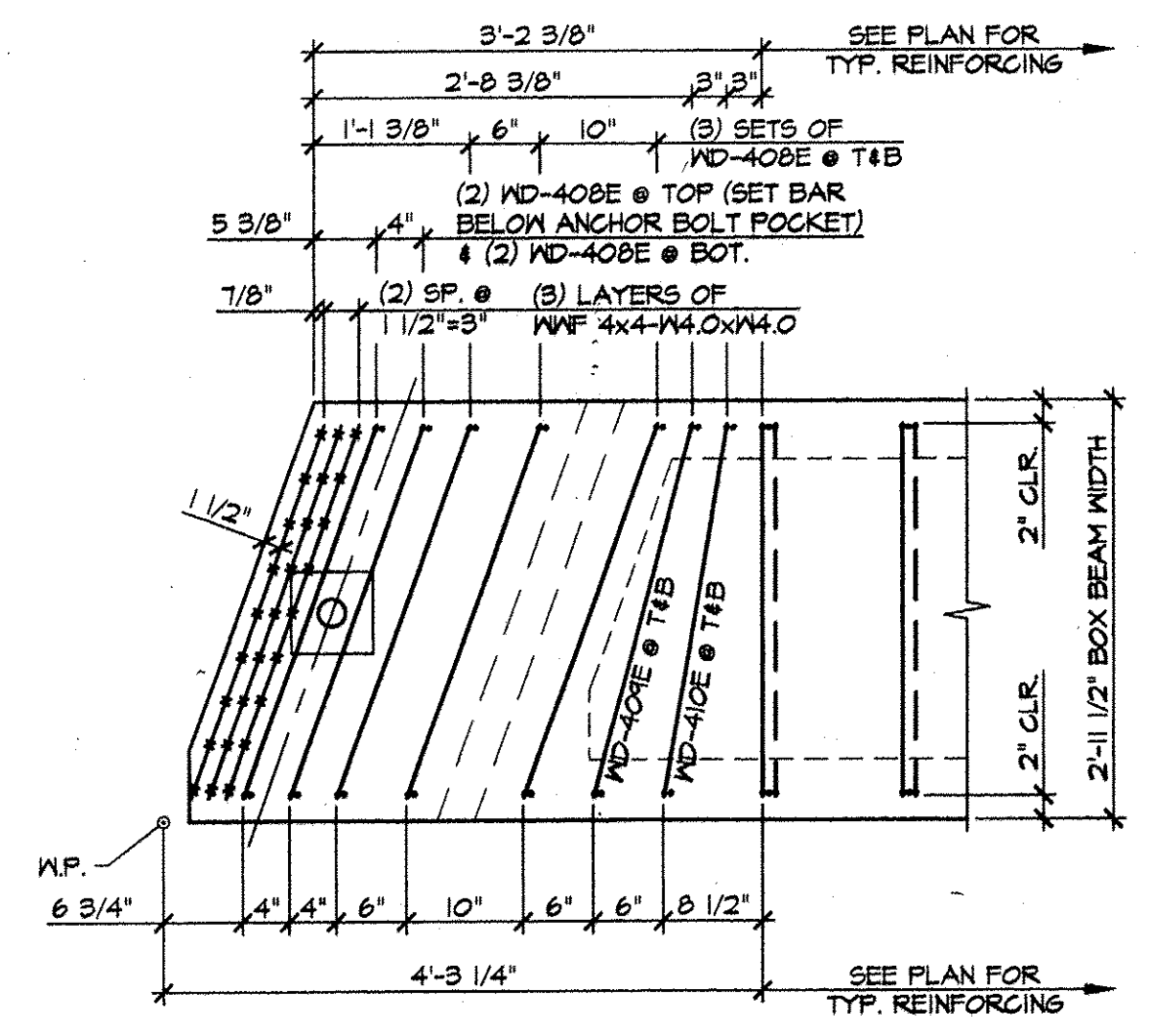


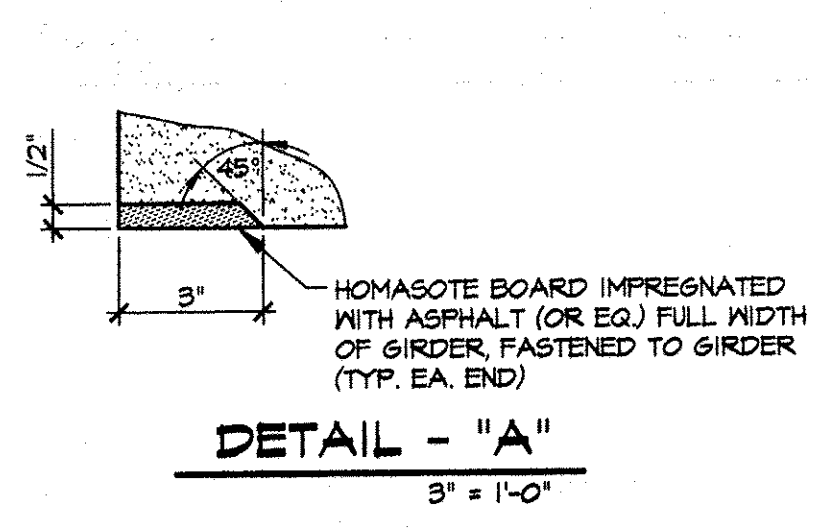
1 DIMENSIONAL PLAN VIEW IN FORM
B9
1/4" = 1'-0"



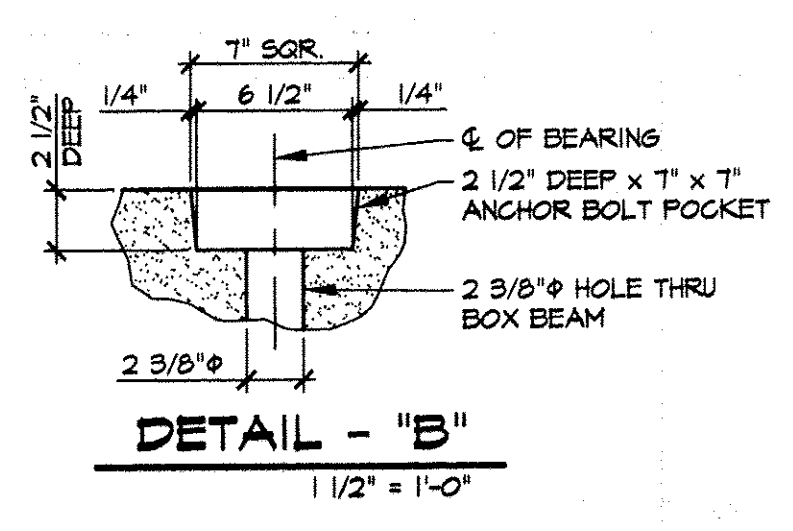
2 REINFORCING PLAN VIEW IN FORM
B9
1/4" = 1'-0"



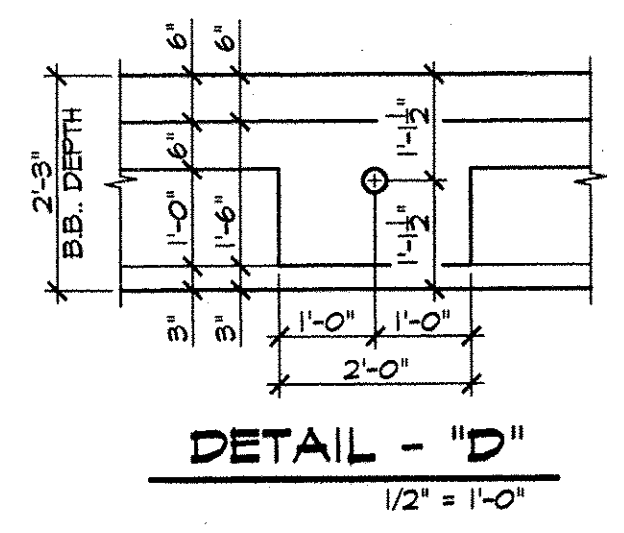
C END BLOCK REINFORCING PLAN
B9
3/4" = 1'-0"



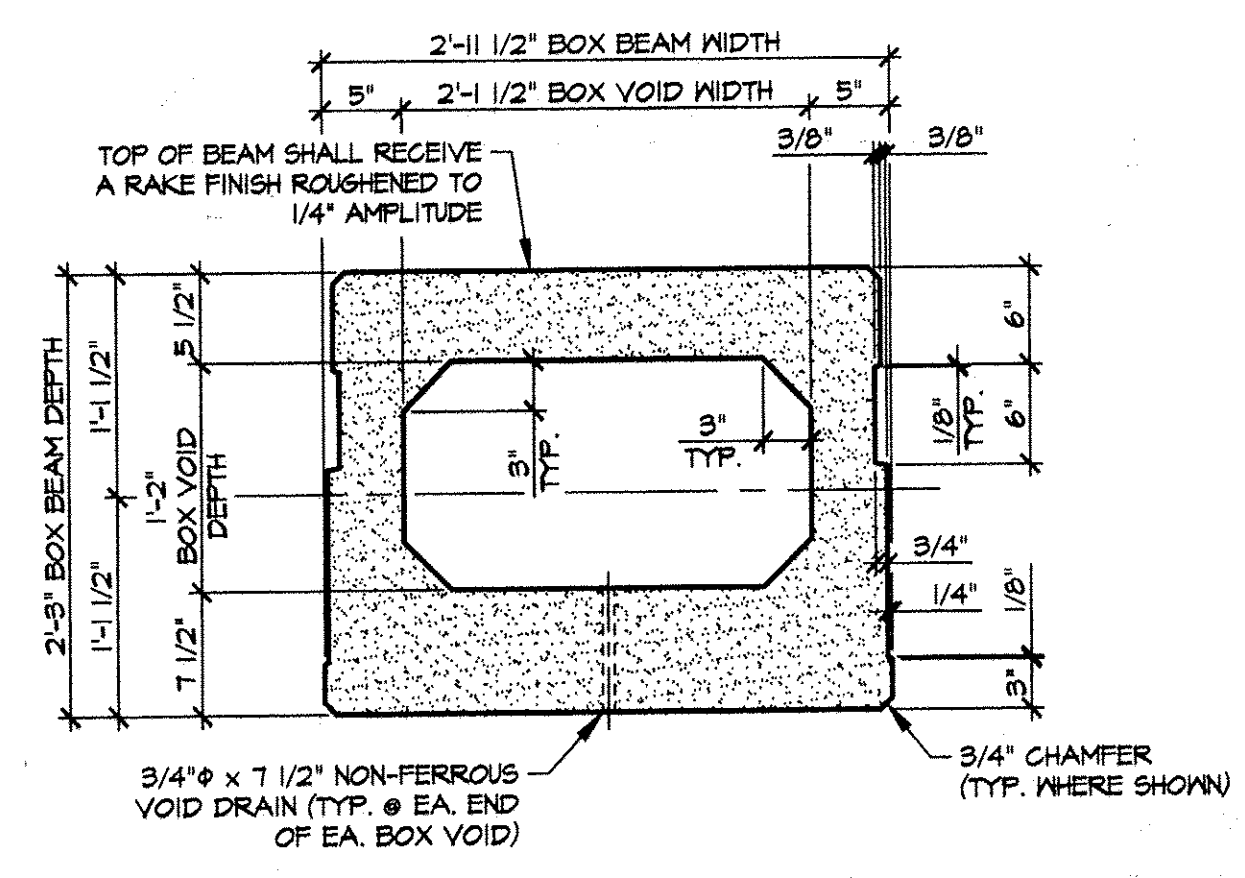
DETAIL - "A"
3" = 1'-0"



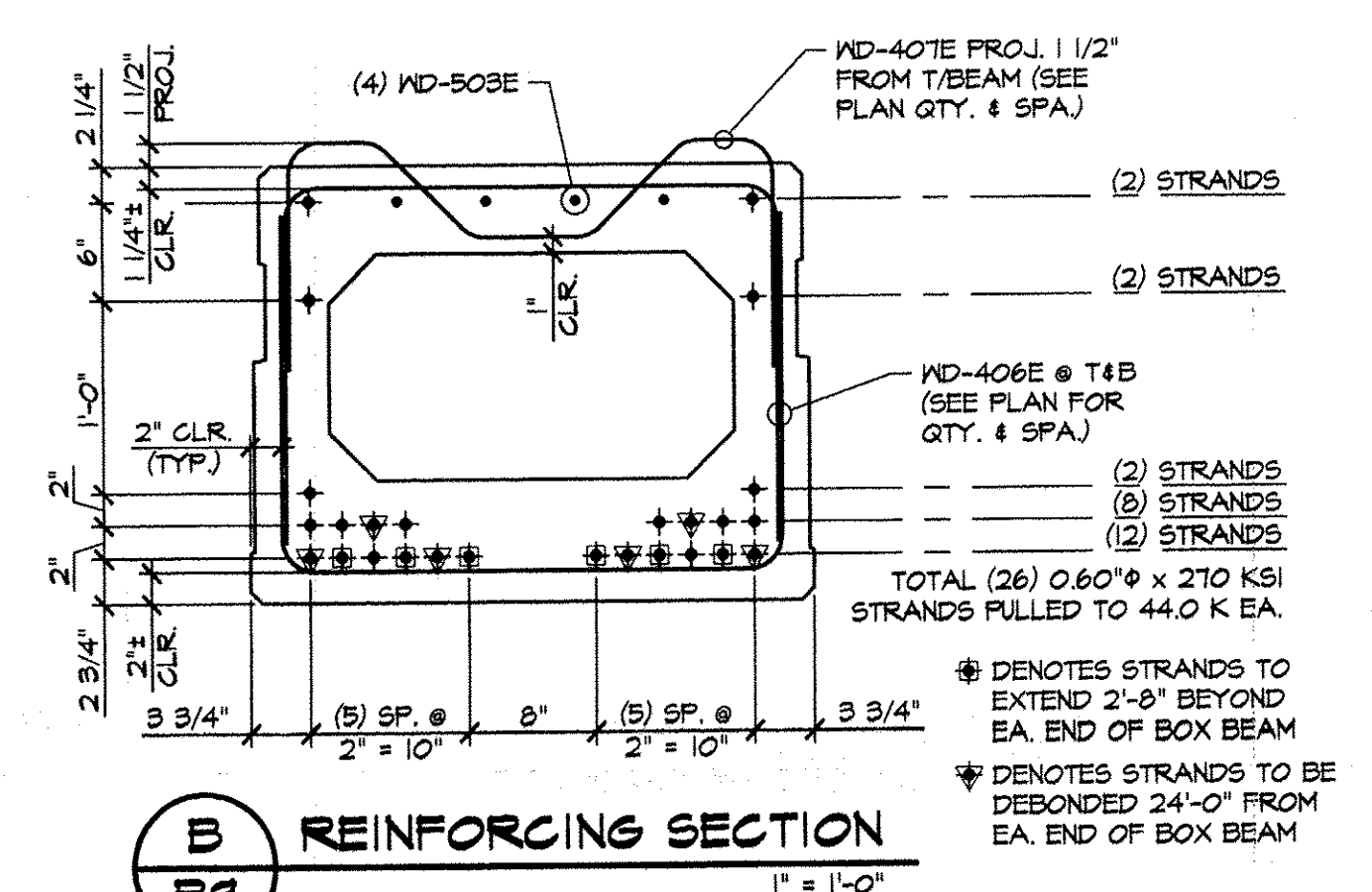
DETAIL - "B"
1 1/2" = 1'-0"



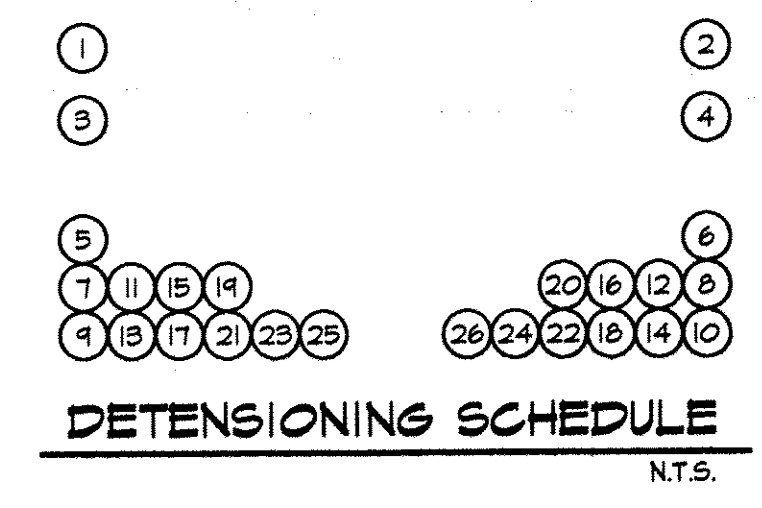
DETAIL - "D"
1/2" = 1'-0"



A DIMENSIONAL SECTION
B9
1" = 1'-0"



B REINFORCING SECTION
B9
1" = 1'-0"



DETENSIONING SCHEDULE
N.T.S.

MARK: WD-9 QTY.: 1 WT.: 21.15 T VOL.: 13.62 cy			
MATERIAL LIST / BEAM			
ITEM	MARK	DESCRIPTION	QTY.
1	406E	#4 BENT BAR (EPOXY COATED)	154
2	407E	#4 BENT BAR (EPOXY COATED)	71
3	408E	#4 BENT BAR (EPOXY COATED)	20
4	409E	#4 BENT BAR (EPOXY COATED)	4
5	410E	#4 BENT BAR (EPOXY COATED)	4
6			
7			
8			
9	508E	#5 x 82'-6" (E.C. W (4) 2'-0" STAGGERED LAPS)	4
10			
11		WWF 4x4-W4.0xW4.0 [1'-11 1/2" x 2'-9 1/2"]	14
12			
13			
14			
15			
16		2'-1 1/2" x 1'-2" x 14'-6 1/4" BOX VOID	1
17		2'-1 1/2" x 1'-2" x 15'-0" BOX VOID	4
18		3/4" x 7 1/2" NON-FERROUS VOID DRAIN	10
19		DOUBLE 1/2" STRAND LIFTING LOOPS	4
20			

2-15-07 REVISE BOX VOIDS & STRAND PATTERN

APPROVAL STAMP:

J.P. CARRARA & SONS INC.
Precast & Prestress Manufacturer
264 CASE STR., WOODSTOCK, VERMONT 05753 Phone: (802) 388-6361 Fax: (802) 388-9010

T. BUCK CONSTRUCTION, INC.
CONTRACTOR
AUBURN, MAINE

STATE OF VERMONT A.O.T.
COUNTY OF WINDSOR

TOWN OF WOODSTOCK
US ROUTE 4 OVER OTTAUQUECHEE RIVER
BRIDGE NO. 50 PROJECT NO. BHF 020-2(B2)

P/S BOX BEAM DETAILS

DATE: JAN. 9, 2007
SCALE: NOTED
CHKD: D.F. DFTM: B.L.
JOB NO: 23244-06
DWG. NO: B9