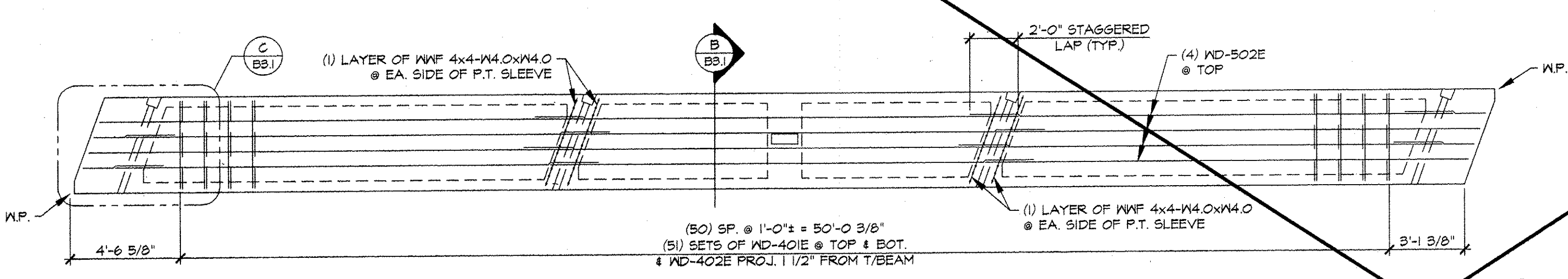
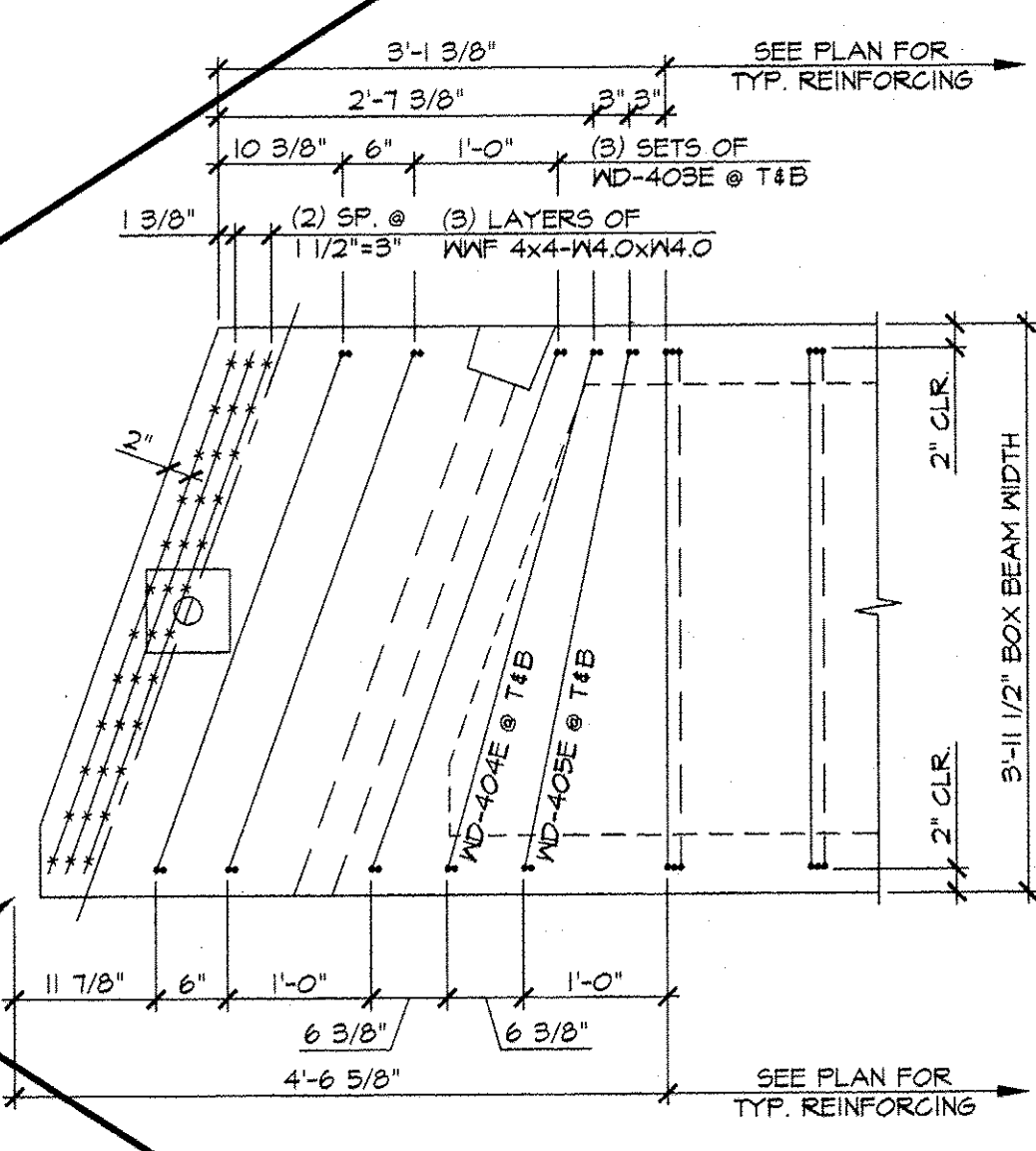


1 DIMENSIONAL PLAN VIEW IN FORM
B3.1 3/16" = 1'-0"

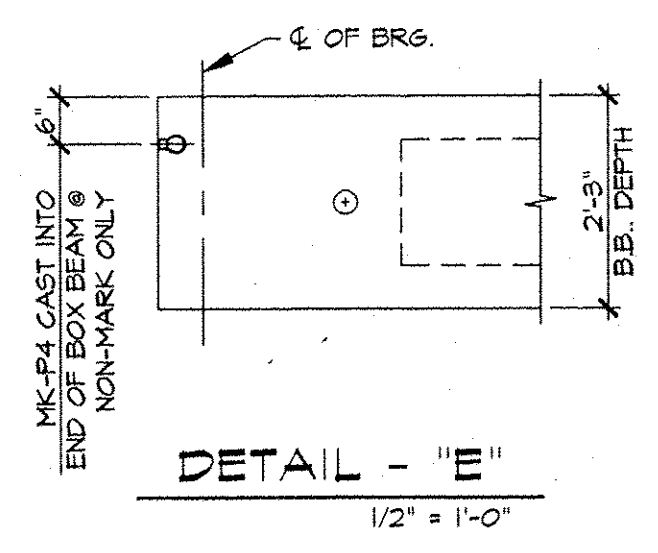


2 REINFORCING PLAN VIEW IN FORM
B3.1 1/4" = 1'-0"

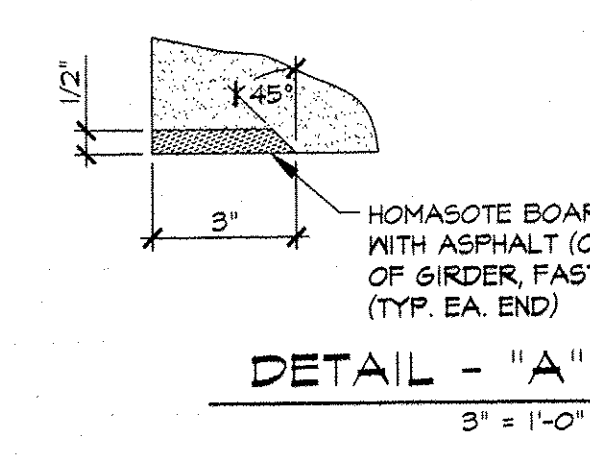
THIS SHEET HAS BEEN OMITTED



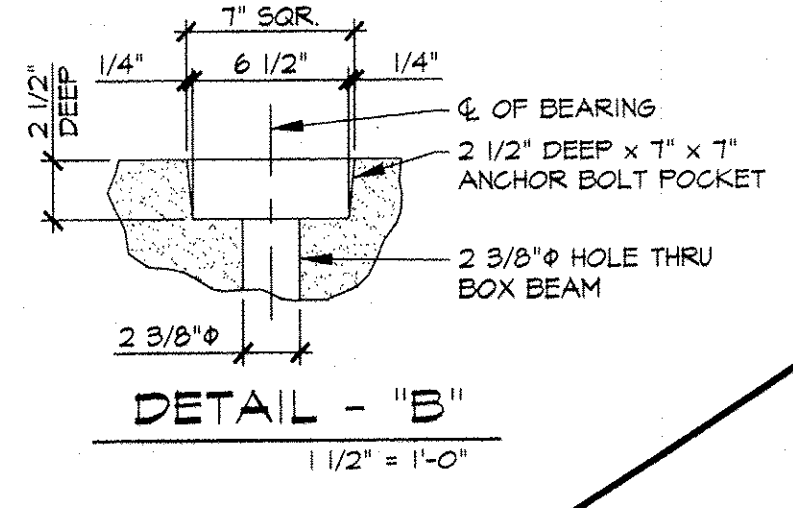
C END BLOCK REINFORCING PLAN
B3.1 3/4" = 1'-0"



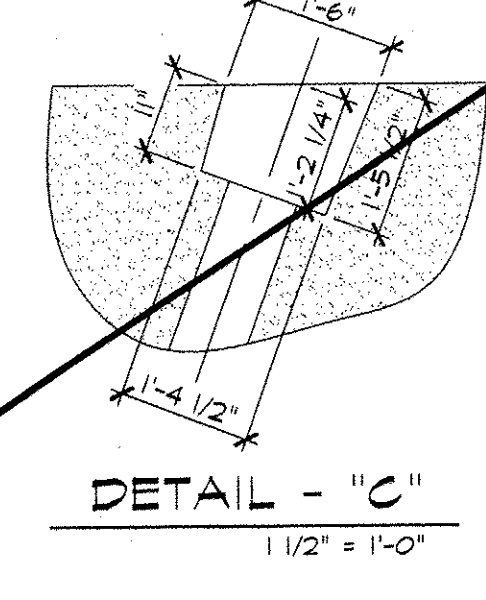
DETAIL - "E"
1/2" = 1'-0"



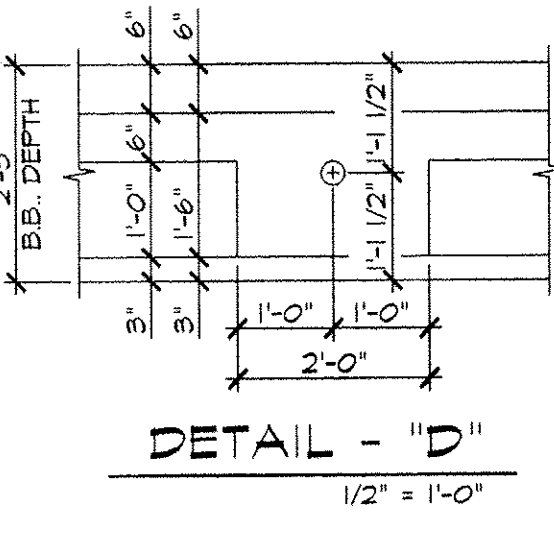
DETAIL - "A"
3" = 1'-0"



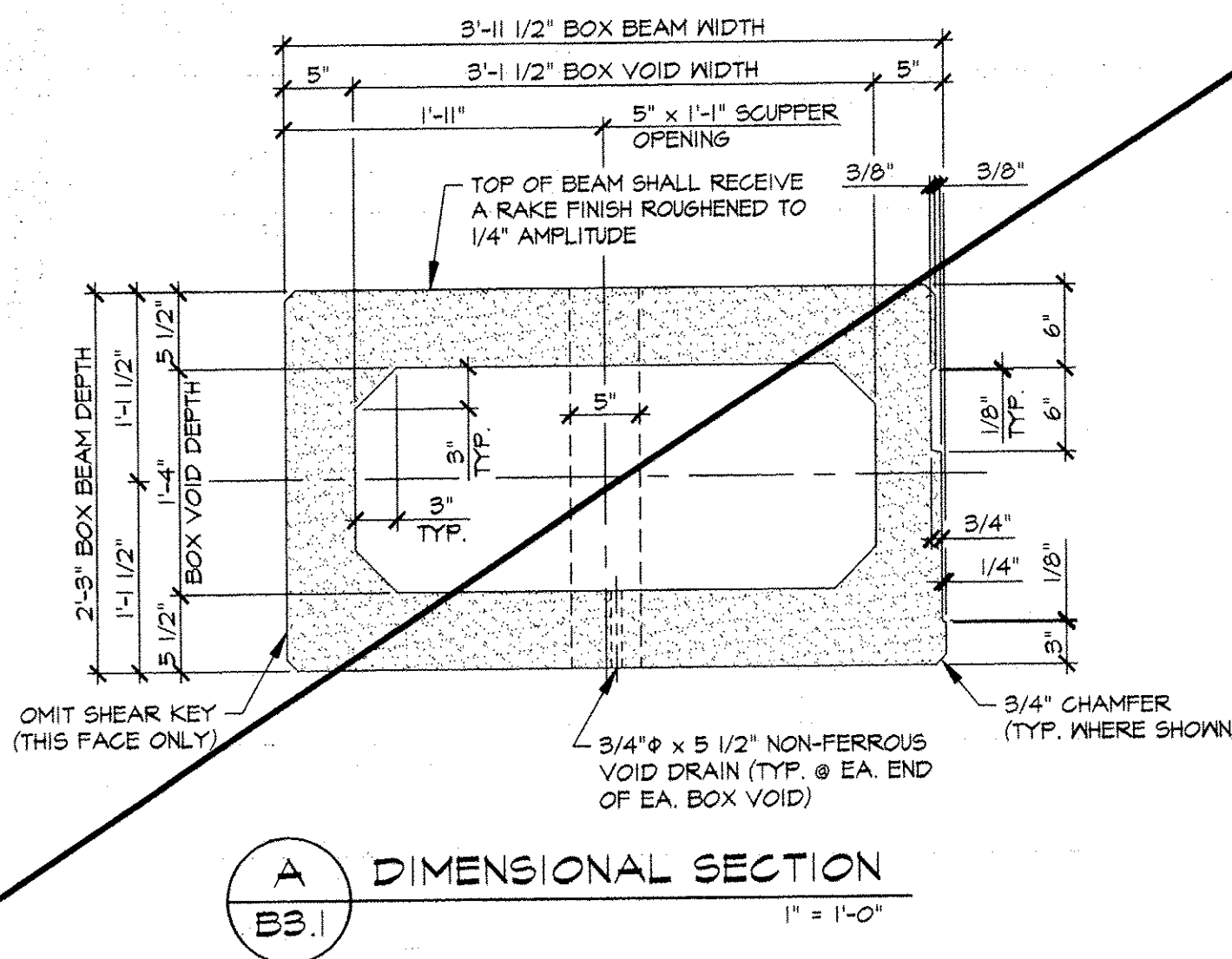
DETAIL - "B"
1 1/2" = 1'-0"



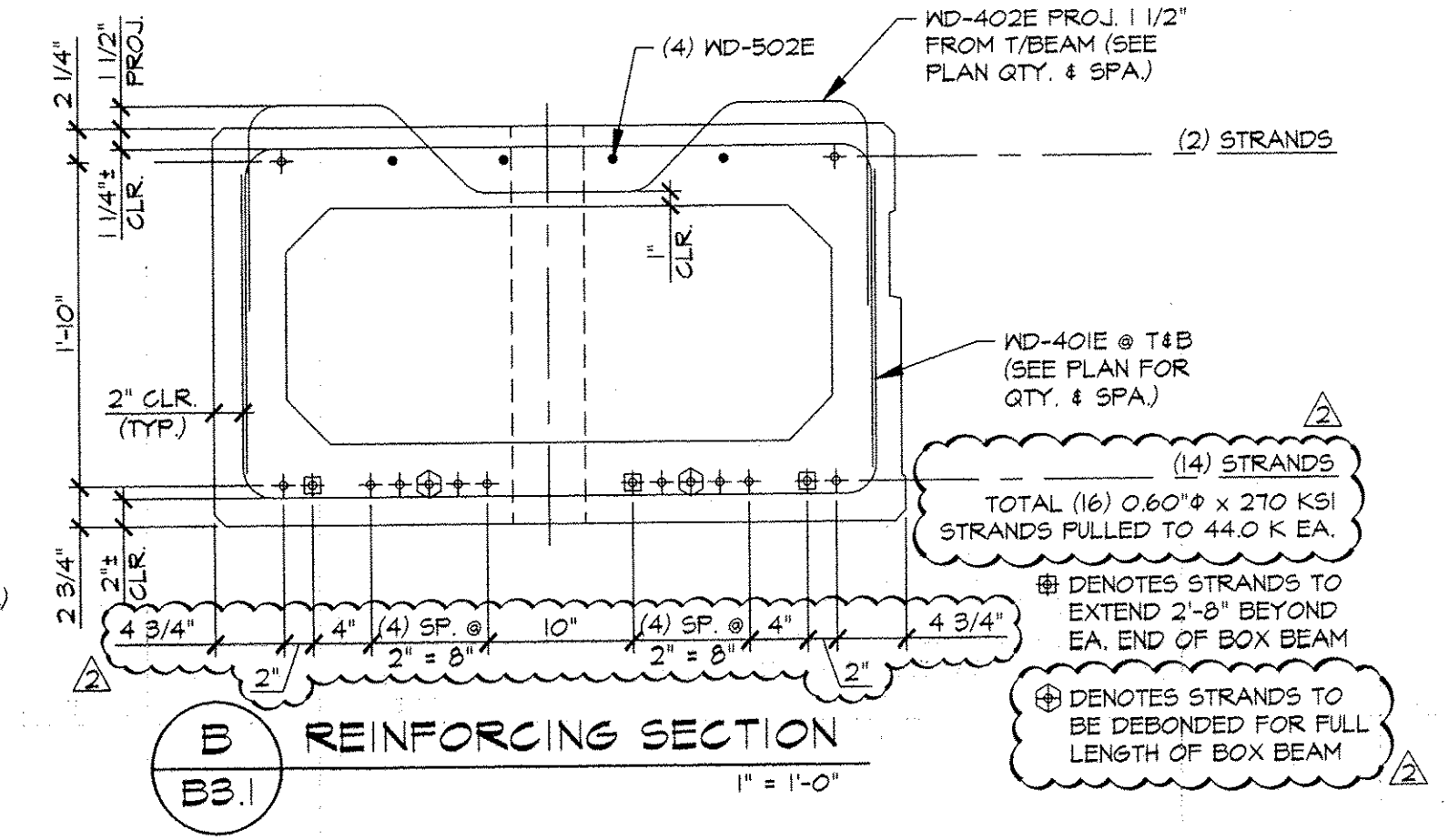
DETAIL - "C"
1 1/2" = 1'-0"



DETAIL - "D"
1/2" = 1'-0"



A DIMENSIONAL SECTION
B3.1 1" = 1'-0"



B REINFORCING SECTION
B3.1 1" = 1'-0"

3 9 7 4 11 13 15 16 14 12 10 8 6 4

DETENSIONING SCHEDULE
N.T.S.

- 4-11-01 THIS SHEET HAS BEEN OMITTED
- 3-20-01 REVISE STRAND PATTERN
- 2-13-01 REVISE BOX VOIDS

MARK: WD-2	QTY.: 1	WT.: 17.84 T	VOL.: 11.49 cy
MARK:	QTY.:	WT.:	VOL.:
MATERIAL LIST / BEAM			
ITEM	MARK	DESCRIPTION	QTY./BEAM
1	401E	#4 BENT BAR (EPOXY COATED)	102
2	402E	#4 BENT BAR (EPOXY COATED)	51
3	403E	#4 BENT BAR (EPOXY COATED)	12
4	404E	#4 BENT BAR (EPOXY COATED)	4
5	405E	#4 BENT BAR (EPOXY COATED)	4
6			
7			
8	502E	#5 x 57'-4" (E.C. W/ (3) 2'-0" STAGGERED LAPS)	4
9			
10		WVF 4x4-W4.0xW4.0 [1'-11 1/2" x 3'-10"]	10
11			
12			
13	MK-F4	DAYTON 1/2" Φ F-42 LOOP FERRULE INSERT (GALV)	1
14			
15		3'-1 1/2" x 1'-4" x 7'-4 7/8" BOX VOID	2
16		3'-1 1/2" x 1'-4" x 11'-6 3/8" BOX VOID	2
17		3/4" Φ x 5 1/2" NON-FERROUS VOID DRAIN	8
18		DOUBLE 1/2" Φ STRAND LIFTING LOOPS	4
19			

APPROVAL STAMP:

J.P. CARRARA & SONS INC. Precast & Prestress Manufacturer 2464 CASE STR., WOODSTOCK, VERMONT 05753 Phone: (802)388-6361 Fax: (802)388-9010		T. BUCK CONSTRUCTION, INC. CONTRACTOR AUBURN, MAINE	
STATE OF VERMONT A.O.T. COUNTY OF WINDSOR		DATE: JAN. 9, 2007 SCALE: NOTED	
TOWN OF WOODSTOCK US ROUTE 4 OVER OTTAUQUECHEE RIVER BRIDGE NO. 50 PROJECT NO. BHF 020-2(32)		CHKD: D.F. DFTM: B.L. JOB NO: 23244-06	
P/S BOX BEAM DETAILS		DWG. NO: B3.1	